

SALES AND ENGINEERING DATA

RATIO SERIES:	1:1
FLUID PSIG RANGE:	20 - 120

66615X-XXX-C THRU 66618X-XXX-C 1-1/2" METALLIC DIAPHRAGM PUMP



RELEASED: 1-10-97
REVISED: 3-10-23
(REV: J) S-879

SPECIFICATIONS

Model Serie	6661XX-XXX-C
Pump Type	Metallic, Air Operated, Double Diaphragm
Ratio	1:1
Material Inlet / Outlet (female)	
66615X-X-C and 66616X-X-C....	1-1/2 - 11-1/2 NPTF - 1
66617X-X-C and 66618X-X-C....	1-1/2 - 11 BSP
6661LE-XXX-C.....	1.5" HYBRID ANSI / DIN / JIS RF FLANGE
Air Inlet (female)	1/2 - 14 NPTF - 1
Air Exhaust (female)	3/4 - 14 NPTF - 1
Weight	
Aluminum	51.54 lbs (23.4 kgs)
Cast Iron	79.54 lbs (36.1 kgs)
Stainless Steel.....	77.5 lbs (35.15 kgs)
Flange Model	88.73 lbs (40.25 kgs)
(add 23 lbs (10.4 kgs) for cast iron air motor section)	
Air Section Service Kit	637118-C
Fluid Section Service Kit	637124-XX
Composite PTFE Diaphragm Kit .	48496806

PERFORMANCE

Air Inlet Pressure Range	20 - 120 psig (1.4 - 8.3 bar)
Maximum Material Inlet Pressure	10 psig (0.69 bar)
Fluid Pressure Range	20 - 120 psig (1.4 - 8.3 bar)
Maximum Flow Rate (flooded inlet)	90 gpm (340.7 lpm)
Maximum Particle Size	1/4" dia. (6.4 mm)
Maximum Temperature Limits (diaphragm / ball / seat material)	
Acetal.....	-20° to 180° F (-29° to 82° C)
E.P.R	-60° to 280° F (-51° to 138° C)
Hytre ^l	-20 to 180° F (-29 to 82° C)
PVDF	10° to 200° F (-12° to 93° C)
Neoprene.....	0° to 200° F (-18° to 93° C)
Nitrile.....	10° to 180° F (-12° to 82° C)
Polypropylene	32° to 175° F (0° to 79° C)
Polyurethane	-10° to 150° F (-23° to 66° C)
PTFE	40° to 225° F (4° to 107° C)
Composite PTFE.....	14° to 194° F (-10° to 90° C)
Santoprene [®]	-40° to 225° F (-40° to 107° C)
Viton [®]	-40° to 350° F (-40° to 177° C)

Displacement / Cycle @ 100 psig	
Standard Diaphragm	0.64 gal. (2.42 lit.)
Composite PTFE Diaphragm ..	0.40 gal. (1.52 lit.)

Noise Level @ 70 psig - 60 cpm[Ⓛ] .80.5 dB(A)[Ⓛ]

Note:

- Ⓛ Tested with 350-568 muffler installed.
- Ⓛ The pump sound pressure level has been updated to an Equivalent Continuous Sound Level (LA_{eq}) to meet the intent of ANSI S1. 13-1971, CAGI-PNEUROP S5.1 using four microphone locations.

ACCESSORIES:

65010 Neoprene "O" Ring Air Motor Kit	66084-1 Air Line Connection Kit
65764 Viton "O" Ring Air Motor Kit	637155 Abrasion Resistant Conversion Kit

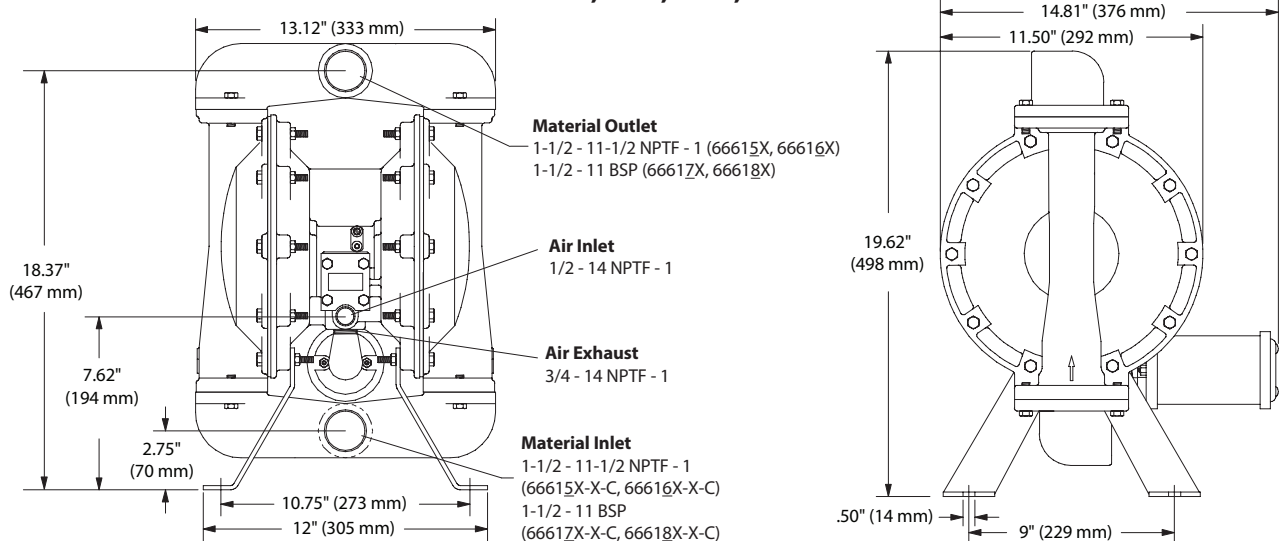
66615X - XXX - C
637124 - XX - C
Ball Material [□] Diaphragm Material

Example: Model 666150-361-C
Fluid Section Service Kit is 637124-61



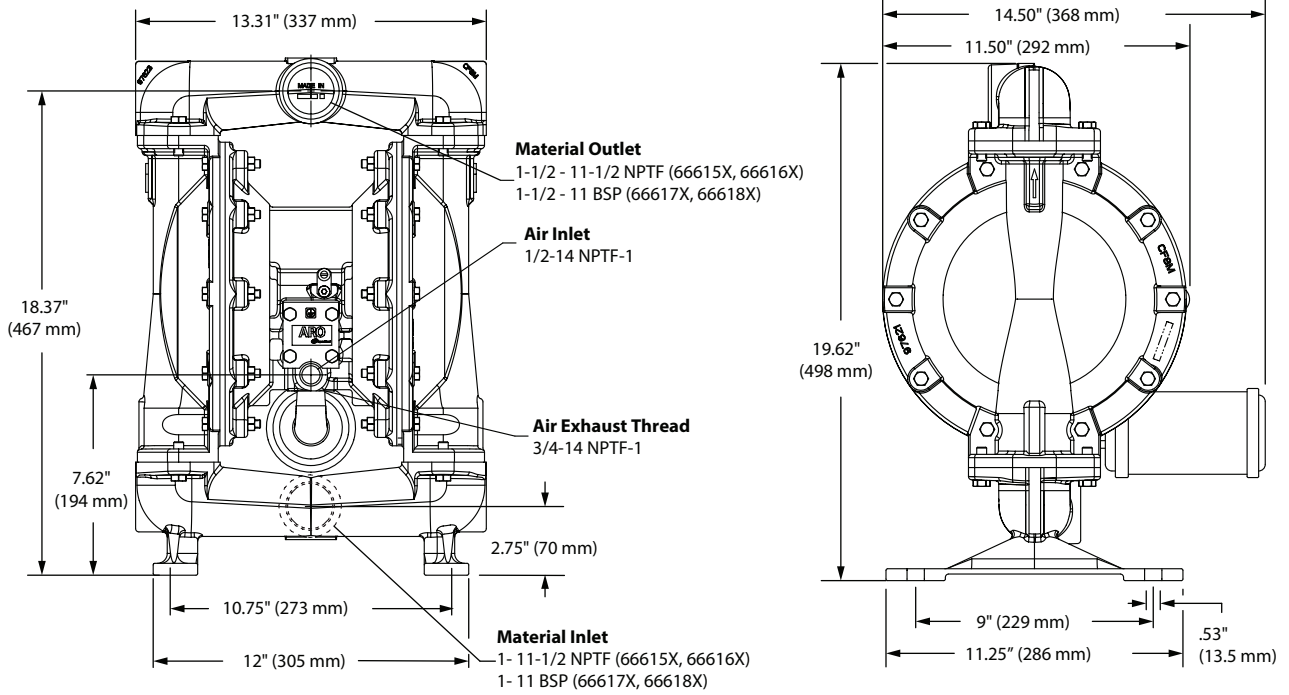
DIMENSIONAL DATA

6661X0, 1X2, 1XA, 1XC

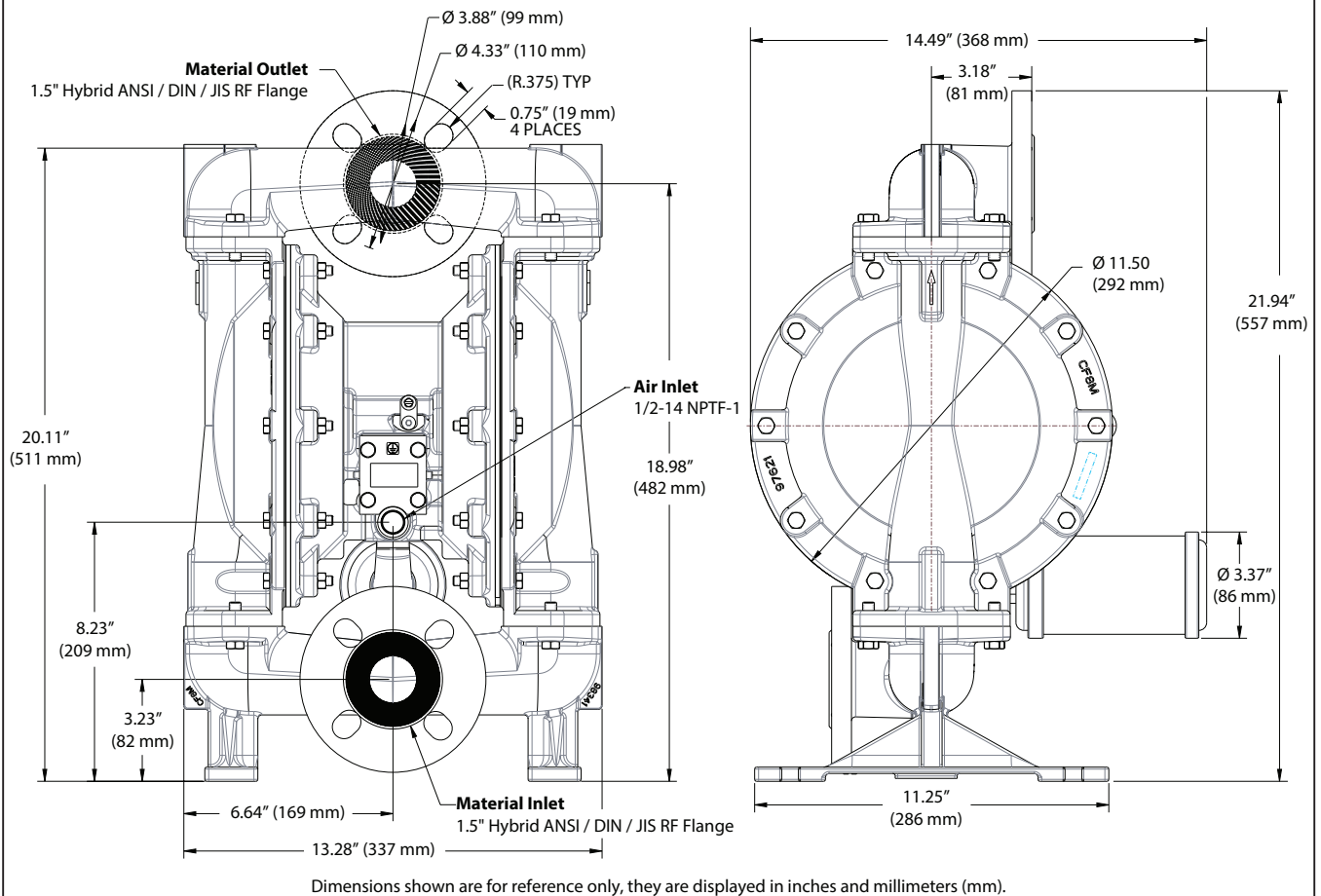


DIMENSIONAL DATA

6661X1, 1XB

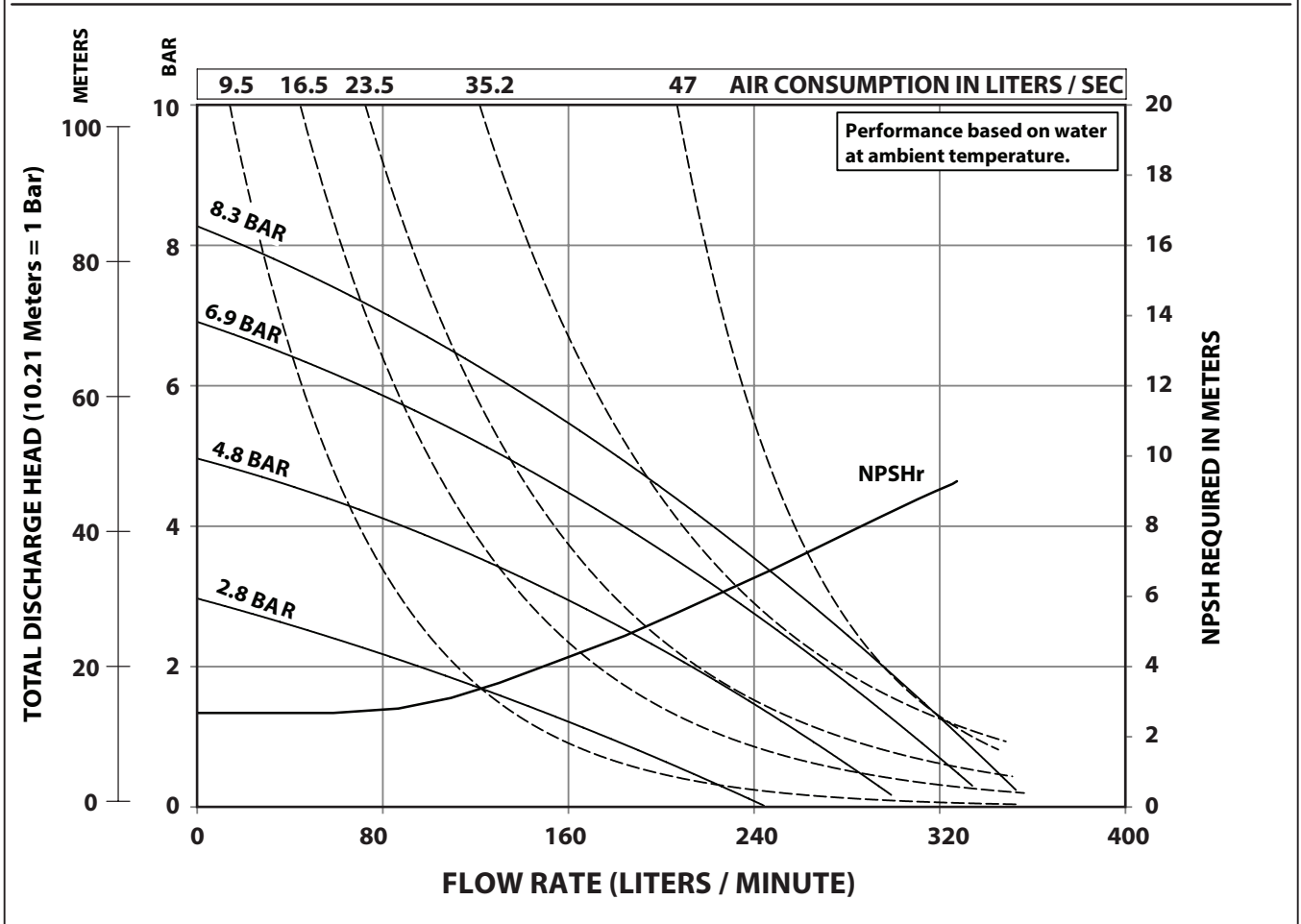
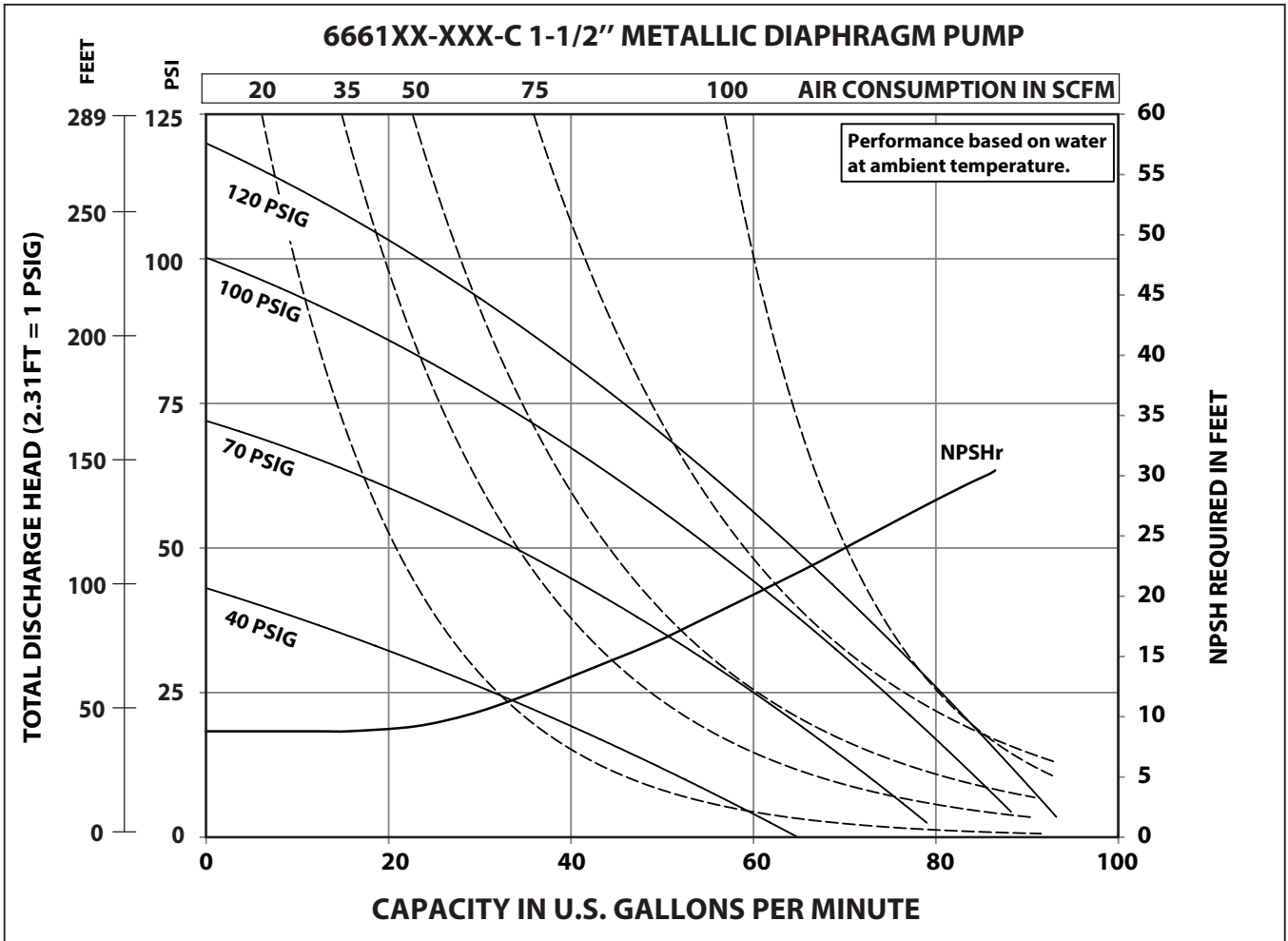


6661LE



PUMP SUPPLY
 INCORPORATED


PERFORMANCE CURVES



Illinois Location:
(847) 841-7867
860 Church Rd Elgin, IL 60120

Minnesota Location:
(651) 758-7867
330 Mill Bay South Suite
Afton, MN 55001

PumpSupplyInc.com



The complex block contains contact information for two locations. On the left, the Illinois location is listed with phone number (847) 841-7867 and address 860 Church Rd Elgin, IL 60120. Below it, the Minnesota location is listed with phone number (651) 758-7867 and address 330 Mill Bay South Suite, Afton, MN 55001. The website PumpSupplyInc.com is listed at the bottom left. On the right, there is a map showing the outlines of Illinois and Minnesota. A star is placed in the western part of Illinois, and another star is placed in the western part of Minnesota. Below the map is the Pump Supply Incorporated logo, which consists of a blue triangle containing the letters 'P' and 'S' in white, followed by the text 'PUMP SUPPLY' in a large, bold, sans-serif font, and 'INCORPORATED' in a smaller, spaced-out, sans-serif font below it.