

1-1/2" Metallic Models

PRO SERIES PUMPS



ARO® PRO 1-1/2" metallic diaphragm pumps achieve flow rates of up to 90 GPM (340.7 LPM) and offer a wide array of material and porting configurations. These pumps are often used for transfer, filling, recirculation and batching in Paint, Oil & Gas, Mining, Construction, Chemical and Petrochemical markets.

Ratio: 1:1
 Maximum Flow gpm (lpm): 90 (340.7)
 Displacement per cycle gal (l): .64 (2.42)
 Air Inlet (Female): 1/2 - 14 NPTF - 1
 Fluid Inlet/Outlet: 1-1/2 11-1/2 NPTF - 1
 Rp 1-1/2 (1-1/2 - 11 BSP parallel)
 Max. operating pressure psi (bar): 120 (8.3)
 Suspended solids max. dia in (mm): .25 (6.4)
 Weight lbs (kg):
 666150-X-C (aluminum) 51.5 (23.4)
 666151-X-C (stainless steel) 77.5 (35.2)
 666152-X-C (cast iron) 79.5 (36.1)
 Note: Add 23 (10.4) for cast iron air motor section
 Maximum dry suction lift ft (m): 19 (5.8)
 Sound Level: 70 PSI 60 Cycles/Min 80.5 db(A)



Ordering

Position	1	2		3	4	5		6
Example:	6661X	X	-	X	X	X	-	C

Position 1 Center Body	Position 2 Fluid Caps Manifold Material	Position 3 Seat Material	Position 4 Ball Check Material	Position 5 Diaphragm Material
5 - Aluminum, NPTF 6 - Cast Iron, NPTF 7 - Aluminum, BSP 8 - Cast Iron, BSP	0 - Aluminum (steel hardware) 1 - Stainless Steel (steel hardware) 2 - Cast Iron (steel hardware) A - Aluminum, (stainless hardware) B - Stainless Steel (stainless hardware) C - Cast Iron (stainless hardware)	1 - Aluminum 2 - 316 Stainless Steel 3 - Polypropylene 4 - PVDF 5 - Carbon Steel 8 - Hard 400 Stainless Steel	1 - Neoprene 2 - Nitrile 3 - Viton® 4 - PTFE 6 - Acetal 8 - Polyurethane A - Stainless Steel C - Hytrel® E - Santoprene®	1 - Neoprene 2 - Nitrile 3 - Viton® 4 - PTFE / Santoprene 9 - Hytrel® B - Santoprene®

Hytrel® is a registered trademark of DuPont company, Santoprene® is registered trademark of Monsanto and Viton® is a registered trademark of ExxonMobil

Accessories

Air Line Connection Kit* | 66084-1 (Piggyback Filter/Regulator with gauge, pipe nipple and 5-foot air hose)

Service Repair Kits | 637118-C (air section)
637124-XX (fluid section)

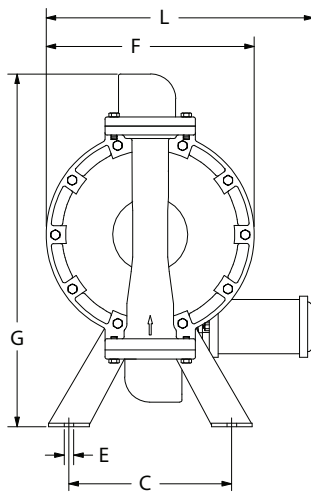
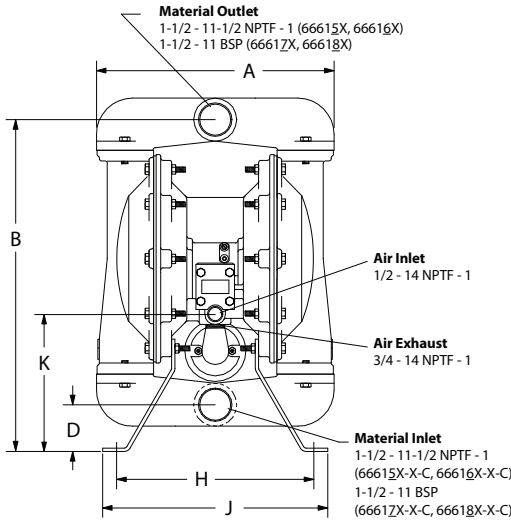
Wall Mount | 62133





1-1/2" Metallic Dimensions and Flow Charts

6661X0, 1X2, 1XA, & 1XC

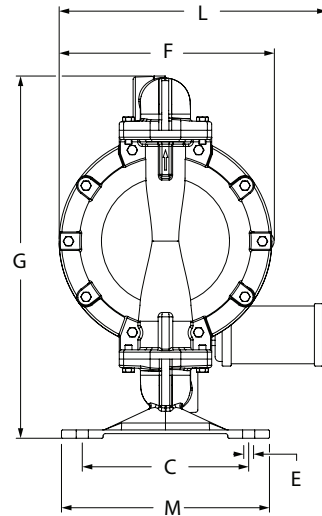
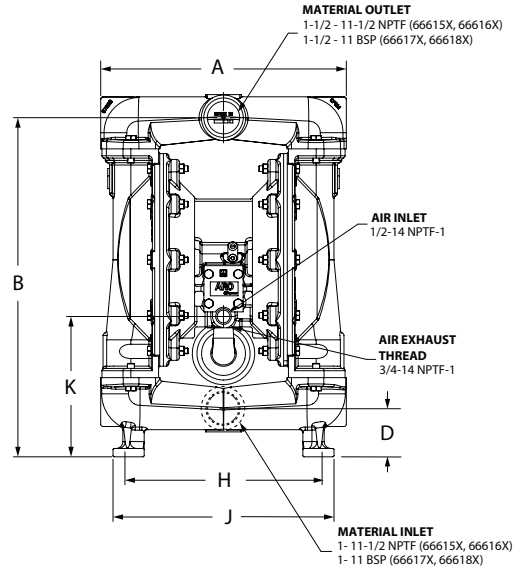


DIMENSIONS

- A - 13-1/8" (333 mm)
- B - 18-3/8" (467 mm)
- C - 9" (229 mm)
- D - 2-3/4" (70 mm)
- E - 1/2" (14 mm)
- F - 11-1/2" (292 mm)
- G - 19-5/8" (498 mm)
- H - 10-3/4" (273 mm)
- J - 12" (305 mm)
- K - 7-5/8" (194 mm)
- L - 14-13/16" (376 mm)

NOTE: Dimensions are shown in inches and (mm), supplied for reference only and are typically rounded up to the nearest 1/16 inch.

6661X1 & 1XB



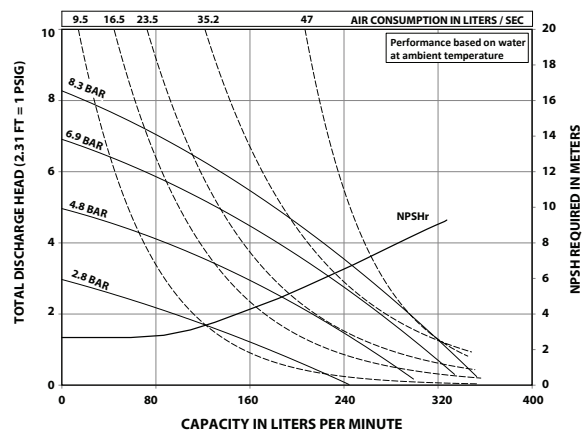
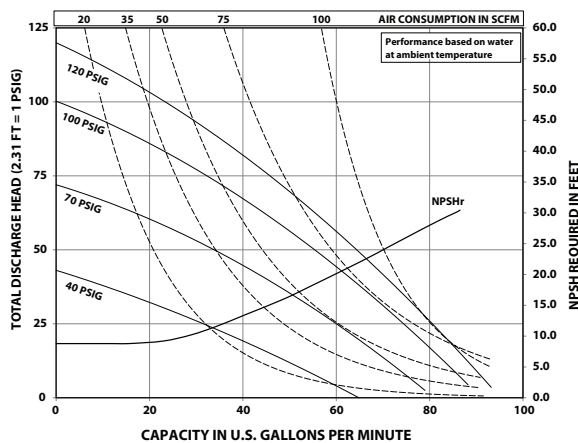
DIMENSIONS

- A - 13-5/16" (337 mm)
- B - 18-3/8" (467 mm)
- C - 9" (229 mm)
- D - 2-3/4" (70 mm)
- E - 17/32" (13.5 mm)
- F - 11-1/2" (292 mm)
- G - 19-5/8" (498 mm)
- H - 10-3/4" (273 mm)
- J - 12" (305 mm)
- K - 7-5/8" (194 mm)
- L - 14-1/2" (368 mm)
- M - 11-1/4" (286 mm)

NOTE: Dimensions are shown in inches and (mm), supplied for reference only and are typically rounded up to the nearest 1/16 inch.

PERFORMANCE CURVES

6661XX-XXX-C 1-1/2" METALLIC DIAPHRAGM PUMP



Performance based on an elastomeric fitted pump, flooded suction with water at ambient conditions. Due to varying materials of construction, assembly configurations and operating conditions, published data is for reference only.