

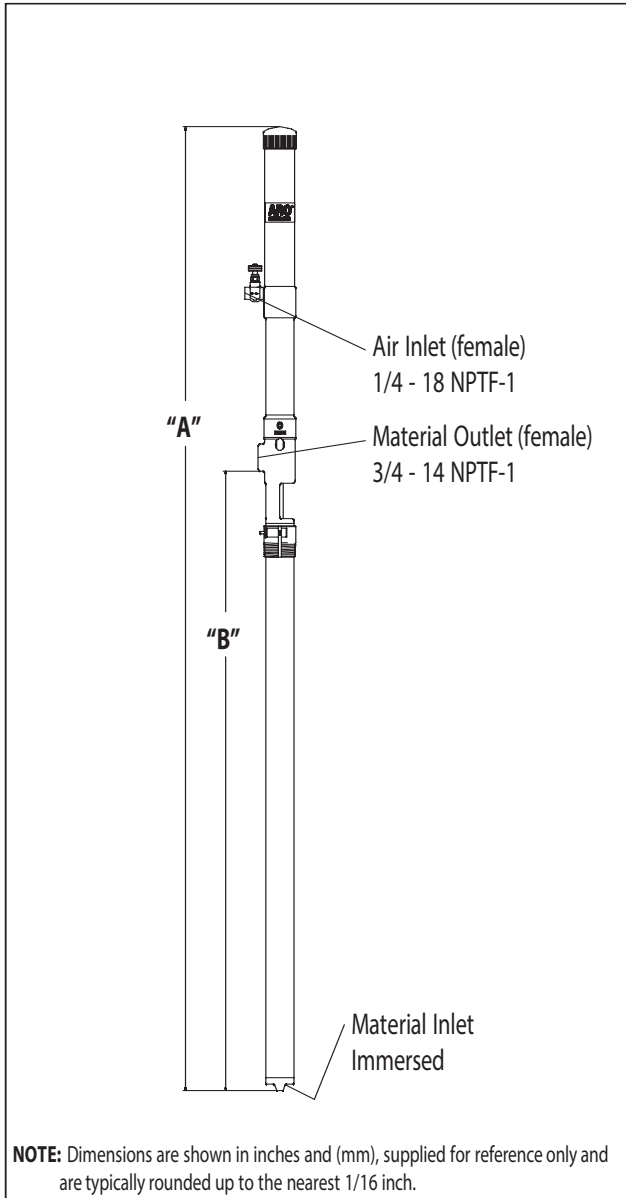
SALES AND ENGINEERING DATA

RATIO:	1:1
SERIES:	
FLUID PSIG:	0 - 150
RANGE:	

61204X-X TRANSFER PUMP

RELEASED: 2-6-02
 REVISED: 7-14-17
 (REV: D) S-990

DIMENSIONAL DATA



MODEL	"A" (mm)	"B" (mm)
612041-X	54" (1371.6)	34-5/8" (879.5)
612042-X	64-1/4" (1631.9)	44-7/8" (1139.8)

Illinois Location:

(847) 841-7867
 860 Church Rd Elgin, IL 60123

Minnesota Location:

(651) 758-7867
 330 Mill Bay South Suite 1511 Afton, MN 55001

PumpSupplyInc.com

SPECIFICATIONS

CONSTRUCTION

- Model Series (refer to option chart) 61204X-X
- Pump Type Air Operated, Transfer Pump
- Ratio 1:1
- Air Motor**
- Motor Repair Kit 637084
- Motor Diameter 2" (5.08 cm)
- Stroke 6" (15.24 cm)
- Air Inlet (female) 1/4 - 18 NPTF - 1
- Lower Pump End Series**
- Lower Pump Repair Kit
- 61204X-1 and -4 637081
- 612041-3 637083
- Material Inlet Immersed
- Material Outlet (female) 3/4 - 14 NPTF - 1

MATERIALS OF CONSTRUCTION

- Outlet Body Aluminium
- Cylinder Carbon Steel
- Plunger Carbon Steel
- Upper Packing**
- 61204X-1 and -4 Nitrile
- 612041-3 PTFE
- Lower Packing**
- 61204X-1 and -4 Nitrile
- 612041-3 PTFE
- Inlet Body Cast Iron
- Weight ... 612041-X 13 lbs (5.9 kgs)
- 612042-1 14 lbs (6.4 kgs)

PERFORMANCE

- Air Inlet Pressure Range 0 - 150 psig (0 - 10.3 bar)
- Fluid Pressure Range 0 - 150 psig (0 - 10.3 bar)
- Maximum Rec'd Cycles / Minute 75
- Displacement Per Cycle 18.8 In³ (308 cc)
- Cycles Per Gallon 12.3
- Flow @ 75 Cycles / Minute 6.1 gpm (23.1 lpm)
- Noise Level @ 60 psig - 40 cpm 77.8 dB(A)①

① The pump sound pressure level has been updated to an Equivalent Continuous Sound Level (LAeq) to meet the intent of ANSI S1. 13-1971, CAGI-PNEUROP S5.1 using four microphone locations.

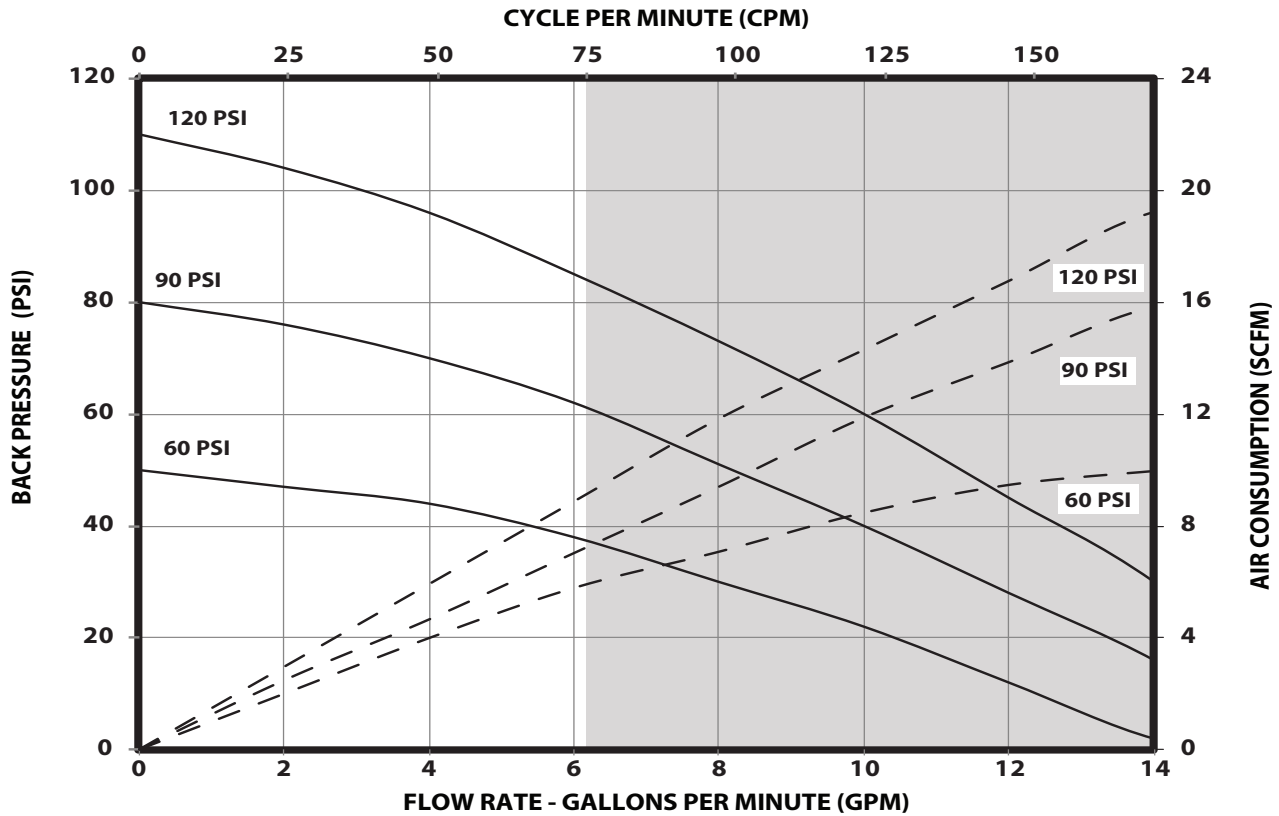
ACCESSORIES:

61113 Wall Mount Bracket



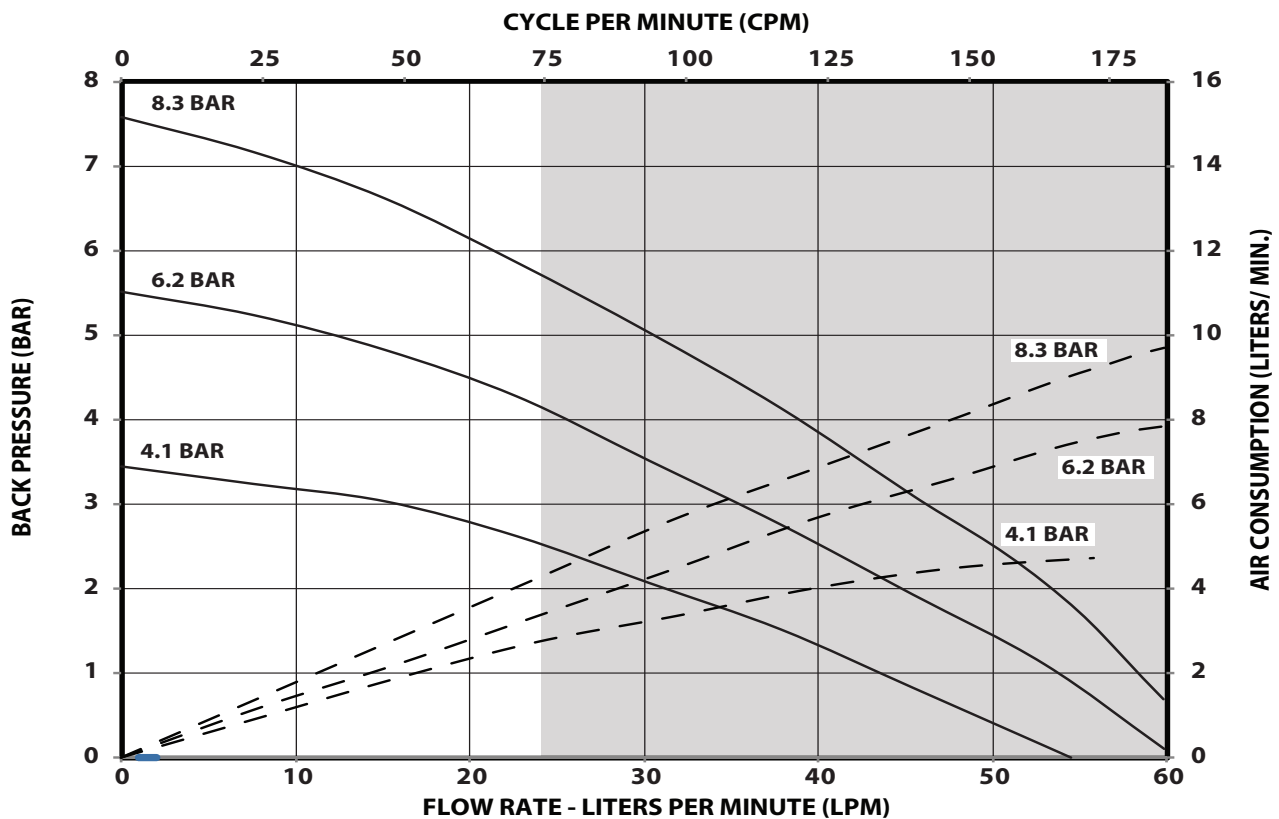
PERFORMANCE CURVES

PERFORMANCE BASED ON 30wt. OIL (100cSt) AT 40°C TEMPERATURE



NOTE: NON SHADED AREA OF THE GRAPH REPRESENTS RECOMMENDED OPERATING RANGE

PERFORMANCE BASED ON 30wt. OIL (100cSt) AT 40°C TEMPERATURE



NOTE: NON SHADED AREA OF THE GRAPH REPRESENTS RECOMMENDED OPERATING RANGE

