

Stainless Steel Centrifugal Pump



PUMP SUPPLY
INCORPORATED

Model 3U





Parts Reference

Illinois Location:
(847) 841-7867
860 Church Rd Elgin, IL 60120

Minnesota Location:
(651) 758-7867
330 Mill Bay South Suite 100
Afton, MN 55001

PumpSupplyInc.com

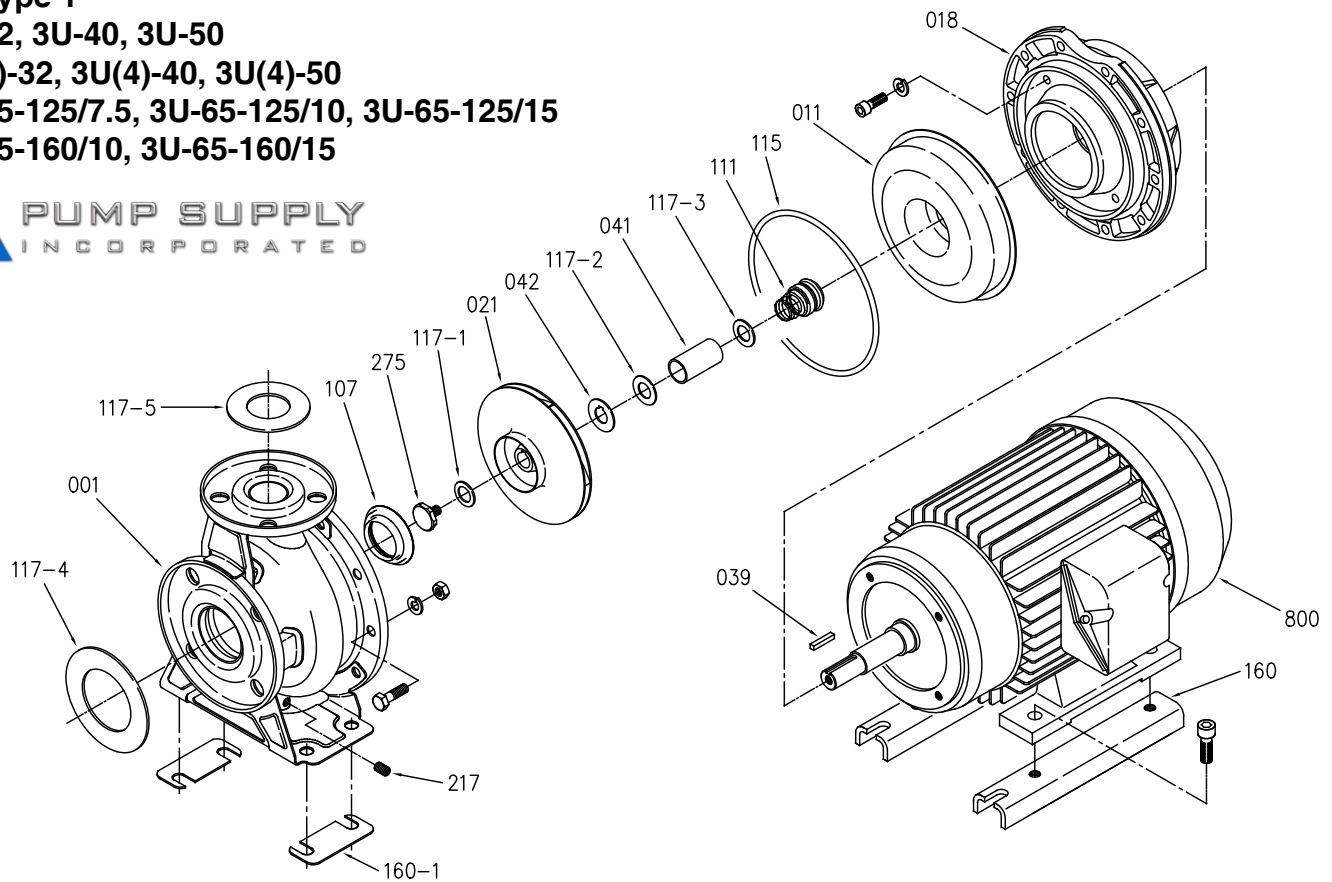



PUMP SUPPLY
INCORPORATED



EBARA

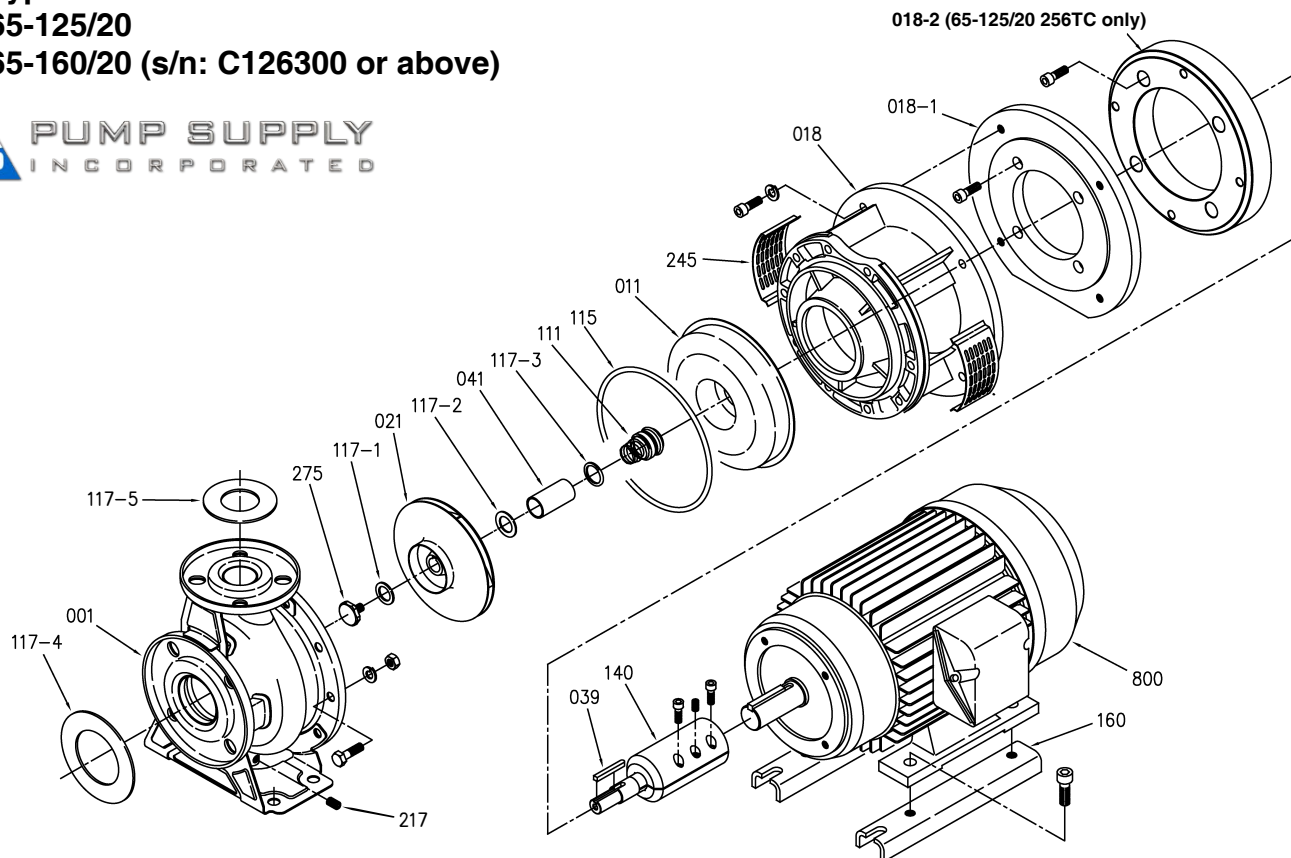
EBARA Pumps Americas Corporation

EBARA Stainless Steel Centrifugal Pumps**Model 3U****Sectional View****3U Type 1****3U-32, 3U-40, 3U-50****3U(4)-32, 3U(4)-40, 3U(4)-50****3U-65-125/7.5, 3U-65-125/10, 3U-65-125/15****3U-65-160/10, 3U-65-160/15**

| Part No. | Part Name | Materials | No. for 1 Unit |
|----------|-------------------------|---------------------------------|----------------|
| 001 | Casing | 304L Stainless | 1 |
| 011 | Casing Cover | 304L Stainless | 1 |
| 018 | Bracket | Cast Iron | 1 |
| 021 | Impeller | 304L / 316SS (3U-65 - 316SS) | 1 |
| 039 | Key | 304L Stainless | 1 |
| 041 | Shaft Sleeve | 304L Stainless | 1 |
| 042 | Impeller Spacer | 304L Stainless | 1 |
| 107 | Liner Ring | 304L Stainless + PTFE | 1 |
| 111 | Mechanical Seal | varies by model | 1 |
| 115 | O-Ring | Viton/EPDM | 1 |
| 117-1 | Gasket | Nylon | 1 |
| 117-2 | Gasket | Nylon | 1 |
| 117-3 | Gasket | Nylon | 1 |
| 117-4 | Suction Flange Gasket | EPDM | 2 |
| 117-5 | Discharge Flange Gasket | NBR/EPDM | 2 |
| 160 | Motor Support | Steel | 2 |
| 160-1 | Casing Support | Steel | 2 |
| 217 | Drain Plug | 304L Stainless | 1 |
| 275 | Impeller Bolt | 304L Stainless | 1 |

Pump will use either motor supports or casing supports, depending on model.



EBARA Stainless Steel Centrifugal Pumps**Model 3U****Sectional View****3U Type 2****3U-65-125/20****3U-65-160/20 (s/n: C126300 or above)**

| Part No. | Part Name | Materials | No. for 1 Unit |
|----------|---------------------------------|-----------------|----------------|
| 001 | Casing | 304L Stainless | 1 |
| 011 | Casing Cover | 304L Stainless | 1 |
| 018 | Bracket | Cast Iron | 1 |
| 018-1 | Adapter Ring | Cast Iron | 1 |
| 018-2 | Adapter Ring (65-125 20hp only) | Cast Iron | 1 |
| 021 | Impeller | 316 Stainless | 1 |
| 039 | Key | 304L Stainless | 1 |
| 041 | Shaft Sleeve | 304L Stainless | 1 |
| 111 | Mechanical Seal | varies by model | 1 |
| 115 | O-Ring | Viton/EPDM | 1 |
| 117-1 | Gasket | Nylon | 1 |
| 117-2 | Gasket | Nylon | 1 |
| 117-3 | Gasket | Nylon | 1 |
| 117-4 | Suction Flange Gasket | EPDM | 2 |
| 117-5 | Discharge Flange Gasket | NBR/EPDM | 2 |
| 140 | Coupling | 304L Stainless | 1 |
| 160 | Motor Support | Steel | 2 |
| 217 | Drain Plug | 304L Stainless | 1 |
| 245 | Coupling Guard | Stainless Steel | 2 |
| 275 | Impeller Bolt | 304L Stainless | 1 |
| 800 | Motor | - | 1 |



EBARA Stainless Steel Centrifugal Pumps**Model 3U****Sectional View****Model 3U 65 Type 3**

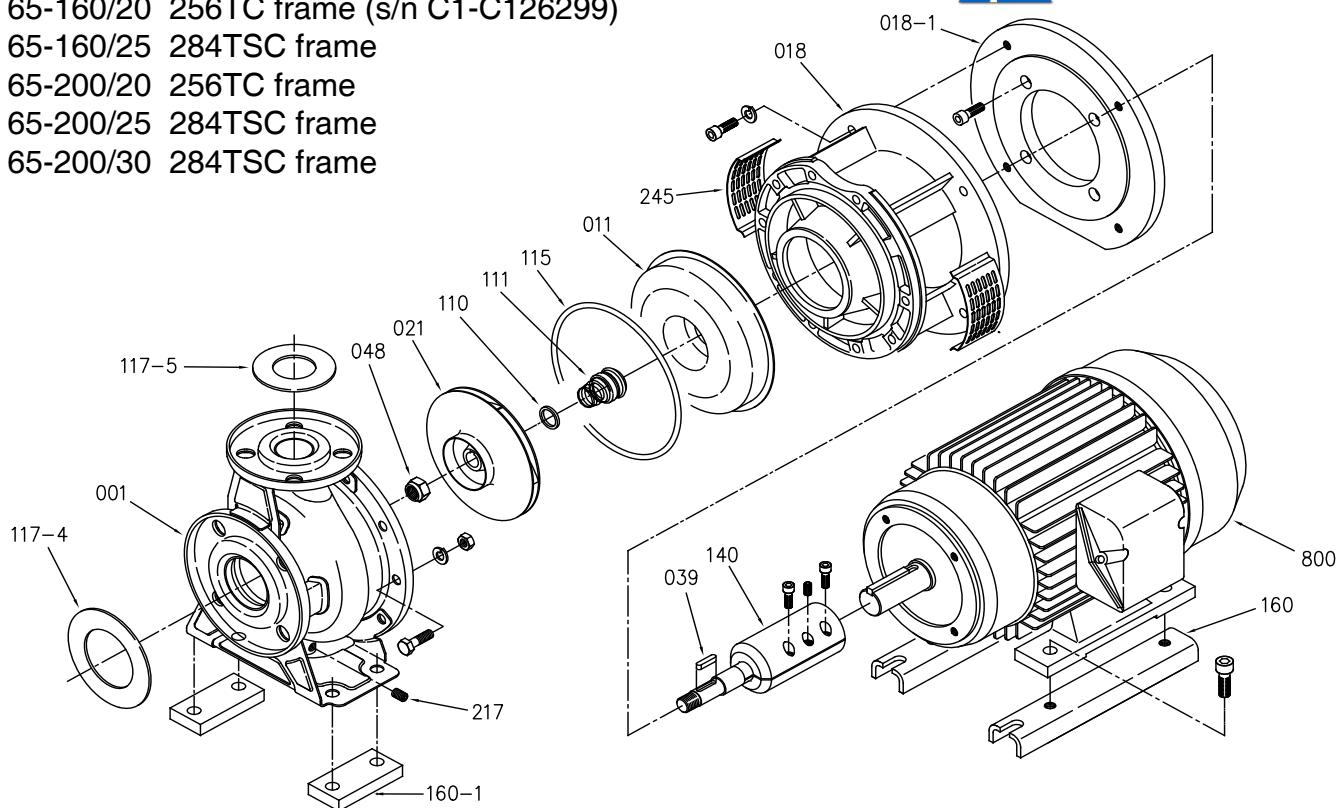
3U 65-160/20 256TC frame (s/n C1-C126299)

3U 65-160/25 284TSC frame

3U 65-200/20 256TC frame

3U 65-200/25 284TSC frame

3U 65-200/30 284TSC frame



| Part No. | Part Name | Materials | No. for 1 Unit |
|----------|-------------------------|-----------------|----------------|
| 001 | Casing | 304L Stainless | 1 |
| 011 | Casing Cover | 304L Stainless | 1 |
| 018 | Bracket | Cast Iron | 1 |
| 018-1 | Adapter Ring | Cast Iron | 1 |
| 021 | Impeller | 316 Stainless | 1 |
| 039 | Key | 304L Stainless | 1 |
| 048 | Impeller Nut | Stainless Steel | 1 |
| 110 | Lip Seal | 304L Stainless | 1 |
| 111 | Mechanical Seal | varies by model | 1 |
| 115 | O-Ring | Viton/EPDM | 1 |
| 117-4 | Suction Flange Gasket | EPDM | 2 |
| 117-5 | Discharge Flange Gasket | NBR/EPDM | 2 |
| 140 | Coupling | 304L Stainless | 1 |
| 160 | Motor Support | Steel | 2 |
| 160-1 | Casing Support | Steel | 2 |
| 217 | Drain Plug | 304L Stainless | 1 |
| 245 | Coupling Guard | Stainless Steel | 2 |
| 800 | Motor | - | 1 |

Pump will use either motor supports or casing supports, depending on model.

