

Stainless Steel Centrifugal Pump



PUMP SUPPLY
INCORPORATED

Model 3U



Dimensions

<p>Illinois Location: (847) 841-7867 860 Church Rd Elgin, IL 60120</p>	
<p>Minnesota Location: (651) 758-7867 330 Mill Bay South Suite 100 Afton, MN 55001</p>	
<p>PumpSupplyInc.com</p>	



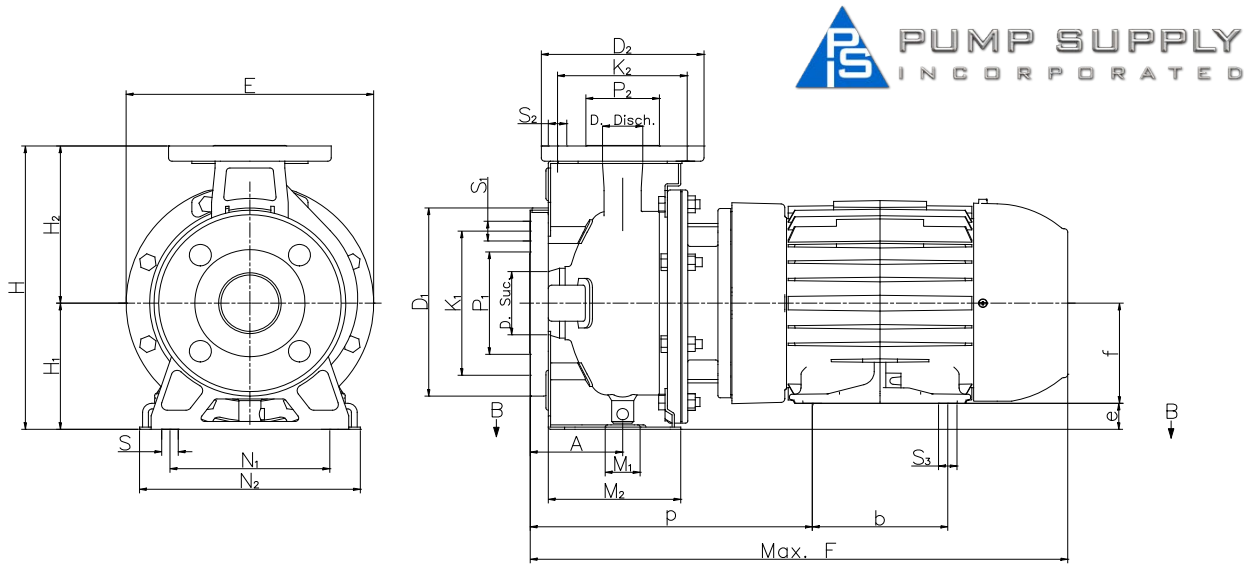
EBARA

EBARA Pumps Americas Corporation

EBARA Stainless Steel Centrifugal Pumps

Model 3U

Pump Dimensions



Unit: inch

Model	Size	Flange										Pump									
		Suction					Discharge														
		D Suc.	P ₁	K ₁	D ₁	S ₁	D Disch.	P ₂	K ₂	D ₂	S ₂	A	E	H	H ₁	H ₂	M ₁	M ₂	N ₁	N ₂	S
32-125-3HP	1¼ x 2 x 5 ¹ / ₁₆	2	3 ³ / ₁₆	4 ¹ / ₁₆	6 ¹ / ₂	1 ¹ / ₁₆	1¼	2½	3½	5½	¾	3 ³ / ₁₆	8 ¹ / ₁₆	9 ¹ / ₁₆	4 ⁷ / ₁₆	5½	2¼	4½	5½	7½	¾
32-160A-5HP	1¼ x 2 x 5 ¹ / ₁₆	2	3 ³ / ₁₆	4 ¹ / ₁₆	6 ¹ / ₂	1 ¹ / ₁₆	1¼	2½	3½	5½	¾	3 ³ / ₁₆	10	11½	5 ³ / ₁₆	6 ⁵ / ₁₆	2¼	4 ³ / ₁₆	7½	9 ¹ / ₁₆	¾
32-160B-5HP	1¼ x 2 x 6 ¹ / ₁₆	2	3 ³ / ₁₆	4 ¹ / ₁₆	6 ¹ / ₂	1 ¹ / ₁₆	1¼	2½	3½	5½	¾	3 ³ / ₁₆	10	11½	5 ³ / ₁₆	6 ⁵ / ₁₆	2¼	4 ³ / ₁₆	7½	9 ¹ / ₁₆	¾
32-200-7½HP	1¼ x 2 x 7 ¹ / ₁₆	2	3 ³ / ₁₆	4 ¹ / ₁₆	6 ¹ / ₂	1 ¹ / ₁₆	1¼	2½	3½	5½	¾	3 ³ / ₁₆	11 ¹ / ₁₆	13 ³ / ₁₆	6 ⁵ / ₁₆	7½	2¼	4 ¹ / ₁₆	7½	9 ¹ / ₁₆	¾
32-200-10HP	1¼ x 2 x 7 ¹ / ₁₆	2	3 ³ / ₁₆	4 ¹ / ₁₆	6 ¹ / ₂	1 ¹ / ₁₆	1¼	2½	3½	5½	¾	3 ³ / ₁₆	11 ¹ / ₁₆	13 ³ / ₁₆	6 ⁵ / ₁₆	7½	2¼	4 ¹ / ₁₆	7½	9 ¹ / ₁₆	¾
40-125A-5HP	1½ x 2½ x 4 ¹ / ₁₆	2½	4 ¹ / ₁₆	5 ¹ / ₁₆	7 ¹ / ₁₆	1 ¹ / ₁₆	1½	2 ¹ / ₁₆	3 ¹ / ₁₆	5 ¹ / ₁₆	¾	3 ³ / ₁₆	8 ¹ / ₁₆	9 ¹ / ₁₆	4 ⁷ / ₁₆	5½	2¼	4½	6 ¹ / ₁₆	8¼	¾
40-125B-5HP	1½ x 2½ x 5½	2½	4 ¹ / ₁₆	5 ¹ / ₁₆	7 ¹ / ₁₆	1 ¹ / ₁₆	1½	2 ¹ / ₁₆	3 ¹ / ₁₆	5 ¹ / ₁₆	¾	3 ³ / ₁₆	8 ¹ / ₁₆	9 ¹ / ₁₆	4 ⁷ / ₁₆	5½	2¼	4½	6 ¹ / ₁₆	8¼	¾
40-160-7½HP	1½ x 2½ x 5 ¹ / ₁₆	2½	4 ¹ / ₁₆	5 ¹ / ₁₆	7 ¹ / ₁₆	1 ¹ / ₁₆	1½	2 ¹ / ₁₆	3 ¹ / ₁₆	5 ¹ / ₁₆	¾	3 ³ / ₁₆	10	11½	5 ³ / ₁₆	6 ⁵ / ₁₆	2¼	4 ³ / ₁₆	7½	9 ¹ / ₁₆	¾
40-160-1-10HP	1½ x 2½ x 6 ¹ / ₁₆	2½	4 ¹ / ₁₆	5 ¹ / ₁₆	7 ¹ / ₁₆	1 ¹ / ₁₆	1½	2 ¹ / ₁₆	3 ¹ / ₁₆	5 ¹ / ₁₆	¾	3 ³ / ₁₆	10	11½	5 ³ / ₁₆	6 ⁵ / ₁₆	2¼	4 ³ / ₁₆	7½	9 ¹ / ₁₆	¾
40-200A-15HP	1½ x 2½ x 7 ¹ / ₁₆	2½	4 ¹ / ₁₆	5 ¹ / ₁₆	7 ¹ / ₁₆	1 ¹ / ₁₆	1½	2 ¹ / ₁₆	3 ¹ / ₁₆	5 ¹ / ₁₆	¾	3 ¹ / ₁₆	11 ¹ / ₁₆	13 ³ / ₁₆	6 ⁵ / ₁₆	7½	2¼	4½	8 ¹ / ₁₆	10 ¹ / ₁₆	¾
40-200B-15HP	1½ x 2½ x 7 ¹ / ₁₆	2½	4 ¹ / ₁₆	5 ¹ / ₁₆	7 ¹ / ₁₆	1 ¹ / ₁₆	1½	2 ¹ / ₁₆	3 ¹ / ₁₆	5 ¹ / ₁₆	¾	3 ¹ / ₁₆	11 ¹ / ₁₆	13 ³ / ₁₆	6 ⁵ / ₁₆	7½	2¼	4½	8 ¹ / ₁₆	10 ¹ / ₁₆	¾
50-125-7½HP	2 x 2½ x 5 ¹ / ₁₆	2½	4 ¹ / ₁₆	5 ¹ / ₁₆	7 ¹ / ₁₆	1 ¹ / ₁₆	2	3 ³ / ₁₆	4 ¹ / ₁₆	6 ¹ / ₁₆	1 ¹ / ₁₆	3 ¹ / ₁₆	10	11½	5 ³ / ₁₆	6 ⁵ / ₁₆	2¼	4½	7½	9 ¹ / ₁₆	¾
50-125-10HP	2 x 2½ x 5½	2½	4 ¹ / ₁₆	5 ¹ / ₁₆	7 ¹ / ₁₆	1 ¹ / ₁₆	2	3 ³ / ₁₆	4 ¹ / ₁₆	6 ¹ / ₁₆	1 ¹ / ₁₆	3 ¹ / ₁₆	10	11½	5 ³ / ₁₆	6 ⁵ / ₁₆	2¼	4½	7½	9 ¹ / ₁₆	¾
50-160-10HP	2 x 2½ x 6 ¹ / ₁₆	2½	4 ¹ / ₁₆	5 ¹ / ₁₆	7 ¹ / ₁₆	1 ¹ / ₁₆	2	3 ³ / ₁₆	4 ¹ / ₁₆	6 ¹ / ₁₆	1 ¹ / ₁₆	3 ¹ / ₁₆	11 ¹ / ₁₆	13 ³ / ₁₆	6 ⁵ / ₁₆	7½	2¼	4½	8 ¹ / ₁₆	10 ¹ / ₁₆	¾
50-160-1-15HP	2 x 2½ x 6 ¹ / ₁₆	2½	4 ¹ / ₁₆	5 ¹ / ₁₆	7 ¹ / ₁₆	1 ¹ / ₁₆	2	3 ³ / ₁₆	4 ¹ / ₁₆	6 ¹ / ₁₆	1 ¹ / ₁₆	3 ¹ / ₁₆	11 ¹ / ₁₆	13 ³ / ₁₆	6 ⁵ / ₁₆	7½	2¼	4½	8 ¹ / ₁₆	10 ¹ / ₁₆	¾

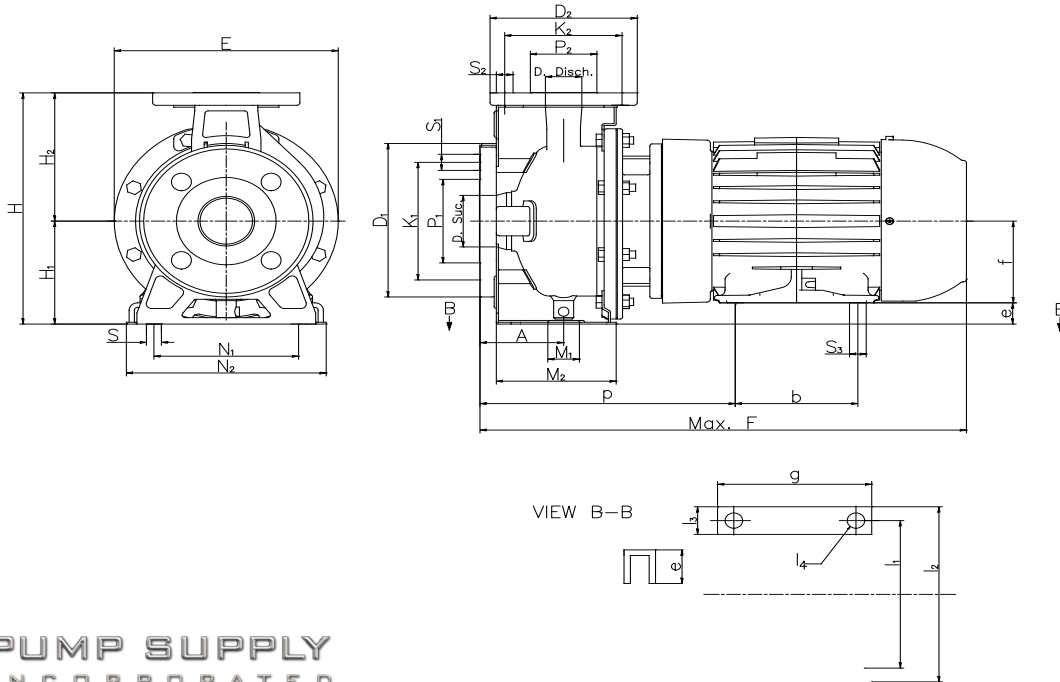


EBARA Stainless Steel Centrifugal Pumps

Model 3U

Pump Dimensions

3U 2-Pole Motor



Unit: inch

Model	JM Frame	Motor									
		b	e	f	g	l ₁	l ₂	l ₃	P	S ₃	F
32-125	145JM	5	15/16	3 1/2	5 15/16	5 1/2	6 1/2	1	6 9/16	1 1/32	18 15/16
	182JM	4 1/2	-1/16	4 1/2	6 1/2	7 1/2	8 1/2	1	7 3/16	1 3/32	19 3/16
32-160A/B	182JM	4 1/2	1 1/16	4 1/2	6 1/2	7 1/2	8 1/2	1	7 3/16	1 3/32	19 3/16
	184JM	5 1/2	1 1/16	4 1/2	6 1/2	7 1/2	8 1/2	1	7 3/16	1 3/32	20 5/8
32-200	184JM	5 1/2	1 13/16	4 1/2	6 1/2	7 1/2	8 1/2	1	7 3/16	1 3/32	22 1/8
	213JM	5 1/2	1 1/16	5 1/4	8	8 1/2	9 1/2	1	8 3/16	1 3/32	20 3/4
	215JM	7	1 1/16	5 1/4	8	8 1/2	9 1/2	1	8 3/16	1 3/32	21 1/8
40-125A/B	182JM	4 1/2	-1/16	4 1/2	6 1/2	7 1/2	8 1/2	1	7 3/16	1 3/32	19 3/16
	184JM	5 1/2	-1/16	4 1/2	6 1/2	7 1/2	8 1/2	1	7 3/16	1 3/32	20 3/4
40-160	184JM	5 1/2	1 1/16	4 1/2	6 1/2	7 1/2	8 1/2	1	7 3/16	1 3/32	22 1/8
	213JM	5 1/2	-1/16	5 1/4	8	8 1/2	9 1/2	1	8 3/16	1 3/32	20 3/4
	215JM	7	-1/16	5 1/4	8	8 1/2	9 1/2	1	8 3/16	1 3/32	21 1/8
40-200	215JM	7	1 1/16	5 1/4	8	8 1/2	9 1/2	1	8 3/16	1 3/32	22 1 1/16
50-125	184JM	5 1/2	1 1/16	4 1/2	6 1/2	7 1/2	8 1/2	1	7 3/16	1 3/32	22 15/16
	213JM	5 1/2	-1/16	5 1/4	8	8 1/2	9 1/2	1	8 3/16	1 3/32	21 1/16
	215JM	7	-1/16	5 1/4	8	8 1/2	9 1/2	1	8 3/16	1 3/32	22 1 1/16
50-160	213JM	5 1/2	1 1/16	5 1/4	8	8 1/2	9 1/2	1	8 3/16	1 3/32	21 1/16
	215JM	7	1 1/16	5 1/4	8	8 1/2	9 1/2	1	8 3/16	1 3/32	22 1 1/16

Remarks:

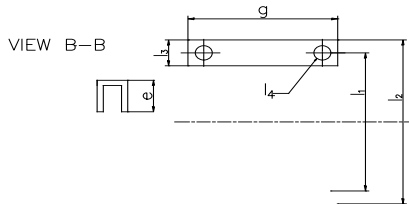
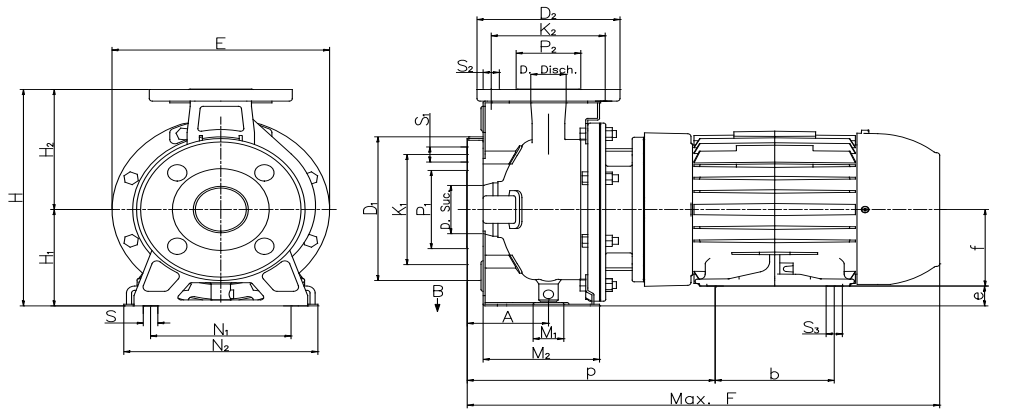
1. "e" dimensions (-) means H₁ < f.
In this case, need distance piece under the pump.
2. "F" dimensions indicate maximum dimension.



EBARA Stainless Steel Centrifugal Pumps

Model 3U

Pump Dimensions



3U 4-Pole TEFC Motor

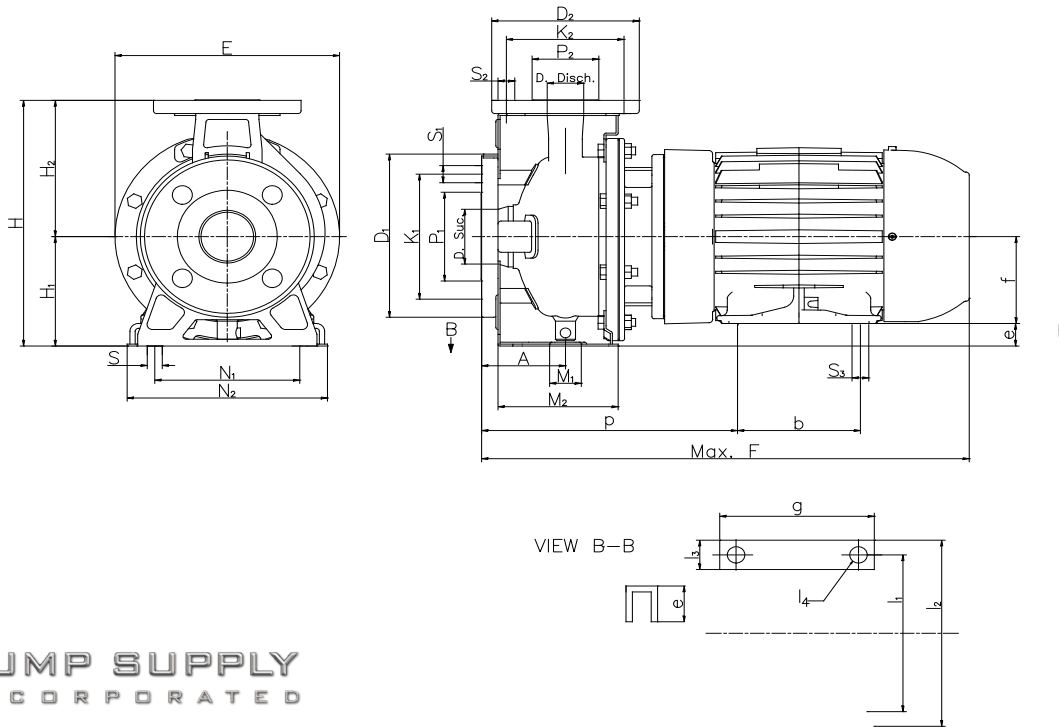
Model	HP	Phase	JM Frame	b	e	f	g	l1	l2	l3	l4	P	S3	F
32-200	1	3	143JM	5	2 13/16	3 1/2	5 15/16	5 1/2	7 1/2	1 3/4	5/16	9 1/16	3/8	19 13/16
	1	1	145JM	5	2 13/16	3 1/2	5 15/16	5 1/2	7 1/2	1 3/4	5/16	9 1/16	3/8	19 13/16
	1.5	3	145JM	5	2 13/16	3 1/2	5 15/16	5 1/2	7 1/2	1 3/4	5/16	9 1/16	3/8	19 5/8
	1.5	1	145JM	5	2 13/16	3 1/2	5 15/16	5 1/2	7 1/2	1 3/4	5/16	10 7/8	3/8	20 13/16
40-160	2	3	145JM	5	2 13/16	3 1/2	5 15/16	5 1/2	7 1/2	1 3/4	5/16	10 7/8	3/8	19 1/16
	1	1	145JM	5	2 13/16	3 1/2	5 15/16	5 1/2	7 1/2	1 3/4	5/16	7 9/16	3/8	19 13/16
	1	3	143JM	5	1 11/16	3 1/2	5 15/16	5 1/2	7 1/2	1 3/4	5/16	7 1/2	3/8	19 3/4
40-200A/B	1.5	3	145JM	5	1 3/4	3 1/2	5 15/16	5 1/2	7 1/2	1 3/4	5/16	10 7/8	3/8	18 11/16
	1.5	3	145JM	5	2 13/16	3 1/2	5 15/16	5 1/2	7 1/2	1 3/4	5/16	7 1/2	3/8	18 3/4
50-125	2	3	145JM	5	2 13/16	3 1/2	5 15/16	5 1/2	7 1/2	1 3/4	5/16	7 1/2	3/8	18 3/4
	1	3	143JM	5	1 11/16	3 1/2	5 15/16	5 1/2	7 1/2	1 3/4	5/16	7 1/2	3/8	19 5/8
	1.5	3	145JM	5	1 11/16	3 1/2	5 15/16	5 1/2	7 1/2	1 3/4	5/16	10 7/8	3/8	19 1/2
50-160	2	3	145JM	5	1 11/16	3 1/2	5 15/16	5 1/2	7 1/2	1 3/4	5/16	10 7/8	3/8	19 7/8
	1.5	1	145JM	5	2 13/16	3 1/2	5 15/16	5 1/2	7 1/2	1 3/4	5/16	10 1/2	3/8	20 13/16
	1.5	3	145JM	5	2 13/16	3 1/2	5 15/16	5 1/2	7 1/2	1 3/4	5/16	10 1/2	3/8	19 5/8
	2	3	145JM	5	2 13/16	3 1/2	5 15/16	5 1/2	7 1/2	1 3/4	5/16	10 1/2	3/8	19 5/8



EBARA Stainless Steel Centrifugal Pumps

Model 3U

Pump Dimensions



3U 4-Pole ODP Motor

Model	HP	Phase	JM Frame	b	e	f	g	I1	I2	I3	I4	P	S3	F
32-200	1	3	143JM	5	2 ¹³ / ₁₆	3 ¹ / ₂	5 ¹⁵ / ₁₆	5 ¹ / ₂	7 ¹ / ₂	1 ³ / ₄	5 ¹ / ₁₆	7 ⁹ / ₁₆	3 ³ / ₈	18 ¹⁵ / ₁₆
	1.5	3	145JM	5	2 ¹³ / ₁₆	3 ¹ / ₂	5 ¹⁵ / ₁₆	5 ¹ / ₂	7 ¹ / ₂	1 ³ / ₄	5 ¹ / ₁₆	7 ⁹ / ₁₆	3 ³ / ₈	18 ¹⁵ / ₁₆
	2	3	145JM	5	2 ¹³ / ₁₆	3 ¹ / ₂	5 ¹⁵ / ₁₆	5 ¹ / ₂	7 ¹ / ₂	1 ³ / ₄	5 ¹ / ₁₆	10 ¹ / ₁₆	3 ³ / ₈	17 ⁷ / ₁₆
40-160	1	3	143JM	5	1 ¹¹ / ₁₆	3 ¹ / ₂	5 ¹⁵ / ₁₆	5 ¹ / ₂	7 ¹ / ₂	1 ³ / ₄	5 ¹ / ₁₆	7 ¹ / ₂	3 ³ / ₈	18 ³ / ₈
	1.5	3	145JM	5	1 ¹¹ / ₁₆	3 ¹ / ₂	5 ¹⁵ / ₁₆	5 ¹ / ₂	7 ¹ / ₂	1 ³ / ₄	5 ¹ / ₁₆	10 ¹ / ₁₆	3 ³ / ₈	17 ⁷ / ₁₆
40-200A/B	1.5	3	145JM	5	2 ¹³ / ₁₆	3 ¹ / ₂	5 ¹⁵ / ₁₆	5 ¹ / ₂	7 ¹ / ₂	1 ³ / ₄	5 ¹ / ₁₆	7 ³ / ₈	3 ³ / ₈	19 ⁵ / ₈
	2	3	145JM	5	2 ¹³ / ₁₆	3 ¹ / ₂	5 ¹⁵ / ₁₆	5 ¹ / ₂	7 ¹ / ₂	1 ³ / ₄	5 ¹ / ₁₆	7 ³ / ₈	3 ³ / ₈	19 ⁵ / ₈
50-125	1	3	143JM	5	1 ¹¹ / ₁₆	3 ¹ / ₂	5 ¹⁵ / ₁₆	5 ¹ / ₂	7 ¹ / ₂	1 ³ / ₄	5 ¹ / ₁₆	7 ³ / ₈	3 ³ / ₈	18 ³ / ₄
	1.5	3	145JM	5	1 ¹¹ / ₁₆	3 ¹ / ₂	5 ¹⁵ / ₁₆	5 ¹ / ₂	7 ¹ / ₂	1 ³ / ₄	5 ¹ / ₁₆	10 ¹ / ₁₆	3 ³ / ₈	18 ³ / ₄
	2	3	145JM	5	1 ¹¹ / ₁₆	3 ¹ / ₂	5 ¹⁵ / ₁₆	5 ¹ / ₂	7 ¹ / ₂	1 ³ / ₄	5 ¹ / ₁₆	10 ¹ / ₁₆	3 ³ / ₈	18 ³ / ₄
50-160	1.5	3	145JM	5	2 ¹³ / ₁₆	3 ¹ / ₂	5 ¹⁵ / ₁₆	5 ¹ / ₂	7 ¹ / ₂	1 ³ / ₄	5 ¹ / ₁₆	10 ¹ / ₁₆	3 ³ / ₈	17 ¹ / ₈
	2	3	145JM	5	2 ¹³ / ₁₆	3 ¹ / ₂	5 ¹⁵ / ₁₆	5 ¹ / ₂	7 ¹ / ₂	1 ³ / ₄	5 ¹ / ₁₆	10 ¹ / ₁₆	3 ³ / ₈	17 ¹ / ₈

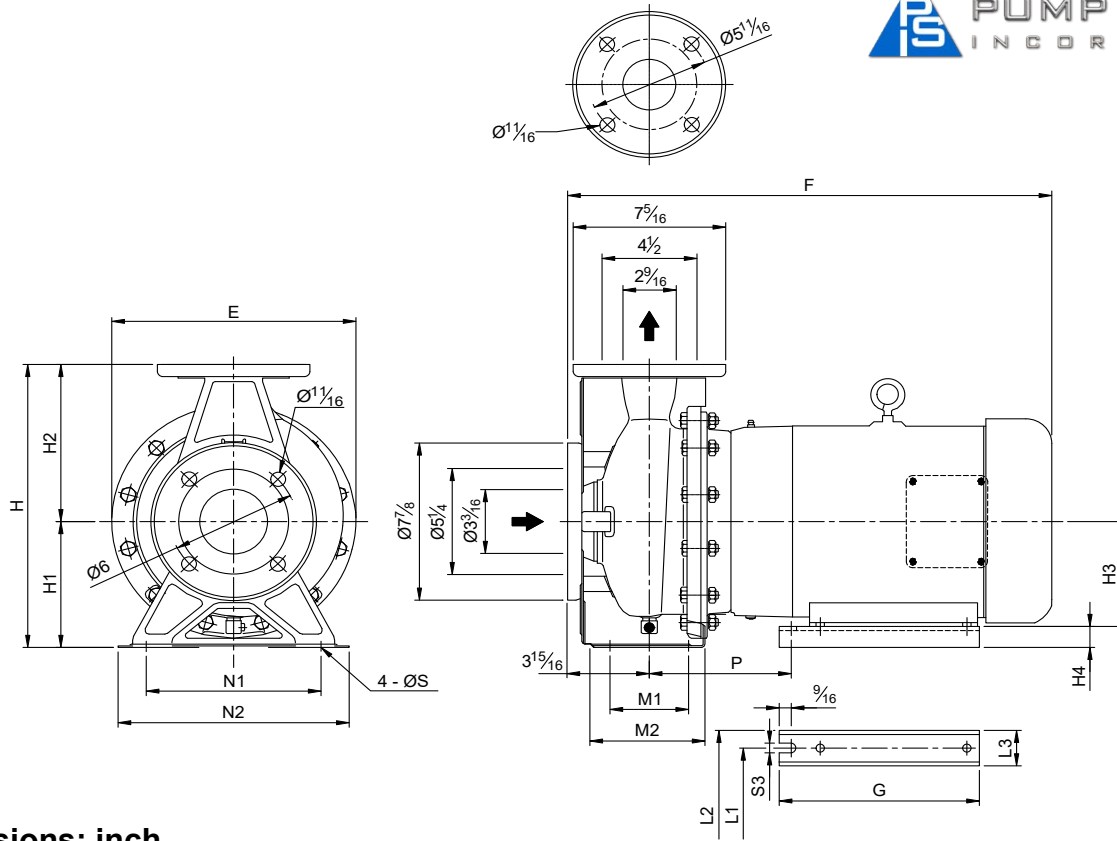


EBARA Stainless Steel Centrifugal Pumps

Model 3U

Dimensions

3U Type 1



Dimensions: inch

Model	Size	Type	E	F	G	H	H ₁	H ₂	H ₃	H ₄	L ₁	L ₂	L ₃	M ₁	M ₂	N ₁	N ₂	P	S	S ₃
3U 65-125/7.5	2½ x 3 x 4¾	1	10	23 ³ / ₁₆	9 ⁹ / ₁₆	13 ³ / ₁₆	6 ¹⁵ / ₁₆	7 ¹ / ₁₆	5¼	1 ¹ / ₁₆	8½	10¼	1¼	3¾	5½	8 ⁸ / ₁₆	11	16 ¹⁶ / ₁₆	⁹ / ₁₆	½
3U 65-125/10	2½ x 3 x 5 ⁵ / ₁₆	1	10	23 ³ / ₁₆	9 ⁹ / ₁₆	13 ³ / ₁₆	6 ¹⁵ / ₁₆	7 ¹ / ₁₆	5¼	1 ¹ / ₁₆	8½	10¼	1¼	3¾	5½	8 ⁸ / ₁₆	11	16 ¹⁶ / ₁₆	⁹ / ₁₆	½
3U 65-125/15	2½ x 3 x 5½	1	10	30 ¹⁵ / ₁₆	9 ⁹ / ₁₆	13 ³ / ₁₆	6 ¹⁵ / ₁₆	7 ¹ / ₁₆	5¼	1 ¹ / ₁₆	8½	10¼	1¼	3¾	5½	8 ⁸ / ₁₆	11	16 ¹⁶ / ₁₆	⁹ / ₁₆	½
3U 65-160/10	2½ x 3 x 5¼	1	11 ¹ / ₁₆	23 ³ / ₁₆	9 ⁹ / ₁₆	14 ³ / ₁₆	6 ¹⁵ / ₁₆	7 ⁷ / ₁₆	5¼	1 ¹ / ₁₆	8½	10¼	1¾	3¾	5½	8 ⁸ / ₁₆	11	16 ¹⁶ / ₁₆	⁹ / ₁₆	½
3U 65-160/15	2½ x 3 x 5 ¹³ / ₁₆	1	11 ¹ / ₁₆	23 ³ / ₁₆	9 ⁹ / ₁₆	14 ³ / ₁₆	6 ¹⁵ / ₁₆	7 ⁷ / ₁₆	5¼	1 ¹ / ₁₆	8½	10¼	1¼	3¾	5½	8 ⁸ / ₁₆	11	16 ¹⁶ / ₁₆	⁹ / ₁₆	½

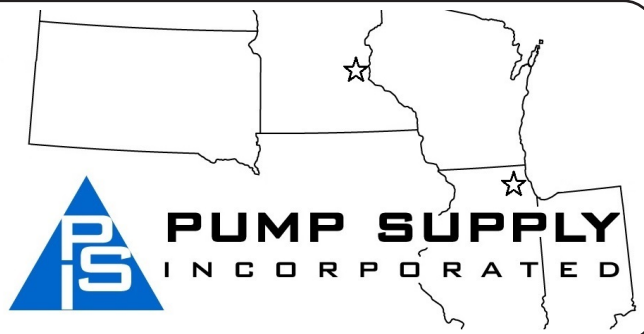
Illinois Location:

(847) 841-7867
860 Church Rd Elgin, IL 60120

Minnesota Location:

(651) 758-7867
330 Mill Bay South Suite
Afton, MN 55001

PumpSupplyInc.com

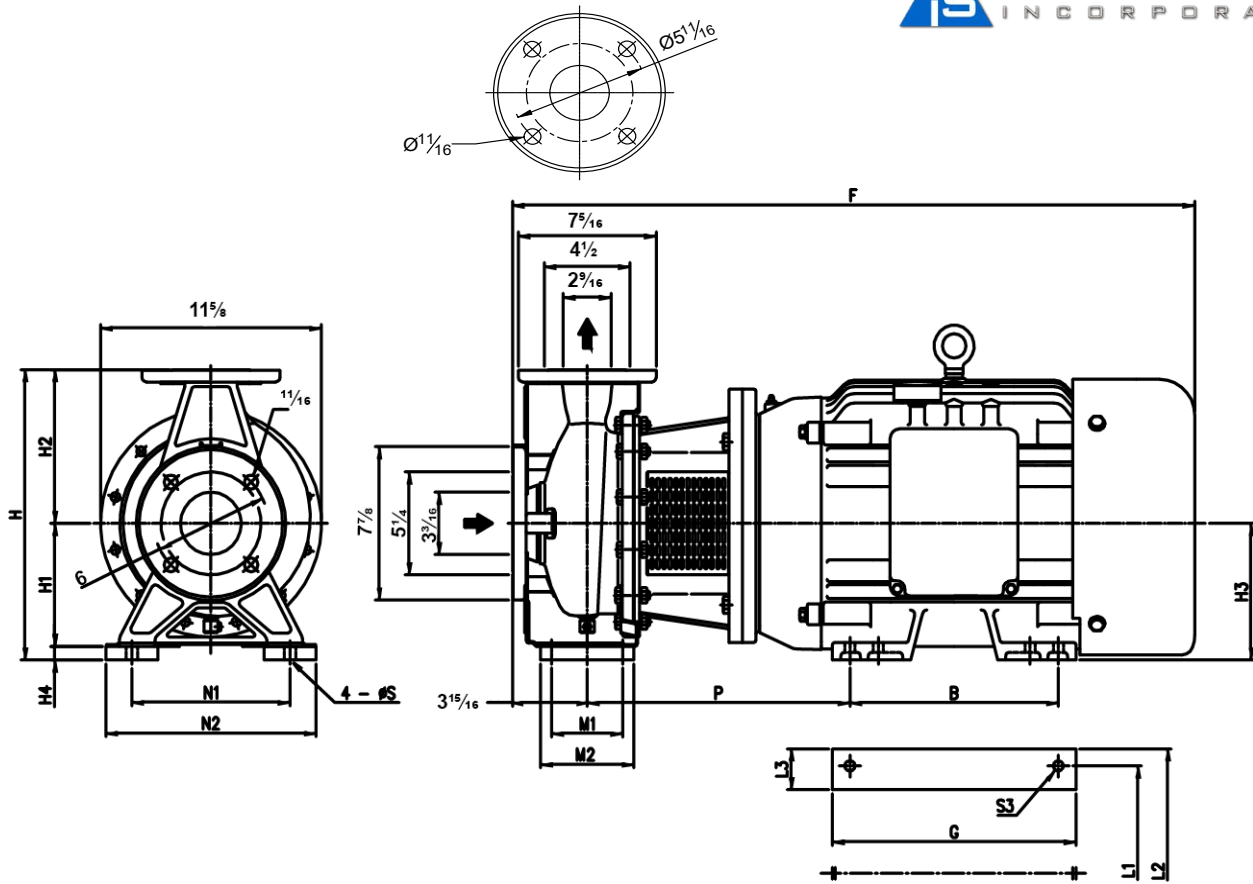


EBARA Stainless Steel Centrifugal Pumps

Model 3U

Dimensions

3U Type 2
3U Type 3



Dimensions: inch

Model	Size	Type	E	F	G	H	H ₁	H ₂	H ₃	H ₄	L ₁	L ₂	L ₃	M ₁	M ₂	N ₁	N ₂	P	S	S ₃
3U 65-125/20	2½ x 3 x 5⅝	3	10	33⅛	11¼	13⅞	6⅝	7⅞	6¼	⅞	10	11⅞	1⅞	3¼	5⅞	8⅞	11⅞	16⅞	⅞	⅞
3U 65-160/20	2½ x 3 x 6⅝	3	11	33½	11¼	14⅞	6⅝	7⅞	6¼	⅞	10	11⅞	1⅞	3¼	5⅞	8⅞	11½	13⅞	⅞	⅞
3U 65-160/25	2½ x 3 x 6⅞	3	11	36	12⅞	14⅞	6⅝	7⅞	7	⅞	11	12¼	-	3¼	4⅞	8⅞	11⅞	13⅞	⅞	⅞
3U 65-200/20	2½ x 3 x 6¾	3	10	32⅞	13⅞	15⅞	7⅞	8⅞	6¼	⅞	10	12⅞	2⅞	3¼	5½	9⅞	12⅞	13⅞	⅞	⅞
3U 65-200/25	2½ x 3 x 7⅞	3	11	36	13	15⅞	7⅞	8⅞	7	⅞	11	12⅞	1⅞	3¼	5½	9⅞	12⅞	13⅞	⅞	⅞

Illinois Location:

(847) 841-7867
860 Church Rd Elgin, IL 61

Minnesota Location:

(651) 758-7867
330 Mill Bay South Suite
Afton, MN 55001

PumpSupplyInc.com

