

GENUINE

ROPER®

REBUILD KIT



STANDARD KIT INCLUDES:

Retaining Ring
Bronze Bushings (3 long & 1 short)
PTFE/Graphite Packing
Relief Valve Adjusting Screw
Relief Valve Gasket
Relief Valve Spring

Left Hand Gear
Ball Bearing
Flange Gaskets
Drive Shaft
Relief Valve Nut
Keys

Right Hand Gear
Case Gaskets (3)
Spring Clip
Gland Clip
Idler Shaft

OPTIONS AVAILABLE:

Hi Pressure RV Spring
SST Shafts

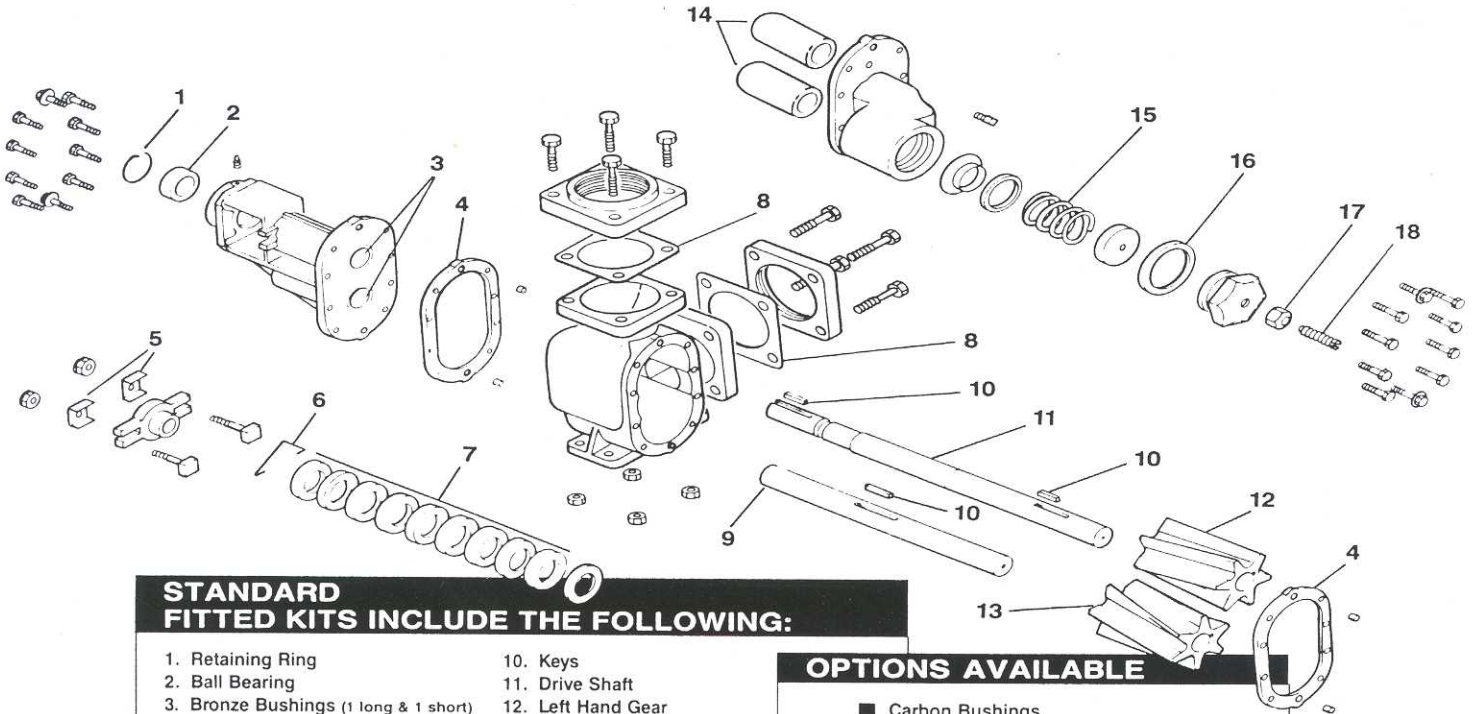
Carbon Bushings
PTFE Bushings

Iron Bushings





The leading force behind liquids.



STANDARD FITTED KITS INCLUDE THE FOLLOWING:

- | | |
|---------------------------------------|----------------------------------|
| 1. Retaining Ring | 10. Keys |
| 2. Ball Bearing | 11. Drive Shaft |
| 3. Bronze Bushings (1 long & 1 short) | 12. Left Hand Gear |
| 4. Case Gaskets | 13. Right Hand Gear |
| 5. Gland Clip | 14. Bronze Bushings (2 long) |
| 6. Spring Clip | 15. Relief Valve Spring |
| 7. PTFE / Graphite Packing | 16. Relief Valve Gasket |
| 8. Flange Gaskets | 17. Relief Valve Nut |
| 9. Idler Shaft | 18. Relief Valve Adjusting Screw |

OPTIONS AVAILABLE

- Carbon Bushings
- Iron Bushings
- PTFE Bushings
- Hi Pressure Relief Valve Spring
- SST Shafts

Pump Model	Standard Fitted Kit Number	Carbon Bushings	Iron Bushings	PTFE Bushings	Hi Pressure RV Spring	Stainless Steel Shafts
3611	N44-188	N44-189	N44-190	N44-191	N44-196	N44-192
3617	N44-172	N44-173	N44-174	N44-175	N44-180	N44-176
3622	N44-133	N44-134	N44-135	N44-136	N44-141	N44-137
3648	N44-149	N44-150	N44-151	N/A	N44-155	N44-152
3658	N44-322					

“Why take the risk? Why discard the warranty? Ensure all your parts are genuine Roper parts!”

Roper Rebuild Kits Include All Major Parts Required To Rebuild Your Pump

Eff. 1/01