

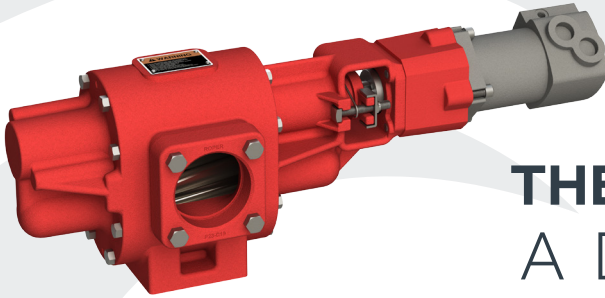
A NEW BREED OF
EXTREME-CONDITION
OIL FIELD PUMPS
HAS *EMERGED*

3600
evo

**DESIGNED
SPECIFICALLY
TO PUMP
OILFIELD
LIQUIDS IN
EXTREME
CONDITIONS**



MADE IN THE U.S.A.

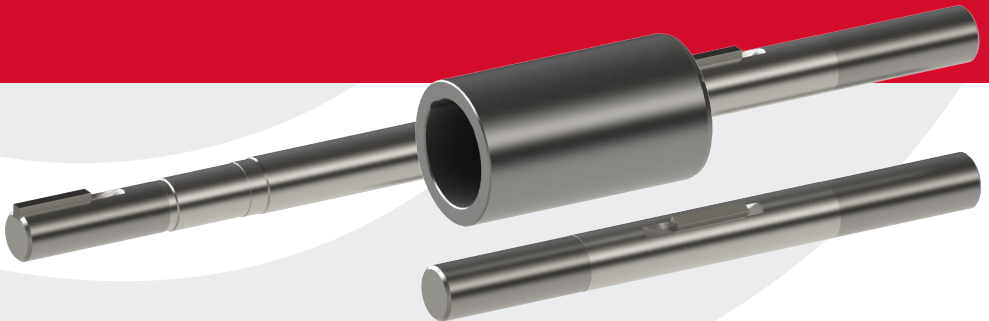


THE ROPER 4648 **evo** ADVANTAGE

DROP-IN REPLACEMENT

FOR MOST BALL BEARING STYLE TRUCK PUMPS

- **EVO WEAR-RESISTANT INTERNALS**
- **NOTHING TO OIL OR GREASE**
- **HARDENED IRON GEARS**
- **CLOSE-COUPLED HYDRAULIC MOTOR MOUNT**
- **EASY TO REBUILD**



THE ROPER 4648 **evo**

SEAL OPTIONS

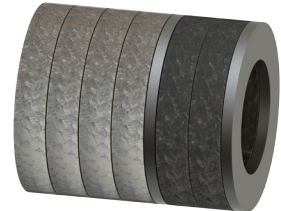
NO-LEAK, TRIPLE-LIP CARTRIDGE SEAL

- HEAVY DUTY STAINLESS STEEL GLAND
- SILICON CARBIDE SLEEVE PROTECTS THE SHAFT
- DRY RUN CAPABLE
- EASILY REPAIRED ON SITE



OILFIELD SPECIFIC PACKING SET

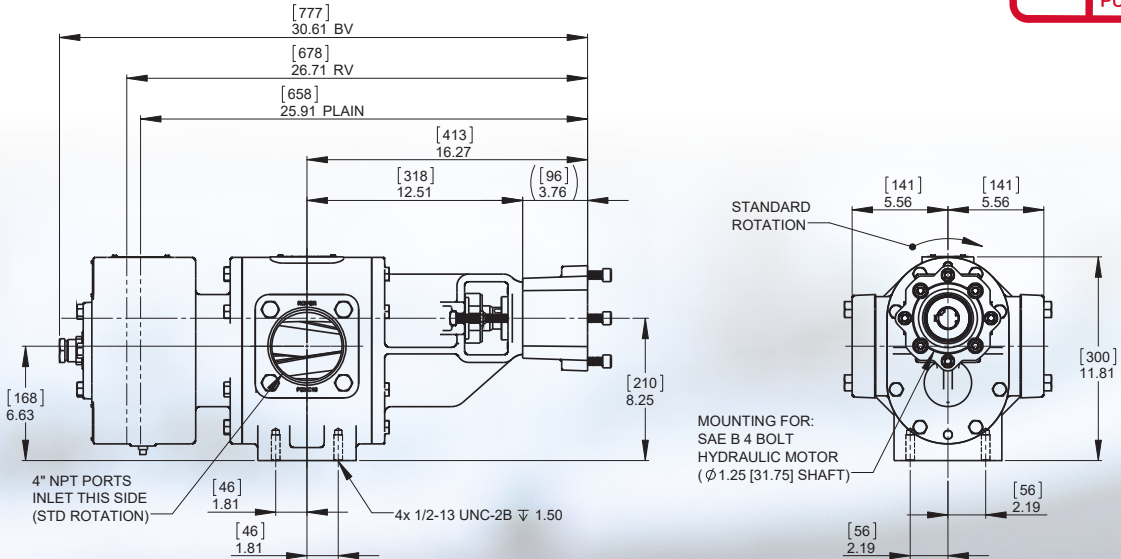
- EXCLUDES SOLIDS FROM THE STUFFING BOX
- BETTER HEAT DISSIPATION REDUCES SHAFT WEAR
- LASTS LONGER, SEALS BETTER



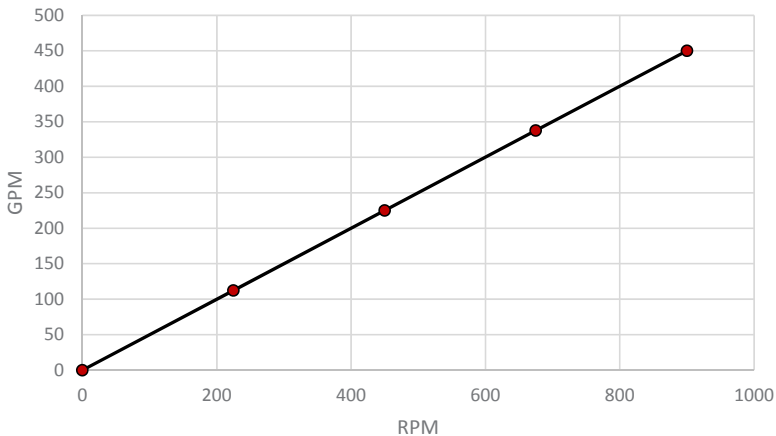
Copyright © 2017 Roper Pump Company

Always consult Roper Pump Company to select the best product for your application:
706.335.5551 • www.roperpumps.com

DIMENSIONS: 4648 eVO PUMP



GPM: 4648 eVO PUMP



UP TO...

- 450 GPM
- 125 PSI
- 900 RPM

4" NPT PORTS
SAE B 4 BOLT MOTOR MOUNT