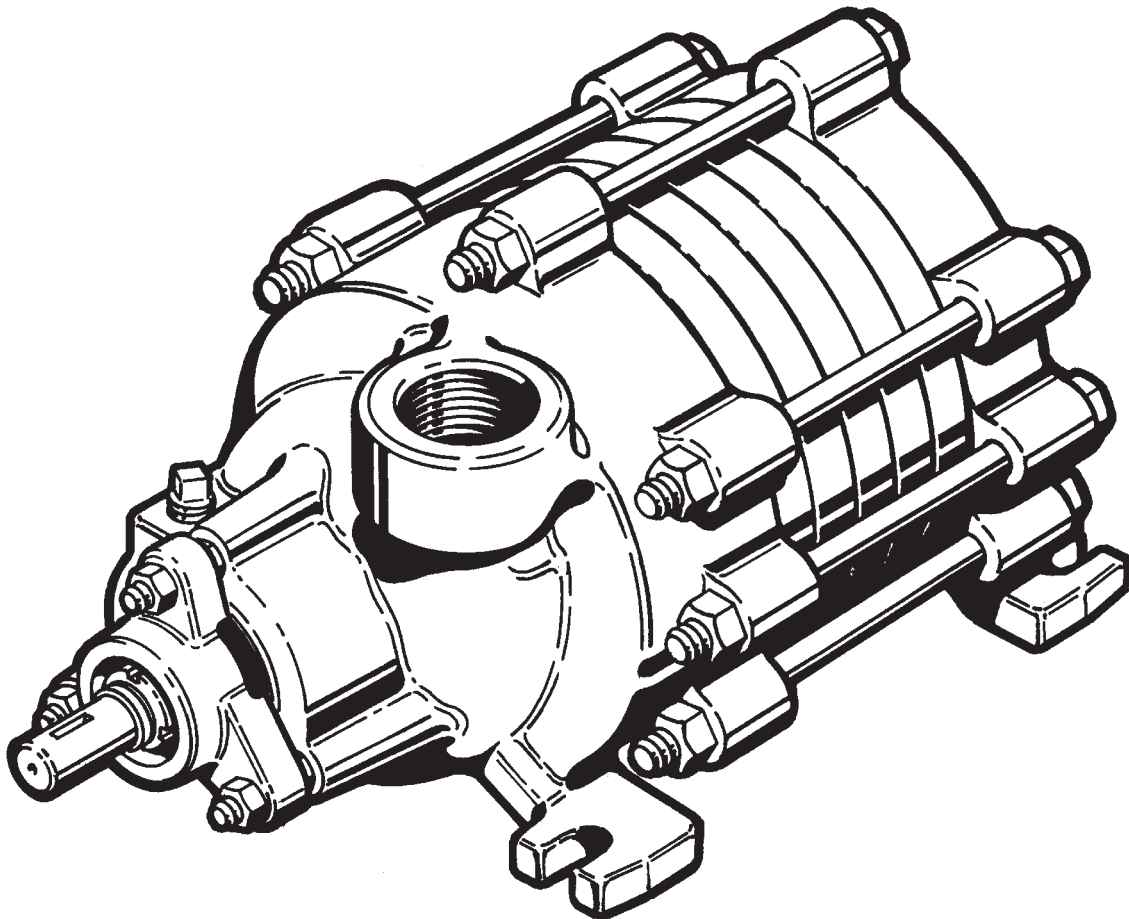


250 • 260 • 270 SERIES

Pump Manual

HORIZONTAL FLEXIBLE COUPLED



MTH PUMPS

401 West Main Street • Plano, IL 60545-1436
Phone: 630-552-4115 • Fax: 630-552-3688
Email: SALES@MTHPUMPS.COM
<http://WWW.MTHPUMPS.COM>

1. General Instructions

HORIZONTAL FLEXIBLE COUPLED PUMPS

- A. Inspection of Equipment
- B. Storage
- C. Placing Stored Pumps Into Service
- D. Application Considerations
- E. Recommended Spare Parts

When properly installed and given reasonable care and maintenance, regenerative turbine pumps should operate satisfactorily for many years. Because of the high differential pressures expected in a regenerative turbine pump, close running clearances are used to reduce internal losses. Abrasive particles, even microscopic ones, in high enough concentrations, can open up the close clearances between internal components. For critical services it is recommended that you keep an identical pump for stand-by use.

1A Inspection of Equipment

Immediately upon receipt of the shipment, inspect the equipment for damage or missing components. Check the shipping manifest and report any damage or shortage to the Transportation Company's local agent. Inspect the crate and any wrapping material before discarding. Parts or accessories are sometimes wrapped individually or fastened to the skid.

Put the instructions that came with the shipment in a safe place where they will be available to those who will be using them for installation and service.

1B Storage

If the pump is to be stored before use, it should be inspected as described in 1A, resealed and stored in a dry location. Standard shipping containers are not suitable for outdoor storage. In some areas, it may be necessary to cover the pump's exterior surface with oil or other rust inhibiting coating. All units are tested at the factory with a water/corrosion inhibitor solution, some of which will remain inside the pump upon receipt. If units are flushed out prior to storage, this inhibitor will be removed and proper care must be taken to prevent product deterioration from improper storage.

For storage beyond 30 days, a corrosion inhibiting protective fluid should be added to the internal pump cavities.

Fluids used in the pump should be selected for compatibility with pump materials. This is very important when optional seal and gasket materials have been used. Protective caps on the inlet and outlets should also be used. Caps alone are not sufficient protection.

1C Placing Stored Pumps Into Service

Special care must be taken when placing stored pumps into service. First clean the outside and flush out the inside with a process compatible fluid. Try to turn the pump using the coupling. Applying torque to the motor fan blades is not recommended. If the impeller does not break loose immediately, fill the pump with a process compatible fluid and try again in a few hours.

If this fails, read the disassembly-reassembly instructions. With an understanding of which are the bolts used to clamp the entire assembly together, loosen each of them exactly three full turns. After filling the pump with water again, up to 50 foot pounds of torque may be applied to the coupling without fear of ruining the impeller vanes. It should begin to turn well before this force is reached. Continue turning the pump while the various fasteners are returned to their original positions.

If the unit still won't turn over, DO NOT apply further force. Refer to the Disassembly/Reassembly Instructions in Section 5 to determine the cause of the problem.

1D Application Considerations

1D1 Electrical Wiring

All electrical equipment and wiring should conform to local and National Electrical Codes. Use the motor manufacturer's instructions for connecting the motor. Note the correct rotation and wiring diagrams on the assembly. Make sure the motor rotation and speed matches that required for the pump.

1D2 Construction Materials

While it is reasonable to assume that good judgement has been used in selecting all the materials in the pump for compatibility with process fluids, actual conditions sometimes vary from original specifications. Also, typical

material selection charts do not consider all the temperature, pressure, and fluid variables. The customer's engineer should be consulted for final judgement on the best materials for critical process applications.

1D3 Valves

The first valve to be considered for a regenerative turbine pumping system might be a pressure relief valve. Because this type of pump has a horsepower requirement similar to that of a positive displacement pump (constantly rising hp along with pressure increases) a relief valve can be effectively used to limit horsepower. This is helpful when a non-overloading motor is specified. It can be of critical importance if the system flow rate can vary widely. There are almost no circumstances where a flow modulating valve will work successfully in a regenerative turbine pumping system. The steep pumping characteristic, typical of these pumps, produces very large pressure changes with small variations in flow rate. As a result, the modulating flow from the valve introduces sharp pressure shock waves that shorten pump life and may cause damage to other pieces of equipment in the system.

A swing check valve is recommended in the suction line even when the pump inlet is only slightly higher than the fluid source. It should be the same size as the pump inlet or sized based on reasonable fluid friction losses.

A foot valve is recommended when lifting fluid from a sump. This will save wear and tear on any pump, even those equipped with self priming capability.

A Y-Strainer is recommended immediately ahead of the pump on any newly constructed system. This is advisable due to the probability that foreign material large enough to damage pump clearances may remain even though the piping has been flushed.

Valves in the outlet piping of a regenerative turbine pump should always be open as far as possible when the pump is started. This will reduce the start-up load on the pump and motor. Never start the pump with the discharge valve closed.

Inlet valving should be open when starting any pumping system. Without some fluid in the pump, it can gall and lock up the impellers. Violent pump failure will result from continued operation with the inlet valve closed.

1D4 Priming

Regardless of whether self-priming equipment is used or not, always fill the pump and vent it of air before starting, for best seal and pump life. Under most circumstances, regenerative turbine pumps can be made to self-prime as long as a small amount of fluid can be recirculated through the impeller and the fluid doesn't heat up noticeably.

1D5 NPSH (Net Positive Suction Head)

The NPSH required varies with every size and capacity of pump. The NPSH required by your unit can be obtained from the performance curves or from your MTH representative.

If the NPSH available is not equal to or greater than that required by the pump, it must be increased or a different pump selected. The usual method for increasing NPSH is to raise the static head on the pump inlet, (H_s).

By definition, NPSH means: "net positive suction head" above the vapor pressure of the pumped liquid available at the centerline of the pump. It should always be given in feet of pumped liquid. The NPSH is actually a measurement of the amount of energy available in the pumped liquid to produce the required absolute entrance velocity in the pump. If a pump requires more energy (or NPSH) than is available at a given capacity, the pressure at the inlet will fall below the vapor pressure of the pumped liquid and loss of performance will result as the liquid vaporizes.

P_s = Pressure in the suction vessel in PSIA.

P_{vp} = Vapor pressure of the pumped fluid in PSIA.

H_s = Static height of the pumped fluid above (+) or below (-) the centerline of the pump in feet.

H_f = All friction losses from the vessel to the pump in feet.

$$NPSH = 2.31 \left(\frac{P_s - P_{vp}}{\text{sp. gr.}} \right) + H_s - H_f$$

For boiling liquids, P_s and P_{vp} are equal. This item then becomes zero and can be omitted from the equation.

1D6 Noise

Regenerative turbine pumps typically produce a high pitched whine that increases in intensity as the differential pressure produced in the pump increases. While high frequency sound is attenuated more easily than lower frequencies, piping structures and the fluids in them readily transmit noise. Motors, bearings, and other rotating components add to the noise and sometimes create objectionable harmonics.

Adequate support for the inlet and discharge piping is important for noise reduction.

1D7 Freezing

When ambient temperatures drop below the freezing point of the fluid in a pump, consideration should be given to heating, insulating, or draining the pump. If you choose to drain the pump, and it will only be for a short period, first remove the drain plugs, then drain the inlet and outlet lines. Carefully blow out the pump with compressed air to clear all internal cavities of fluid.

1E Recommended Spare Parts

FOR CRITICAL SERVICES - a duplex installation, with two identical pumping units in parallel, is the safest and many times the most cost effective choice.

FOR IMPORTANT SERVICES - a standby pump, ready for installation is advised.

Special pricing and new pump warranty is offered for factory rebuilding. Turn around time can be as short as one or two days for standard models.

FOR ROUTINE MAINTENANCE

- only the mechanical seals and a complete set of "O" ring gaskets are recommended. Should additional components show wear, they are available from stock at the factory.

FOR SERVICING A PUMP THAT DOES NOT PRODUCE RATED HEAD

- mechanical seals, "O" ring gaskets, impeller, and channel rings.

FOR REBUILDING A PUMP

- all the components required for servicing, plus bearings, shaft, and drive keys for flexible coupled pumps, should be obtained. A factory rebuild should be considered whenever your disassembly indicates rebuilding is necessary, as this is usually more economical.

The factory recommendation for spare parts are all of those listed for rebuilding a pump, and are shown on the exploded view drawings for each individual type of pump.

250 • 260 • 270 SERIES

2. Installation

FLEXIBLE COUPLED PUMPS

- A. Location
- B. Foundation
- C. Leveling
- D. Alignment
- E. Piping
- F. Typical Installation

In order to insure that pumping equipment is installed properly and

to obtain reliable pump operation, it is recommended that only experienced, qualified erecting engineers undertake this task. Read the instructions thoroughly before beginning.

2A Location

The first consideration for locating a pump is elevation. The lowest

possible elevation using the shortest possible suction piping is usually the best. Questions regarding possible locations should be resolved by making inlet head calculations including all friction losses. The one producing the highest inlet pressure should be selected. One reason for this precaution is that, the greater the inlet pressure, the less likelihood of NPSH problems. Also, a flooded

suction is particularly helpful on start-up when the seals or the entire pump can be ruined because it is not properly primed and purged of air.

A dry, easily accessible location is also important. Allow ample clearance around the unit for free air circulation. If a dry location is not available, the pump can be mounted on a foundation, above the floor. Specify motor enclosure, pump materials, or coatings to suit the worst conditions expected. Place the pump so that it can be easily inspected and serviced during operation. Sufficient head room should be provided, particularly when lifting devices will be used for heavier assemblies.

2B Foundation

Baseplates alone are not rigid enough to maintain alignment of the unit. The pump foundation is used as a support for the baseplate to maintain alignment of the unit. If the baseplate is to be grouted to the foundation, it is only necessary to embed the edges. It is unnecessary to completely fill under the baseplate. DO NOT grout the unit to the foundation until it has been properly aligned.

The foundation must be a permanent rigid installation of concrete or other material of sufficient mass to absorb all normal vibrations. Locate the foundation bolts using a layout or template in relation to the suction and discharge piping. If concrete is being used, foundation bolts of the specified size can be enclosed in a pipe sleeve two to three diameters larger than the bolts to compensate for minor variations in alignment.

Close coupled pumps can be mounted on a steel base prior to installation or mounted directly to the foundation. Place shims under one or more of the motor feet so that strain and distortion will not result when the mounting bolts are tightened.

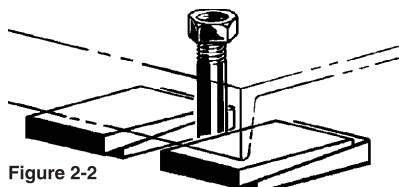


Figure 2-2

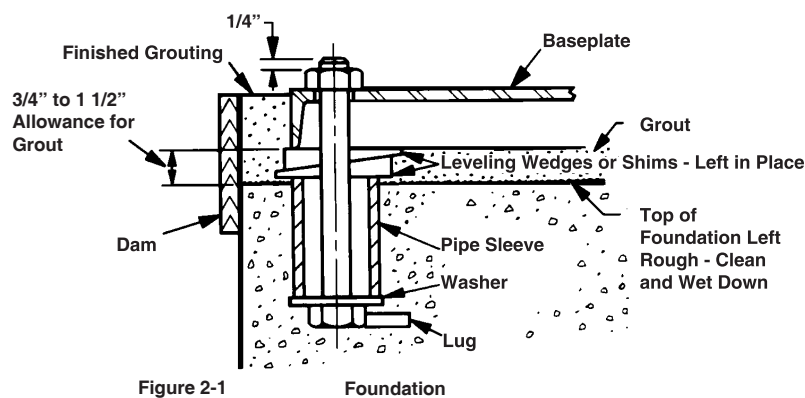


Figure 2-1 Foundation

2C Leveling

If the unit is received with the pump and motor mounted on the baseplate:

1. Place the unit in position.
2. Disconnect the coupling halves. Do not reconnect until all alignment procedures have been completed.
3. Support the baseplate on metal shims or wedges having a small taper. (Refer to Figure 2-1)
 - a. Place shims close to the foundation bolts. (Refer to Figure 2-2)
 - b. Also place shims close to where the greatest weight is located.
4. Check the baseplate for distortion:
 - a. Place a straightedge along the baseplate to determine if it is distorted.
 - b. Adjust the shims until the baseplate is not distorted.
5. Use a section of pipe to determine if the inlet and discharge openings are vertical and located properly.

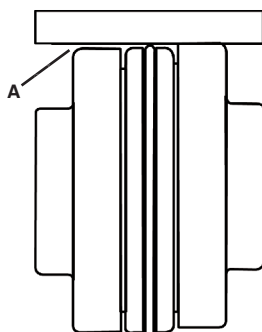


Figure 2-3

6. Correct the positions, if necessary, by adjusting the shims.

2D Alignment

Although flexible coupled pumps are carefully aligned prior to crating and shipping, it is very likely that strains imposed during transit have altered the alignment. Complete the following steps after the unit has been placed on the foundation and leveled.

To check the PARALLEL alignment: (Refer to Figure 2-3)

1. Place a straightedge across the two coupling flanges.
2. Measure the maximum offset (A), Figure 2-3, at various points around the periphery of the coupling. DO NOT rotate the coupling.
3. If the maximum offset exceeds the Parallel dimension in Chart 1 for your sleeve size, loosen the motor or pump and place thin metal shims under the motor or pump feet until the offset is corrected.
4. Torque down the motor or pump.

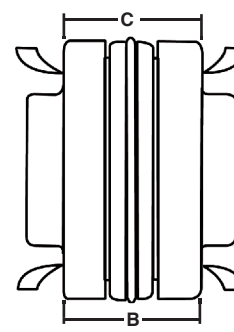


Figure 2-4

5. Recheck alignment.

To check the ANGULAR alignment: (Refer to Figure 2-4)

1. Using a micrometer or caliper, measure from the outside of one flange to the outside of the other at intervals around the periphery of the coupling. DO NOT rotate the coupling.
2. Determine the maximum (B) and minimum (C) dimensions.
3. If the difference between the maximum and minimum exceeds the Angular dimension in Chart 1 for your sleeve size, loosen the motor or pump and place thin metal shims under the motor or pump feet until the misalignment is corrected.

4. Torque down the motor or pump.

5. Recheck the parallel alignment above.

If the parallel or angular misalignment is great, this is an indication of baseplate distortion and must be corrected first, refer to 2C Leveling.

After all leveling and alignment operations have been completed, piping can begin. After the piping has been completed, refer to 2E1 Piping Alignment. Alignment of the unit must be rechecked to make certain that no piping strains are causing distortion. After approximately two weeks of operation, check the alignment again to make sure that temperature changes, piping strain, or foundation variations have not caused misalignment. If alignment has been maintained over this period, the pump and motor can be doweled to the baseplate.

the pump, particularly if the last piece is cut a little too short or long, the pump will be forced to meet the pipe and strain or distortion will result.

2E2 Piping Support

Never allow the pump to support piping. Other means such as pipe hangers and pipe supports should be used to carry piping to avoid misalignment and distortion. Consideration should be given to thermally induced expansion and contraction, particularly in long runs of straight pipe.

2E3 Piping Size

In general, outlet and especially inlet pipe sizes should be equal to or larger than those of the pump.

2F Typical Installation (Refer to Figure 2-5)

Figure 2-5 shows a typical pump installation, note the use of pipe hangers and support and the position of piping, valves, and components.

CHART 1

COUPLING TYPES JE, J, S

MAX. RPM & ALLOWABLE MISALIGNMENT

SLEEVE SIZE	MAXIMUM RPM	PARALLEL A	ANGULAR B-C
3	9200	.010	.035
4	7600	.010	.043
5	7600	.015	.056
6	6000	.015	.070
7	5250	.020	.081
8	4500	.020	.094

2E Piping

2E1 Alignment

It is important that all piping be lined up and not forced into place. It is recommended that you begin piping at the pump. If the lines are ended at

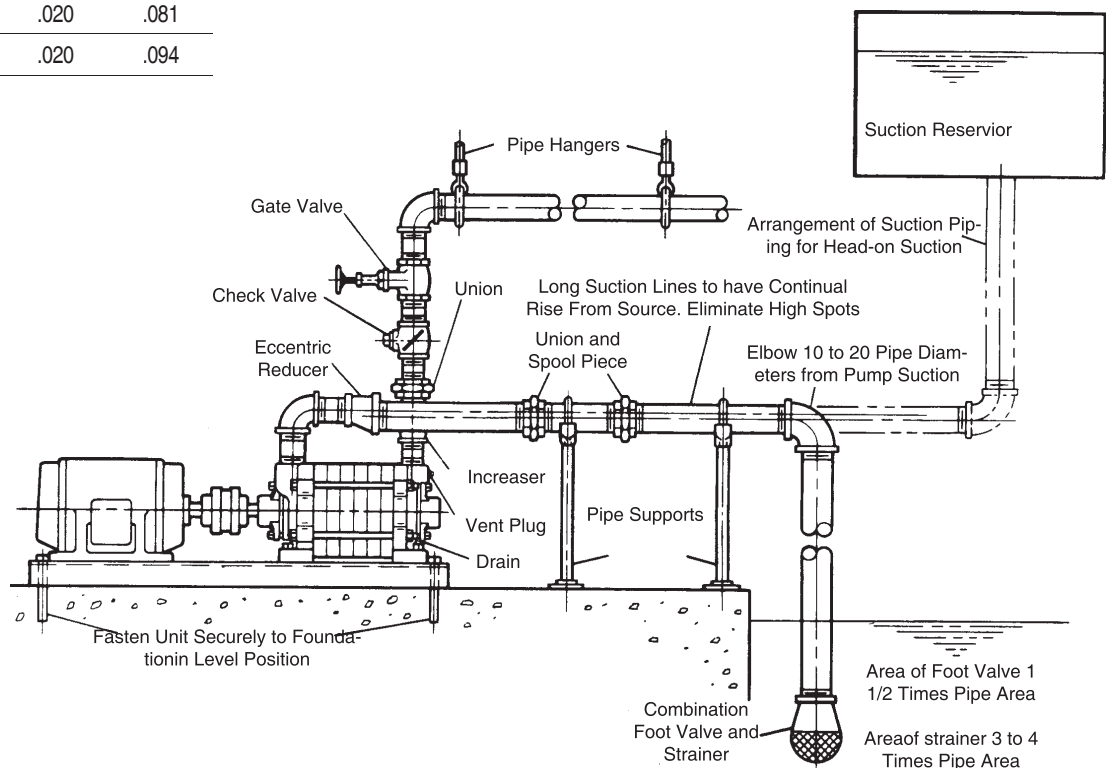


Figure 2-5

3. Operation

FLEXIBLE COUPLED PUMPS

- A. Rotation
- B. Foreign Material
- C. Electrical
- D. Adjustments
- E. Cooling Water
- F. Priming
- G. Starting
- H. Stopping

3A Rotation

The standard direction of rotation for the pump is right-handed, or clockwise when looking at the motor end of the pump. A rotation arrow, refer to Figure 3-1, is located on the pump to indicate the correct direction of rotation.

Operating the pump in reverse will cause substantial performance variations and can damage the pump.

Always confirm correct motor rotation prior to connection of the coupling. If this is not possible, perform a final rotation check as follows:

1. Jog the motor briefly.
2. Observe rotation as the unit comes to a stop.
3. Rotation should be in the direction of the arrow.

If the motor operates in the wrong direction:

1. Interchange any two leads on a three-phase motor.
2. On a single-phase motor, change the leads as indicated on the connection box cover. Some single-phase motors may not be reversible.

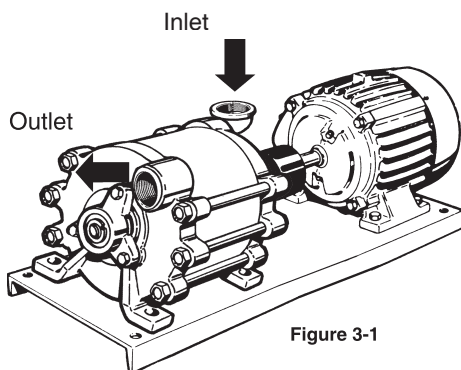


Figure 3-1

3B Foreign Material

All regenerative turbine pumps have close running clearances in order to maintain efficiency. Take extra precautions to insure that no foreign material larger than 25 microns or .001 inches is allowed to pass through the pump. Even particles of this size can damage the pump if allowed to circulate continuously. Regenerative turbine pumps are not designed for slurries.

Large particles, weld spatter, and other material found in new piping systems will bend the impeller vanes and can sometimes lock up the pump. If a new pump does not operate properly, the first thing to check for is damage from foreign material.

3C Electrical

It is important to be aware of and follow the appropriate local and national electrical codes. Do not make wiring alterations that can affect motor rotation without reconfirming correct rotation.

3D Adjustments

No adjustments are necessary or advisable on new pumps. In view of the close fits however, it is not uncommon for regenerative turbine pumps to be difficult or impossible to turn over by hand by the time they have been shipped, mounted and allowed to dry out inside. In these cases, it may be necessary to fill the pump with fluid and loosen the thru-bolts exactly one turn. (loosen guide rods also on the pumps that have them -see appropriate assembly drawings). DO NOT LOOSEN BEARING ARMS - they are difficult to adjust except as part of the assembly or reassembly process. With the thru-bolts loose, light tapping with a soft mallet on the exposed end of the pump shaft along with torque applied to the coupling should have the desired effect. If possible, spin the pump (or operate with minimal discharge pressure) while the thru-bolts are retightened exactly one turn. This will allow residue to be flushed from close fitting

ring and impeller surfaces. With the large close fitting surface area inside regenerative turbine pumps, it takes only microscopic residue to produce substantial resistance to rotation. Once loosened however, this material is quickly dispersed. Impellers quickly find their hydraulic center. Normal operation may be expected.

3E Cooling Water

When the pump is used to transfer hot fluids, consideration should be given to cooling the seals and/or selecting materials that will give satisfactory seal life. The actual temperature at the seal faces, the most critical area, will always exceed the surrounding fluid temperature.

3F Priming

Pumps should not be operated unless they are completely filled with liquid. Damage to parts of the pump that depend on liquid for their lubrication can occur. Impellers can seize quickly when a pump is run dry. Without lubrication, seal faces can be damaged from heat buildup.

3G Starting

Before starting a pump for the first time, be sure that all the preceding operations have been carried out. Proper rotation, priming, and a free turning pump are most important.

1. Start the pump with the minimum possible line restriction.
2. Open discharge valves before pressing the starter.
3. Start the pump and let the system clear of air.
4. Listen for foreign material being carried through the pump.
5. Slowly close necessary valves or otherwise place the pump into service.
6. Listen for indications of undue load or other sounds indicating problems.

- Use a clip-on ammeter to check for a steady load after approximately fifteen minutes of operation.

3H Stopping

It is best to stop the pump with the least discharge head possible both for minimizing strain on components, and to be in low power mode in anticipation of restarting.

250 • 260 • 270 SERIES

4. Service

PUMP ENDS

- Preliminary
- Tools and Equipment
- Disassembly
- Inspection of Components
- Reassembly
- Testing and Final Adjustments

4A Preliminary

Before attempting any service on the pump or motor, disconnect the electrical power to the motor. If the pump and motor are to be removed as a unit, note the wiring configuration, using colored or numbered tape.

- Disconnect the inlet and outlet piping before unbolting the pump and motor.
- Unbolt the motor from the base and remove the unit. All work on the unit should be performed on an elevated workbench whenever possible.

4B Tools and Equipment

The following tools and equipment are needed for disassembly of C3 units.

- Soft plastic or wooden mallet.
- Three jaw gear puller.
- Snap ring pliers
- Two large blade screwdrivers.
- Side cutters.
- Penetrating oil.
- Steel hammer.
- Set of numbering punches.
- 12" crescent wrench.
- 3/4" box end wrench or socket.
- 9/16" open end wrench.
- 1 1/8" wrench or socket.

4C Disassembly

- Starting at the discharge end of the pump, remove the seven nuts (#20B) and seven thru bolts (#19B).

- Remove the three nuts (#20) that hold the outboard bearing arm (#3B) in position.
- Now remove the bearing arm (#3B) using the gear puller. Disengage the tang of the bearing lock washer (#39B) from the bearing lock nut (#38B), and unscrew the nut. A punch and hammer may be needed to loosen the nut which is a standard right hand thread. Again using the gear puller, remove the out-board ball bearing (#24B). If the bearing can be removed easily, a worn bearing surface is indicated. Replace the bearing and shaft as necessary before reassembling the unit.

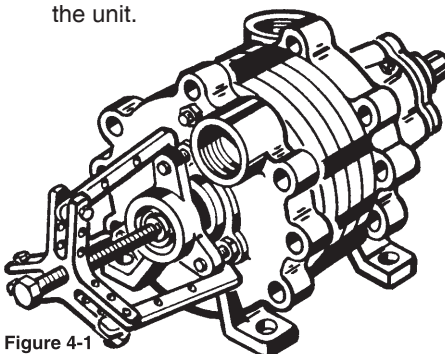


Figure 4-1

- Next, slide the rubber flinger (#21B) off the shaft.
- Evenly loosen the two guide rod nuts (#20A) to avoid distorting the guide rods. Remove the guide rod nuts.
- Loosen the out-board cover (#1B) by tapping all around the cover's outside edge with the soft mallet. Being careful not to bend the guide rods (#18B), slip the cover off.
- Next remove the seal cup (#2B) by tapping it towards the inside of the cover (#1B). Use a wood block or dowel for this to avoid damaging the seal cup or seal seat (#12.5B).
- If the seal seat (#12.5B) must be reused, use a wooden dowel slightly smaller than the hold in the seal cup to tap it out. Ceramic seal seats are easily damaged. Normally they should be replaced when servicing a pump.
- Slide the outboard seal rotating element (#12B or #13B) from the shaft. If the rotating element cannot be removed easily, it may be necessary to apply penetrating oil or some other lubricant compatible with the seal material. If any doubt exists as to what type of elastomer is used in particular seal element, check the purchase records. Reuse of seals is not recommended, regardless of its apparent condition, and replacement during reassembly is usually a wise choice. One & two stage pumps use a 1-3/8 inch type 21 crane or equivalent seal while three & four stage pumps utilize a 1-1/2 inch type 21B crane or equivalent seal on the high pressure end only.
- Remove the two "O" rings (#8B) from the guide rods, remove the large "O" ring (#7B).
- If the entire unit is to be disassembled, all the channel rings (#9B & 10B) should be marked to retain both their position and their original orientation. Number stamps are preferable to less permanent markings, which could be lost.



Figure 4-2

Mark the rings so that the top-to-bottom relationship as well as the assembly sequence is maintained.

12. Tap the outside edges of the rings with the soft mallet to loosen them. Separate the first channel ring (#9B) and carefully slide it off the guide rods. Any prying to separate the rings should be done evenly and with care.
13. On three and four stage pumps the drive collar (#14B) must be removed before disassembly can continue. Use a small screwdriver or pocket knife to remove this collar, being careful not to damage the ring groove.
14. Slide the impeller (#11B) off the shaft. If there is resistance, use some penetrating oil as prying the impeller off will ruin it.
15. Now remove the next channel ring (#10B) using the same care and procedures as with the first.
16. Using diagonal side cutters or end nippers, remove the key (#23) from the shaft.
17. For disassembly of single stage pumps (251, 261, 271 Models) proceed to step #20. For all other models, proceed to Step #18.
18. Slide off the next channel ring (#9B). Along with this ring will come an interstage bushing (#16B); note which way the bushing faces so that the same surfaces will be in contact again after reassembly.
19. Remove the remaining channel rings, impellers and interstage bushings using the same procedures as before. Stacking the parts in the order in which they are removed will help maintain the proper orientation and keep the impellers with their same pair of channel rings.
20. Now turn the pump around and remove the three nuts (#20) holding the bearing arm (#3B) in place. Disengage the tang of the lock washer (#39B) and remove the bearing lock nut (#38B).
21. Again using the gear puller, remove the entire bearing arm (#3B). The bearing (#24B) is held inside the arm by a snap ring (#4B) and will come off with the arm.
22. Slide the rubber flinger (#21B) off the shaft.
23. If the interior of the pump is not badly corroded, carefully pry the diffuser (#9BI) from the inside of the cover. However, if the pump is severely corroded, it is recommended that the shaft be tapped inward. As the shaft is driven towards the inside of the pump, both the diffuser and the impeller (#11BI) will be carried out from the cover.
24. Remove each of the two drive collars (#14B) from the drive end of the shaft. One drive collar will be inside the inlet or "eye" of the impeller. A small pocket knife or screwdriver will aid in the removal.
25. Now slide the impeller (#11BI) off the shaft; it can go only one way, towards the drive end. The remaining drive collar (#14B) may be left on the shaft unless it is damaged.
26. Returning to the cover assembly, use a wood dowel or similar device to carefully tap out the seal cup (#2B). Along with the seal cup will come the "O" ring (#6B) and the rotating element (#13B).
27. The two guide rods (#18B) are threaded into the cover (1BIN) and may be unscrewed for convenience of cleaning the cover.

4D INSPECTION OF COMPONENTS

First, thoroughly clean all parts. Then examine all components for wear and corrosion; replace any parts that show visual signs of wear. If the pump was not producing sufficient pressure or capacity, it is likely that the clearance between rings and impeller exceeds the acceptable tolerance. The impellers, at least, should be replaced. If the total side running clearance for an

impeller exceeds .009", it is unlikely that pump performance will reach that of a new pump except at lower discharge pressures.

"O" rings and other seal components should be replaced. If seals must be reused, carefully check all surfaces for cracks and nicks. Cleanliness is very important when working with mechanical seals. Even a small particle can be, and often is, the cause of early seal failures. Slight scratches that might be ignored elsewhere can produce a leak if they are on seal carbons and seat wearing surfaces.

Check to be certain that a press fit still exists between the shaft and the bearings. New bearings are recommended; if reusing bearings, clean and regrease them before assembly.

All impellers and interstage bushings are designed to float, so they should move easily on the shaft. No more than .010" diametral clearance should exist between the shaft and the inside of an interstage bushing. Greater clearance than this will produce hydraulic unbalance which will quickly wear out the impellers. If the impellers can be moved on the shaft by hand, they are loose enough. If they can be rocked or wobbled, they are too loose and must be replaced.

Closely examine the shaft for wear, pitting and corrosion. If there are worn areas, the shaft should be replaced. Pitting or corrosion in the area of a seal also requires shaft replacement as this would allow leakage under the seal. All mineral deposits and surface corrosion must be removed so that seals can slide freely during reassembly. Also remove any nicks or burrs created during the disassembly process, reclean any parts as necessary. Finally, check the shaft diameter; it should be no smaller than .003" below the nominal fractional seal sizes.

4E Reassembly

1. If the two guide rods (#18B) have been removed during cleaning, rescrew them into the inducer cover (#1BI) in the larger bore holes at the six o'clock and twelve o'clock position. Tighten

the rods until snug, being careful not to score them. Set the cover assembly aside.

- Next, get the shaft (#17B), two drive collars (#14B), one 3/16" key (#23) and the centrifugal impeller (#11BI). Looking at the largest diameter of the shaft, you will see a series of keyways. The drive end of the shaft has a 1" diameter and a larger 1/4" keyway; position the shaft with the drive end on your right. Now put a key (#23) into the keyway nearest the drive end (not the keyway in the drive end). Slide the impeller (#11BI) onto the shaft and position it over the key; the inlet or "eye" will be toward the drive end of the shaft. (refer to figure 4-3) Now install a drive collar into the groove in the shaft on each side of the impeller, the impeller is now locked into place.

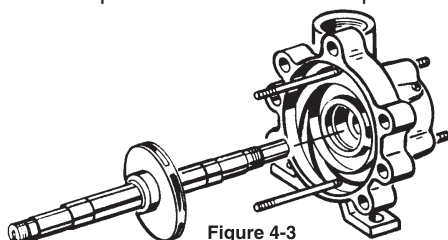


Figure 4-3

- Now slide the diffuser (#9BI) onto the shaft from the outlet end. The bore of the diffuser will fit around the hub of the impeller, and the impeller will now be encased inside the diffuser. (refer to figure 4-4)

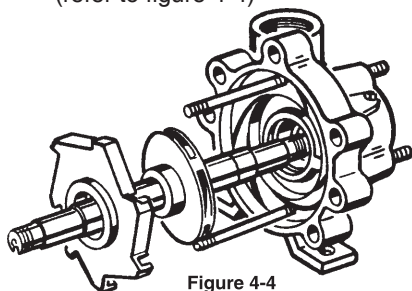


Figure 4-4

- Slide this entire shaft assembly into the cover (#1BI). The drive end of the shaft will extend through the center hole in the cover; the diffuser will be contained within the large bore on the inside of the cover. (refer to figure 4-5) The two notches in the diffuser fit the guide rods.
- Place a (#7B) "O" ring into its groove in the cover. Use a few small dots of grease to hold it in place.

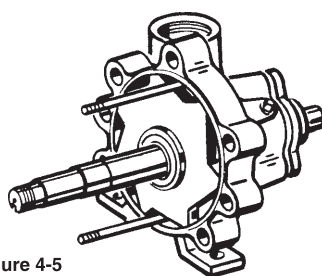


Figure 4-5

- Slide a left hand channel ring (#10B) down the guide rods. The counterbore in the ring should fit over the hub of the diffuser. The port in the channel ring would be at the eleven o'clock position with the pump feet down. Be careful not to pinch the "O" ring. (refer to figure 4-6)

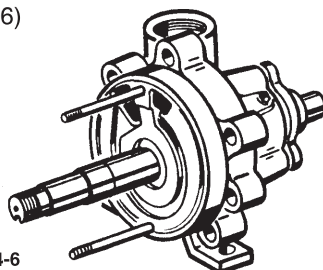


Figure 4-6

- Next put a key (#23) into the keyway in the shaft and slide an impeller (#11B) over it. (refer to figure 4-7)

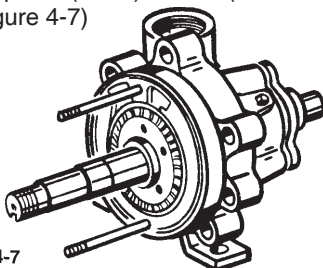


Figure 4-7

- Put another "O" ring (#7B) into place in the channel ring.
- Slide a right hand channel ring (#9B) onto the guide rods with the water channel facing down toward the impeller. The outlet opening should be in the one o'clock position, the feet of the pump down. This completes one stage; each stage consists of one left hand channel ring (#10B), one impeller (#11B)

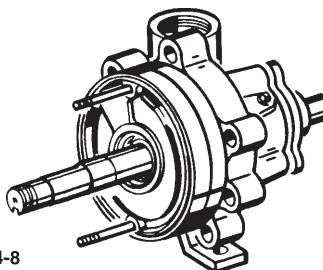


Figure 4-8

and one right hand channel ring (#9B). Each stage is assembled in this order. (refer to figure 4-8)

- Single stage pumps (251, 261, 271 Models) should proceed to Step #19. Pumps with more than one stage, proceed to Step #11.

- Slide an interstage bushing (#16B) onto the shaft; the smooth wearing face should be installed against the ring (#9B). (refer to figure 4-9)

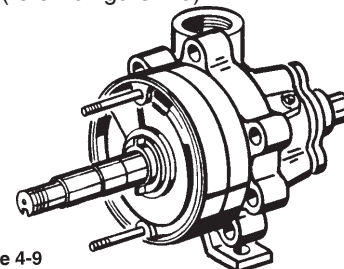


Figure 4-9

- Place another "O" ring (#7B) into position in the channel ring.

- Make sure that the fins on the interstage bushing fit into the slots in the bore of the ring. Now slide on the next left hand channel ring with the water channel facing up. However, this time, place the inlet opening in the five o'clock position. By positioning each successive stage 180 degrees from the last, hydraulic loads are radially balanced. (refer to figure 4-10)

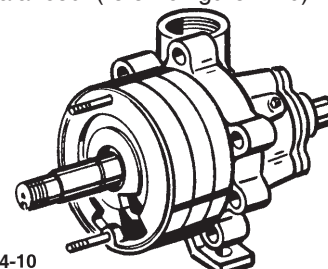


Figure 4-10

- Insert another key (#23) into the shaft, slide on another impeller (#11B) and position it over the key.

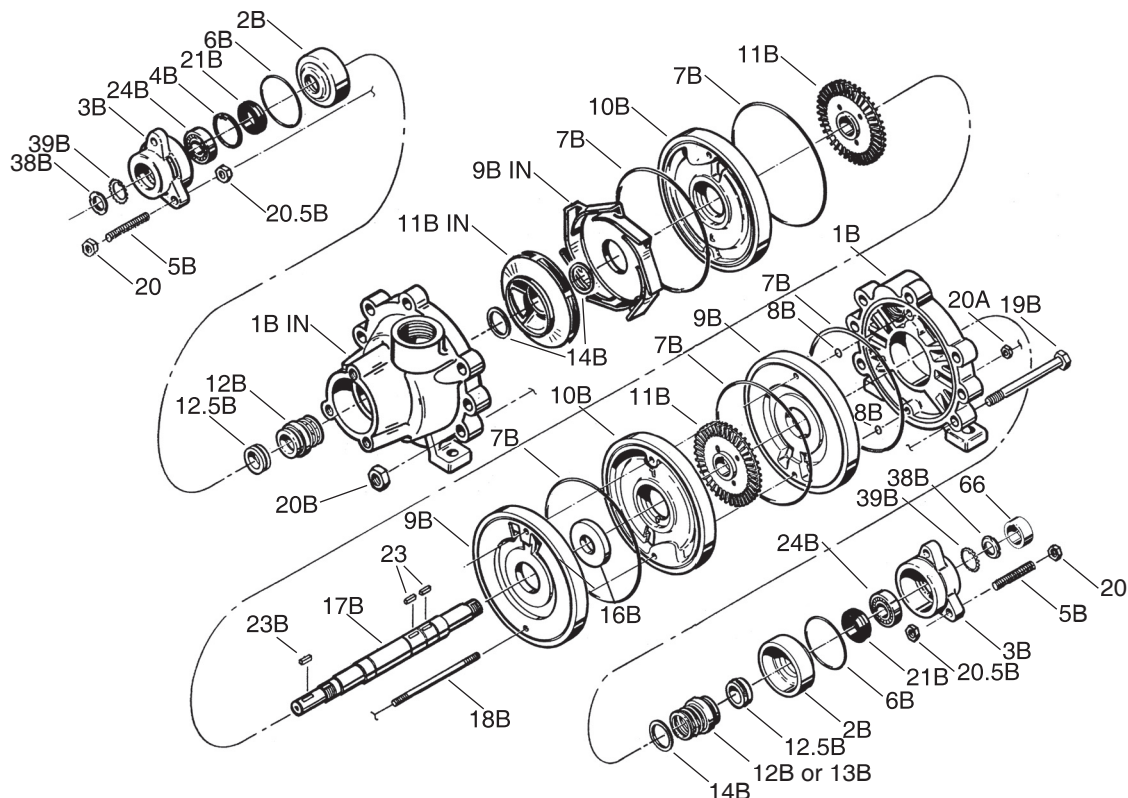


Figure 4-11

Part No.	Name	Description
1B	Cover	(Discharge)
1B IN	Cover	(Inlet)
2B	Seal Cups	
3B	Bearing Arms	
4B	Snap Ring	Bearing Retaining (inlet end only)
5B	Studs	(Bearing Arm)
6B	"O" Ring	Medium- Seal Cup
7B	"O" Ring	Large- Casing
8B	"O" Ring	Small- Guide Rod (discharge side only)
9B	Channel Ring	Right-1102 (outlet end ring)
9B IN	Diffuser	(Inducer)
10B	Channel Ring	Left- 1101 (inlet end ring)
11B	Impeller	
11B IN	Impeller	(Centrifugal)
12B	Seal Rotating Element	Unbalanced (inlet end- all pumps) (outlet end on Standard One & Two Stage Pumps)
12.5B	Seal Stationary Seat	Both Seals
13B	Seal Rotating Element	Balanced (outlet end on Standard Three & Four Stage Pumps)
14B	Drive Collar	Spirolox
16B	Interstage Bushing	on 2, 3, & 4 stagepumps
17B	Shaft	
18B	Guide Rod	
19B	Thru Bolt	Casing
20	Nut	Bearing Arms
20B	Nut	Casing
20.5	Jam Nuts	Bearing Arms
20A	Nut	Guide Rod
21B	Flinger	
22	Drain Plug	
23	Key	Impeller
23B	Key	Coupling
24B	Ball Bearing	Sealed
38B	Bearing Lock Nut	
39B	Bearing Lock Washer	
66	Protective Bearing Cap	

15. Put another "O" ring (#7B) into place.
16. Complete the second stage assembly by installing a right hand channel ring (#9B) facing down toward the impeller. The discharge opening should be in the seven o'clock position (180 degrees from the one o'clock position used in Step #9). (refer to figure 4-12)

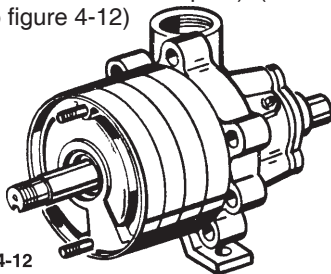


Figure 4-12

17. Continue installing the stages in this manner. Don't forget the interstage bushings and the "O" rings. Remember to stagger the ring sets 180 degrees. The odd numbered stages should have their openings at the top of the pump as described for the first stage installation. Even numbered stages should have their openings at the bottom of the pump as described for the second stage installation.
18. On three and four stage pumps, after the last impeller has been installed, a drive collar (#14B) must be installed to locate the seal rotating element. If the groove is hidden, gently tap the shaft from the drive end until it just becomes visible.
19. Add the last "O" ring (#7B) to the channel ring; add one "O" ring (#8B) onto each of the two guide rods (#18B).
20. Slide the outlet end cover (#1B) down the guide rods and up against the last channel ring. Make sure the feet are in the down position to match the feet at the inlet end.
21. Thread a nut (#20A) onto each guide rod and tighten just enough to hold the assembly together. Do not tighten them at this time.
22. Carefully press a seal seat (#12.5B) into each of the two

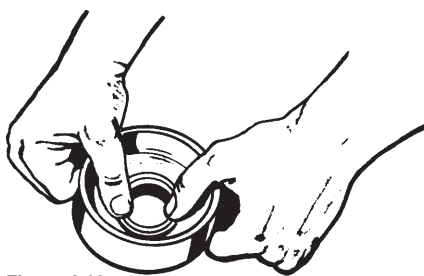


Figure 4-13

seal cups (#2B). The smoothest side of the seat should face up towards you. (refer to figure 4-13) Use a clean, soft material as a cushion between the seal face and your pressing tool (or your fingers), as dirt or scratches can quickly ruin a seal.

23. When installing seats and rotating elements, a thin film of compatible lubricant may be applied to seal surfaces. This will help seals to become mated when they first come in contact. Glycerine, ethylene glycol and mineral oil are sometimes used on standard seals which use EPR elastomer. Do not use a petroleum based lubricant on standard seals.
24. The seal rotating element can now be installed. One and two stage pumps position the seal (#12B) by a shoulder on the shaft. Three and four stage pumps locate the seal (#13B) by means of a drive collar (#14B). The seal rotating element, when lubricated, must be allowed to move freely on the shaft. This will enable the seal to seek a hydraulic balance upon operation.
25. Install the seal cup with the smooth face of the seal towards the rotating element. Slide the cup down the shaft; using a short length of pipe, gently tap the cup down until it contacts the ring. (refer to figure 4-14)

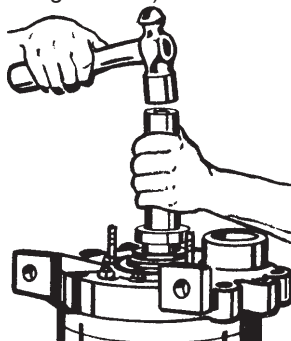


Figure 4-14

26. Now press a flinger (#21B) onto the shaft until it is against the seal cup.
27. Next, providing a solid support for the drive end of the shaft (or standing the unit up on end), drive or press a bearing (#24B) onto the shaft until it rests firmly against the shoulder on the shaft. A metal sleeve or pipe, properly sized to contact only the inner bearing race, will be very helpful in this operation. It is best to have another person holding the pump upright while you work on it.
28. Slide a bearing lock washer (#39B) onto the shaft, the inside tang in the shaft groove, the outside tangs pointing up.
29. Screw a bearing lock nut (#38B) onto the shaft. Snug the nut up against the bearing; now tighten the nut to the next position where a tang is lined up with a slot in the nut. Using a screwdriver, bend the tang up into the slot.
30. Place an "O" ring (#6B) into the groove around the outside of the seal cup.
31. Carefully tap a bearing arm (#3B) over the bearing and retain with three nuts (#20). (refer to figure 4-15) They should be finger tight only. Return the pump to floor position.

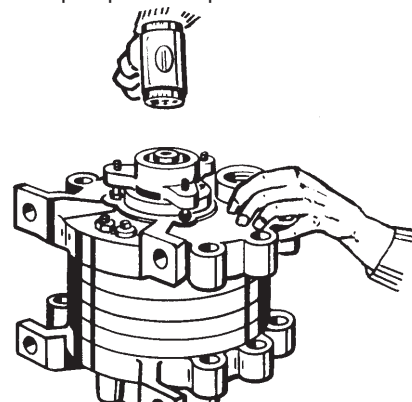


Figure 4-15

32. Install the seven thru bolts (#19B) and nuts (#20B), tighten evenly, torque to 80 foot pounds. Torque both guide rod nuts (#20A) to 45 foot pounds. Next stand the pump on end again, this time with the drive end up. Install the rotating element

(#13B), seal cup assembly (#2B) and flinger (#21B) using the same procedures as on the other end.

33. Next, drive a bearing (#24B) into the bearing arm, applying force only to the bearing's outer race. Insert a snap ring (#4B) into the groove provided in the bearing arm. The beveled side of the snap ring faces away from the bearing. (refer to figure 4-16)

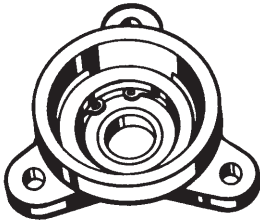


Figure 4-16

34. Now place an "O" ring (#6B) around the top of the seal cup.
35. Keeping the pump upright, place a metal plate or other metal support piece beneath the shaft end (or work on a cement floor). Now drive the bearing arm assembly onto the shaft using a metal sleeve which contacts the inner race only. Drive the assembly down onto the shoulder and secure with three nuts (#20), tighten finger tight only. (refer to figure 4-17)

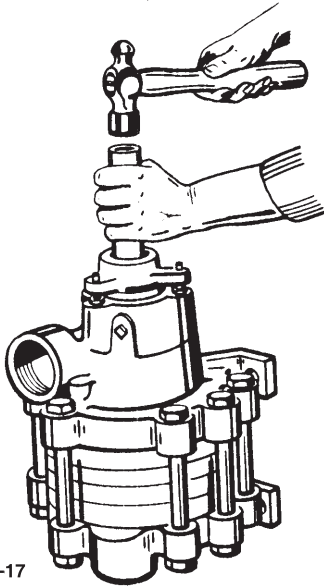


Figure 4-17

36. Install another bearing lock washer (#39B) and bearing locknut (#38B) on the shaft as before.

4F Testing and Final Adjustments

1. Place a key (#23B) into the keyway in the drive end of the shaft where the motor coupling will go. Make certain that the pump shaft can be rotated; if not, resolve the problem now. Three and four stage pumps may be tight but should be easily rotated using a 12" crescent wrench on the shaft.
2. Evenly tighten the three nuts (#20) which hold the inlet bearing arm in place. Snug up and lock the bearing arm in place with the jam nuts.
3. Evenly tighten the three nuts (#20) which hold the outlet bearing arm in place. Tighten until a noticeable drag can be felt while rotating the shaft, back the nuts off just to the point where the drag disappears.
4. For optimum final adjustment, remount the pump in the installation with motor coupling and piping connections. Remember to check for correct rotation.
5. Open the inlet and outlet valves; do not start the pump until the fluid has displaced the air inside the pump. Run the unit at low head, if possible, until the adjustments are made.
6. Evenly tighten the three nuts (#20) on the discharge end bearing arm. On a new pump, or one with new rings and impellers, these nuts cannot be tightened very much before distress becomes very noticeable. Slowly and evenly, back the nuts off until the pump runs smoothly. Now use the three jam nuts (#20.5) to lock the bearing arm in place. (On older pumps, the nuts (#20) on each end may be tightened up to 20 foot pounds.) Depending on the condition of the unit, tightening the bearing arm nuts can improve and sometimes restore pump performance. Jam nuts should be backed off slightly to allow sensitive bearing arm adjustments. After the adjustments are completed, tighten the jam nuts until they again contact the bearing arm.
7. With the adjustments completed, the pump is now ready for regular operation.

NOTE: If an Amprobe or other current measuring device is used to test the system as it is returned to normal operation, a variation or wavering may be detected as the impellers seek hydraulic balance. The variation may continue a few hours, or even days, before complete balance is achieved.

5. Troubleshooting

FLEXIBLE COUPLED PUMPS

- A. Failure to Pump
- B. Reduced Capacity
- C. Reduced Pressure
- D. Pump Loses Prime After Starting
- E. Excessive Power Consumption
- F. Pump Vibrates or is Noisy
- G. Mechanical Problems
- H. Seal Leakage

5A Failure to Pump

1. Pump not up to speed — Use Tachometer to determine actual RPM. Check voltage and wiring connections.
2. Pump not primed — Confirm that pump and all inlet piping are filled with fluid.
3. Discharge head too high — Install a pressure gauge at the pump discharge to determine the actual operating pressure. Compare readings with pump performance curve. A larger pump may be necessary.
4. Excessive suction lift — Relocate pump, supply tank, or both to minimize suction lift.
5. Wrong direction of rotation — Compare pump rotation with arrow on pump. Standard pumps rotate in a clockwise direction when looking at the shaft extension end or from the motor end on close-coupled pumps. Reverse two leads on a three-phase motor to change rotation. Check motor nameplate for single-phase operation.
6. Clogged suction line, strainer, or foot valve — Inspect and clean out if necessary.
7. Air pocket in suction line — Look for high spots in inlet piping system. Evacuate the system with a vacuum pump if necessary.

5B Reduced Capacity

1. Pump not up to speed — Use a tachometer to determine actual

RPM. Check voltage and wiring connections.

2. Excessive suction lift — Relocate pump, supply tank, or both to minimize suction lift.
3. Insufficient NPSH — Relocate pump, supply tank, or both to improve NPSH available if possible. Increase suction pressure. Reduce fluid temperature. Select a pump with lower NPSH requirements.
4. Mechanical damage — Rotate the pump by hand to determine if there are tight spots. Broken or bent impeller vanes can sometimes be detected in this manner. If there is a suspicion of damage, remove the pump from service and disassemble for inspection.
5. Air leak in the suction line — Fill the system with fluid and hydrostatically test. Tighten connections or replace leaky components.
6. Air pockets in the suction piping — Operating the system at maximum flow conditions will usually clear the lines. Evacuate the system with a vacuum pump if necessary.
7. Suction lines, strainer, or foot valve too small or clogged — Inspect and clean out as necessary. Fittings and lines should be at least equal to the pump suction size.
8. Discharge head too high — Install a pressure gauge at the pump discharge to determine the actual operating pressure. Compare readings with pump performance curve. A larger pump may be necessary.
9. Excessive wear — If a pump had previously performed satisfactorily and now gives evidence of reduced performance, it should be disassembled and examined for wear after the simpler possible problems have been investigated.

5C Reduced Pressure

1. Pump not up to speed — Use a tachometer to determine actual RPM. Check voltage and wiring connections.
2. Air or vapor in liquid — Install a separator in the suction line. Check the seal on the inlet end of the pump to determine if air is being drawn in. Hydrostatically test the system to insure that there are no leaks.
3. Mechanical wear or damage — Rotate the pump by hand to determine if there are tight spots. Broken or bent impeller vanes can sometimes be detected in this manner. If there is a suspicion of damage or wear, remove the pump from service and disassemble for inspection. Look for wear on the impeller and channel rings.
4. System head less than expected — Replace pump with higher capacity unit or add a valve or orifice to increase line resistance.

5D Pump Loses Prime After Starting

1. Leak in suction line — Fill the system with fluid and hydrostatically test. Tighten connections or replace leaky components.
2. Air entering pump through inlet seal or “O” rings — Hydrostatically test the pump and look for leaks. Replace faulty seals or “O” rings.
3. Insufficient NPSH or too much suction lift — Relocate pump, supply tank, or both to improve inlet conditions. Increase suction pressure. Reduce fluid temperature. Select a pump with lower NPSH requirements.

5E Excessive Power Consumption

1. Speed too high — Check RPM with tachometer.

2. Discharge head too high — Install a pressure gauge at the discharge to determine the actual operating pressure. Compare readings with pump performance curve. A different pump, motor, or both may be necessary.
3. Specific gravity or viscosity too high — Check fluid involved. A different motor may be necessary.
4. Mechanical damage — Turn pump over by hand. After a few days run-in period, all models should turn over by hand with no tight spots. An exception to this is when the pump has been idle for some time. In this case, run the pump for a few hours before checking for tight spots. If there is a suspicion of damage, remove the pump from service and disassemble for inspection.
5. Pump not fully “broken in” — It is normal for new pumps to consume higher than normal current during the break-in period. If high power consumption persists beyond a few weeks, it is unlikely that further operation will reduce consumption.
6. Pump not properly adjusted — Loosen all nuts on pump exactly one turn. Follow the instructions in Section 4F Testing and Final Adjustments, for repositioning fasteners.

5F Pump Vibrates Or Is Noisy

1. Pump and motor are misaligned — Follow the instructions in Section 2D Alignment, for proper alignment.
2. Insecure mounting — Follow instructions in Section 2, 2B Foundation.
3. Piping load on pump — Install piping supports and check to see that there is no strain on the pump.
4. Mechanical damage — If mechanical damage is suspected, check first to

determine if the pump turns freely. Disassemble for inspection if tight spots are found.

5. Pump has a high pitched whine — This is typical of a regenerative turbine pump. The intensity should increase as pressure increases. Over a period of a few weeks the noise level will diminish and will be noticeably quieter as it approaches a “run-in” condition.

5G Mechanical Problems

1. Short bearing life — Bearings damaged due to leaky seals. Coupling misalignment. Piping load on pump. RPM or pump pressure too high.
2. Pump locked up — Pump dried out and close clearance areas rusted. Follow installation instructions for loosening the pump. Foreign material in pump. Flush out. Disassemble if flushing is not successful.
3. Pump leaks — Seal or “O” rings are usually the problem. Disassembly and replacement is the solution if tightening the thru bolts has no effect.

5H Seal Leakage

1. Worn seat or rotating element — Seals will last many years operating on cold clear water or other fluids with reasonable lubricity. Particles, even microscopic, increase normal wear rates. Temperatures near the fluid’s boiling point can reduce lubricity, which in turn increases wear. Some chemicals will erode the seal faces or plate out on the faces producing an abrasive effect. Immediate seal replacement is recommended when leaks become evident, since bearings are quickly ruined when exposed to moisture. Severe mechanical damage results when the bearings fail.
2. Improperly installed seat or rotating element — If a seal has recently been replaced,

look for a missing “O” ring/cup around the seat, or a seat that was installed cocked or backwards. The smooth surface should face the rotating element. The rotating element may be in backward or improperly positioned. Refer to the appropriate seal diagrams and instructions to confirm the correct seal orientation. Rotating elements sometimes stick in the wrong position if left partially assembled for some time. Make sure a rotating element can be moved axially on the shaft before closing up the pump, and then make the final adjustments as soon as possible.

3. Seat broken during assembly — Ceramic seats are particularly vulnerable to damage. Carefully follow reassembly instructions for seals. Seals on flex-coupled units can be damaged by excessive hammering when installing the coupling onto the shaft extension.
4. Pitted shaft under the seal — Reusing a shaft or sleeve when repairing a pump is the probable cause of this problem. The seal rotating element can produce a pitted surface underneath its elastomer portion during normal use. This is normally not a problem for the first seal assembly since the elastomer is conforming as this action occurs. A new seal can leak before it conforms if the pits are large enough. If any pits are visible to the unaided eye, shaft or sleeve replacement is advised.

250 • 260 • 270 SERIES

6. Parts and Repair Services

- A. Parts
- B. Repair Service
- C. Warranty Service
- D. Motors, Mechanical Seals, and Accessories

6A Parts

Repair parts may be obtained through your local Authorized MTH Pumps Representative or Distributor who can be found in the yellow pages or by contacting MTH Pumps at: 401 W. Main St. • Plano, IL 60545
Phone: 630-552-4115
Fax: 630-552-3688.

6B Repair Services

Repair service for an MTH pump should be obtained from the company through which it was purchased.

In the event this is not possible, the name and phone number of a nearby MTH representative or distributor may be obtained by contacting MTH Pumps. In the event that it is necessary to return the pump to the factory for repairs, remove all accessories attached to the pump. We cannot accept responsibility for their safe removal, storage, and return.

6C Warranty Service

All requests for warranty claims should be made through the company from which the pump was purchased or supplied. Complete details on what is wrong with the pump must be provided along with information on the system in which it is installed. Refer to the MTH Pumps

Limited Warranty statement. Return authorization must be obtained prior to returning any equipment.

6D Motors, Mechanical Seals, and Accessories

Repair or replacement service on motors, mechanical seals, relief valves, or other accessories should be obtained from the manufacturer of these components. MTH does not carry replacement parts and is not authorized to render repair service on these components. Replacement mechanical seals are stocked at MTH and are always available insofar as possible for immediate shipment. Warranty service, as well as expert application information can be obtained from your local seal manufacturer's sales office.

250 • 260 • 270 SERIES

7. Limited Warranty

All requests for warranty claims should be made through the company from which the product was purchased or supplied. Complete details on what is wrong with the product must be provided along with information on the system in which it is installed. Refer to the MTH Pumps Limited Warranty statement below for more information. Return authorization must be obtained prior to returning any equipment.

MTH Tool Company, Inc. / MTH Pumps, hereinafter referred to as "MTH", warrants for a period of twelve (12) months from the date of shipment ("The Warranty Period"), that the products manufactured by it will be free from defects in material and workmanship. MTH will correct defects in material or workmanship which may develop in its products under proper or normal use during the Warranty Period and under the conditions of this Warranty. This Warranty does not extend to anyone except the original consumer-purchaser. Damage to the product due to improper handling, improper storage, improper maintenance, or improper application is not covered by this War-

ranty. Warranty claims for special order items or accessories not manufactured by MTH (such as motors, valves, or mechanical seals) should be directed to those who manufactured the item. MTH will repair or replace, at its option and expense, its products proved to be defective after examination by an authorized representative of MTH. The defective Product must be returned, transportation prepaid, to the factory at Plano, Illinois, USA. Disassembly of the product (especially pumps) impairs determination of reasons for failure and shall be cause for voiding this Warranty. The Product, repaired or replaced, will be shipped F.O.B. MTH's factory. **This is MTH's sole warranty. MTH makes no other warranty of any kind, express or implied, and all implied warranties of merchantability and fitness for a particular purpose which exceed MTH's aforesated obligations are hereby disclaimed by MTH and excluded from this warranty.** MTH neither assumes nor authorizes any person to assume for it, any other obligation in connection with the sale of the Product and any enlargement of this

Warranty by a purchaser shall be for its own account and its exclusive responsibility. This Warranty shall not apply to any Product or parts of Products which: (a) have been repaired, assembled, or altered outside of MTH's factory, in any manner; or (b) have been subjected to misuse, negligence or accident; or (c) have been used in a manner inconsistent with MTH's printed instructions, specifications, or the customer supplied application specification; or (d) have been damaged due to defective power supply or faulty installation. **MTH shall not be liable for incidental and consequential losses and damages under this express warranty, any applicable implied warranty, or claims for negligence, except to the extent that this limitation is found to be unenforceable under the applicable State law. Some States do not allow the exclusion or limitation of incidental or consequential damages, so the above limitation or exclusion may not apply to you. This warranty gives you specific legal rights, and you may also have other rights, which vary from State to State.**



MTH PUMPS

401 West Main Street • Plano, IL 60545-1436
Phone: 630-552-4115 • Fax: 630-552-3688
Email: SALES@MTHPUMPS.COM
<http://WWW.MTHPUMPS.COM>