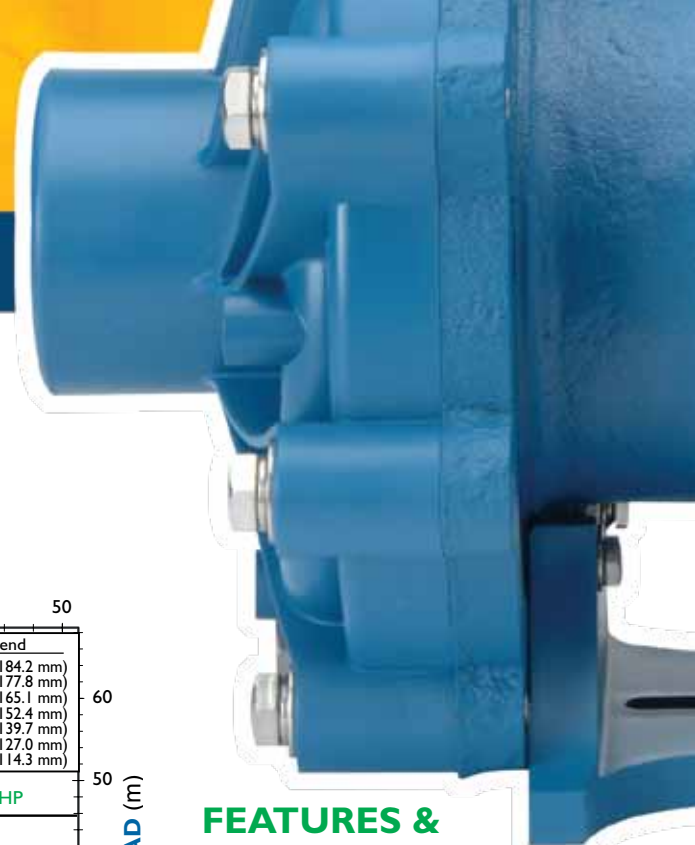


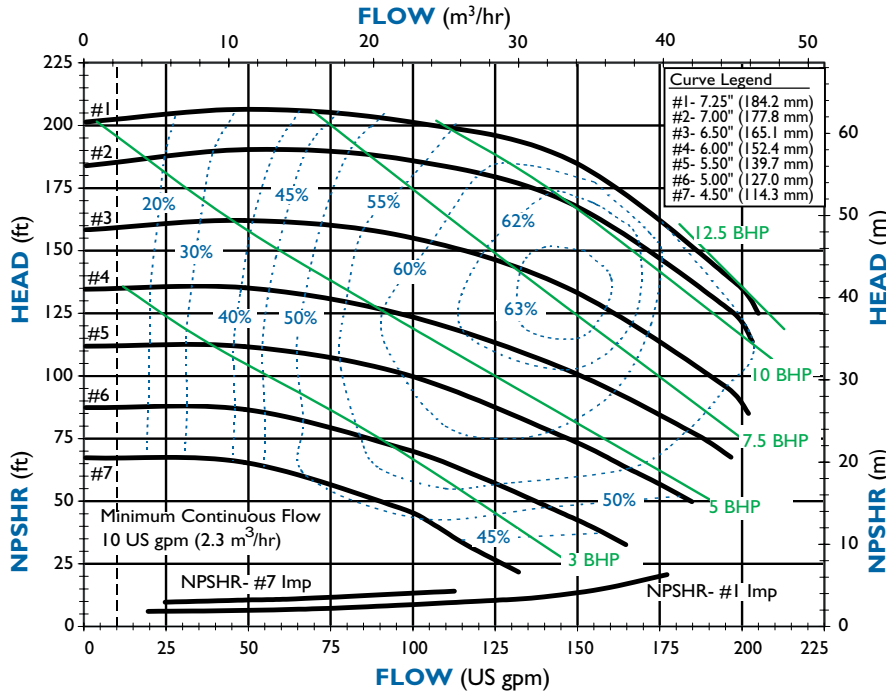


FINISH THOMPSON INC.

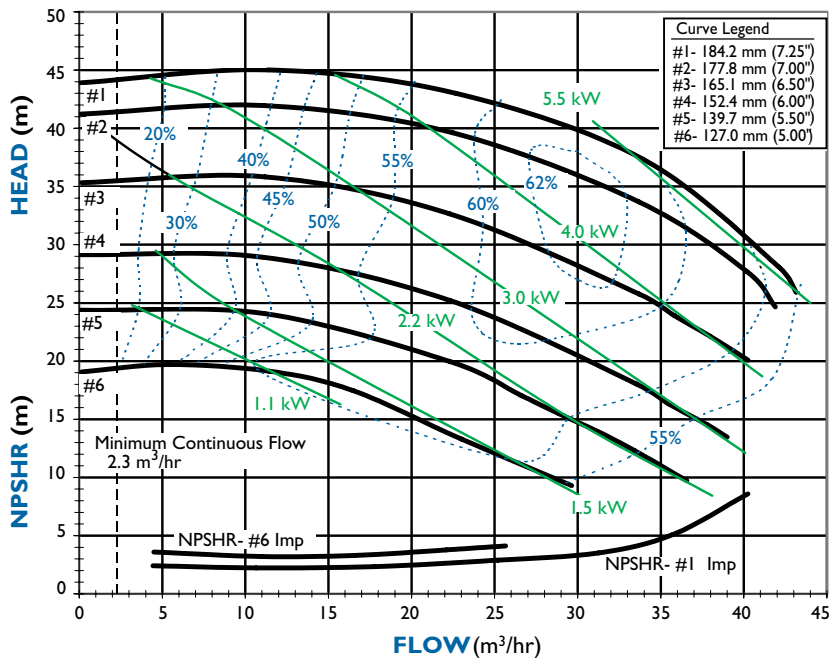
# DB Series: Model DB22



**DB22 PERFORMANCE - 3450 RPM**



**DB22 PERFORMANCE - 2900 RPM**



## FEATURES & CAPABILITIES

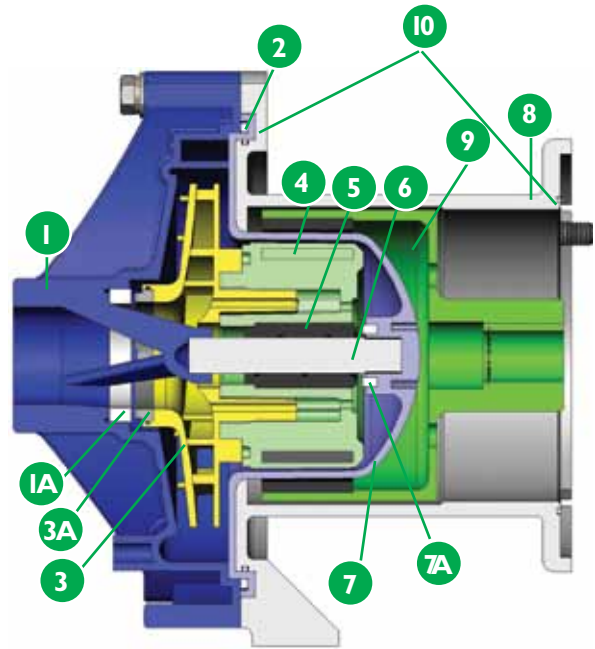
- + Five-year warranty
- + Extended run dry ability (with carbon bushing)
- + High operating efficiency
- + Easy set, measurement-free drive
- + Polypropylene or PVDF construction
- + Open or closed impeller options
- + Powerful neodymium magnets
- + Close-coupled design
- + Threaded (NPT or BSP), union or flange connections
- + 1/8 inch impeller trims available
- + Vertical installation option with IEC motor
- + Mounts to NEMA and IEC (B5 and B14) motor frames
- + Replaceable shaft
- + ISO 1940 G2.5 balancing
- + CE certified/ATEX available
- + Working pressure up to 90 psi (6.2 bar)
- + Up to 1.8 SG
- + Viscosity up to 150 cP
- + Polypropylene—180° F (82° C)
- + PVDF—220° F (104° C)

## APPLICATIONS

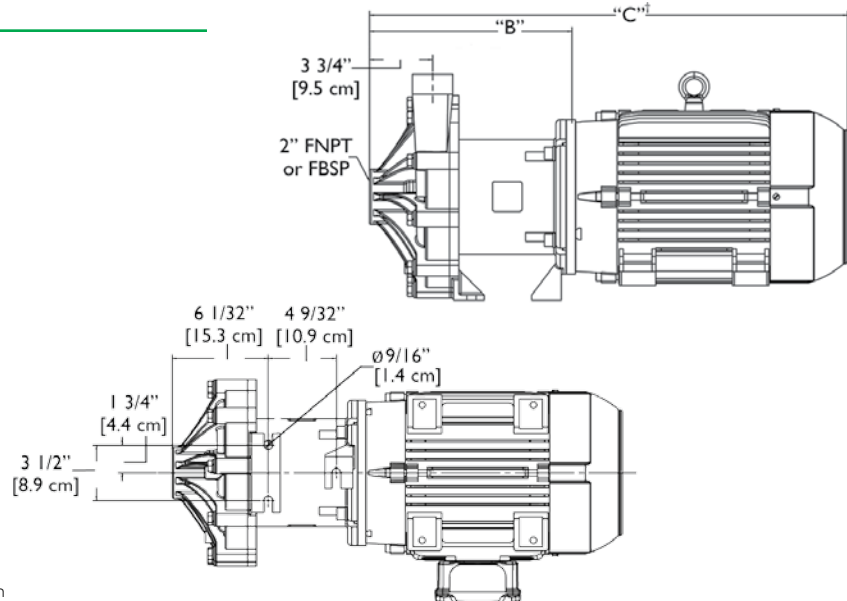
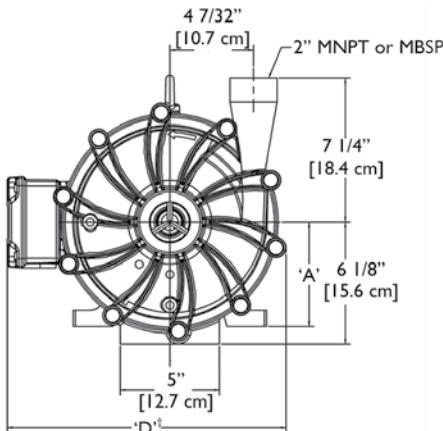
- + Chemical processing
- + Plating
- + Water and wastewater
- + Electronics
- + Pharmaceuticals
- + Wet scrubber
- + Pulp and paper
- + Heat exchanger

Notes: Performance curves above are based on closed impellers. Contact the factory for performance based on open impellers. Maximum power @ 3450 RPM is 13 hp (9.7 kW). [Consult factory for applications above 10 hp (7.5 kW)]. At 2900 RPM, maximum power is 7.5 kW (10 hp).

| Description                                     | Polypropylene Models  | PVDF Models  |
|---|---|--|
| <b>1</b> Impeller housing                       | Glass-fiber reinforced polypropylene                                | Carbon-fiber reinforced PVDF                               |
| <b>1A</b> Impeller housing thrust ring options  | High-purity alumina ceramic, silicon carbide                        |  |
| <b>2</b> O-ring options                         | FKM, EPDM, Simriz®, Kalrez®   |  |
| <b>3</b> Impeller                               | Glass-fiber reinforced polypropylene                                | Carbon-fiber reinforced PVDF                               |
| <b>3A</b> Impeller thrust washer options        | Fluorosint®, silicon carbide  |  |
| <b>4</b> Inner drive                            | Neodymium iron boron magnets encapsulated in unfilled polypropylene | Neodymium iron boron magnets encapsulated in unfilled PVDF |
| <b>5</b> Bushing options                        | Carbon, PTFE, silicon carbide                                       |  |
| <b>6</b> Shaft options                          | High-purity alumina ceramic, Hastelloy® C, silicon carbide          |  |
| <b>7</b> Barrier                                | Glass-fiber reinforced polypropylene                                | Carbon-fiber reinforced PVDF                               |
| <b>7A</b> Barrier thrust ring                   | High-purity alumina ceramic   |  |
| <b>8</b> Motor adapter                          | Ductile iron  |  |
| <b>9</b> Outer drive magnet                     | Nickel-plated, neodymium iron boron magnets/steel                   |  |
| <b>10</b> Motor adapter sealing kit (NEMA only) | Buna N (std), FKM, EPDM   |  |



Kalrez® is a registered trademark of DuPont Performance Elastomers  
 Simriz® Perfluoroelastomer is a registered trademark of the Simrit® division of Freudenberg-NOK  
 Hastelloy® C is a registered trademark of Haynes International, Inc.  
 Fluorosint® is a registered trademark of Quadrant Engineering Plastics.



Also available 2" x 2" 150 lb. ANSI-ISO PN20/PN40 flange, 3" x 2" ANSI20 flange or 63 mm x 63 mm union connection

| Motor Frame                | A                  | B                   | C <sup>†</sup>      | D <sup>†</sup>      | Weight - lbs. [kg] |           |
|----------------------------|--------------------|---------------------|---------------------|---------------------|--------------------|-----------|
|                            |                    |                     |                     |                     | PP                 | PVDF      |
| <b>NEMA 184TC</b>          | 4-1/2" [11.4 cm]   | 11-13/32" [29.0 cm] | 26-7/16" [67.2 cm]  | 12-15/32" [31.7 cm] | 40 [18.1]          | 44 [20.0] |
| <b>NEMA 213/215TC</b>      | 5-1/4" [13.3 cm]   | 12" [30.5 cm]       | 28-5/16" [71.9 cm]  | 14-1/32" [35.7 cm]  | 45 [20.4]          | 49 [22.2] |
| <b>IEC 90 w/B14 or B5</b>  | 3-17/32" [9.0 cm]  | 12-5/16" [31.2 cm]  | 23-5/16" [59.2 cm]  | 11-11/16" [29.7 cm] | 48 [21.8]          | 52 [23.6] |
| <b>IEC 100 w/B14 or B5</b> | 3-15/16" [10.0 cm] | 12-5/16" [31.2 cm]  | 24-23/32" [62.8 cm] | 12-1/8" [30.8 cm]   | 48 [21.8]          | 52 [23.6] |
| <b>IEC 112 w/B14 or B5</b> | 4-13/32" [11.2 cm] | 12-5/16" [31.2 cm]  | 25-15/32" [64.7 cm] | 12-1/8" [30.8 cm]   | 48 [21.8]          | 52 [23.6] |
| <b>IEC 132 w/B14 or B5</b> | 5-3/16" [13.0 cm]  | 12-3/8" [31.4 cm]   | 28-15/32" [72.3 cm] | 14-3/16" [36.0 cm]  | 51 [23.1]          | 55 [24.9] |

Note: Contact factory for dimensions on flanged or union models. Dimensions and weights are for reference only.  
<sup>†</sup>Varies with motor manufacturer

