

# 2" Metallic Models OEM / Transfer Pumps

## 2" Metallic Performance Specifications

<b>Ratio:</b>	1:1								
<b>Maximum GPM (LPM):</b>	172 (651)								
<b>Displacement per cycle:</b> @ 100 psi Gallons (Liters)	1.4 (5.3)								
<b>Air Inlet (Female):</b>	3/4 - 14 N.P.T.F.-1								
<b>Fluid Inlet/Outlet (Female):</b>	PX20X-AXX-XXX-B( ) 2 - 11-1/2 N.P.T.F.-1 PX20X-BXX-XXX-B( ) Rp 2 (2 - 11 BSP parallel) PX20X-FXX-XXX-B( ) 2" A.N.S.I./DIN Flange								
<b>Max. operating pressure psi (bar):</b>	120 (8.3)								
<b>Suspended solids max. dia. in. (mm):</b>	1/4" (6.4)								
<b>Maximum dry suction lift ft (m):</b>	14 (4.2)								
<b>Weight lbs (kg):</b>									
	<b>Air Motor</b>	<b>Connection</b>	<b>Wetted</b>	<b>Pump Wgt</b>	<b>Air Motor</b>	<b>Connection</b>	<b>Wetted</b>	<b>Pump Wgt</b>	
<b>PD20A</b>	AL	Thread	AL	91.4 (41.5)	<b>PD20S</b>	SS	Thread	AL	120.3 (54.6)
	AL	Thread	CI	147.4 (66.9)		SS	Thread	CI	176.3 (80)
	AL	Thread	H	155 (70.3)		SS	Thread	H	183.9 (83.4)
	AL	Thread	SS	149.8 (68)		SS	Thread	SS	178.7 (81.1)
	AL	Flange	H	162.2 (73.6)		SS	Flange	H	191.1 (86.7)
	AL	Flange	SS	162.2 (73.6)		SS	Flange	SS	191.1 (86.7)
<b>PD20R</b>	Poly	Thread	CI	165 (74.8)	AL-Aluminum, CI-Cast Iron, H-Hastelloy, SS-Stainless Steel				
	Poly	Thread	H	154 (69.9)					
	Poly	Thread	SS	154 (69.9)					
	Poly	Flange	H	146 (66.2)					
	Poly	Flange	SS	146 (66.2)					



### Sound Level:

PSI	Cycles / Min	db(A)
70	50	85.0

## Ordering Menu

<b>PX20</b>	<b>X</b>	-	<b>X</b>	<b>X</b>	<b>X</b>	-	<b>X</b>	<b>X</b>	<b>X</b>	-	<b>B</b>
<b>Model Series</b>	<b>Center Section</b>		<b>Connection</b>		<b>Hardware</b>		<b>Seat Material</b>		<b>Diaphragm Material</b>		<b>Ball Material</b>
<b>PD20</b> Standard Pump	<b>A</b> Aluminum	<b>A</b> N.P.T.F. Thread	<b>P</b> Plated Steel	<b>A</b> Santoprene	<b>A</b> Santoprene	<b>A</b> Santoprene					
<b>PE20</b> Electronic Interface Accessible Pump	<b>R</b> Polypropylene w/SS Air Caps	<b>B</b> BSP Thread	<b>S</b> Stainless Steel	<b>C</b> Hytrel	<b>C</b> Hytrel	<b>C</b> Hytrel					
	<b>S</b> Stainless Steel	<b>F*</b> 2" A.N.S.I./DIN Flange (Center)		<b>E</b> Carbon Steel	<b>G</b> Nitrile	<b>G</b> Nitrile					
	<b>Y</b> Polypropylene w/CI Air Caps	<b>Wetted Parts</b>		<b>F</b> Aluminum	<b>M</b> Medical Grade Santoprene	<b>M</b> Medical Grade Santoprene					
		<b>A</b> Aluminum <sup>1</sup>		<b>G</b> Nitrile	<b>T</b> PTFE/Santoprene	<b>T</b> PTFE/Santoprene					
		<b>C</b> Cast Iron		<b>H</b> 440 Stainless Steel (Hard)	<b>V</b> Viton	<b>V</b> Viton					
		<b>H</b> Hastelloy		<b>K</b> PVDF							
		<b>S</b> Stainless Steel		<b>L</b> Hastelloy-C							
		<sup>1</sup> Stainless Steel pumps only Not available on PD20R-X		<b>S</b> 316 Stainless Steel							

## Accessories\*

### Air Line Connection Kit | Kit No. 66109

Kit includes Piggyback Filter/Regulator with gauge, pipe nipple and a 5-foot section of air hose.

### Diaphragm Failure Detection (DFD) | Kit No. 67237

Costly production downtime due to pump diaphragm failure and resulting (possibly hazardous) material leakage is a very real problem in many process operations. ARO Diaphragm Failure Detection is one simple, cost-effective way to get your pumps wired for preventive maintenance. (PE20X pump model is required)

### Cycle Counter Kit | Kit No. 67350-1

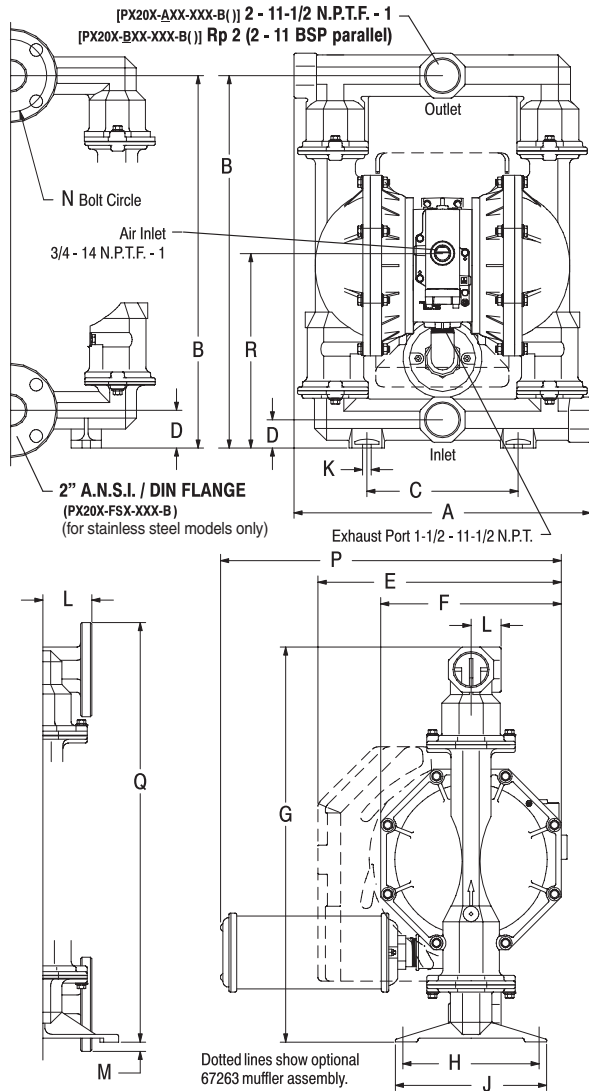
Like the odometer on your car, ARO's cycle sensing / cycle counter lets you know how many pump cycles have elapsed so you can be prepared to perform preventive maintenance. The cycle sensor is a cost-efficient way to save maintenance costs while keeping your pump on-line. (PE20X pump model is required)

- Service Repair Kits |** Kit No. 637369 (air motor for PX20R and PX20Y)  
 Kit No. 637421 (air motor for PX20A and PX20S)  
 Kit No. 637309-XX (fluid section)  
 Kit No. 637374-X (major air valve assembly)

\*Please note pumps are not included with these kits.



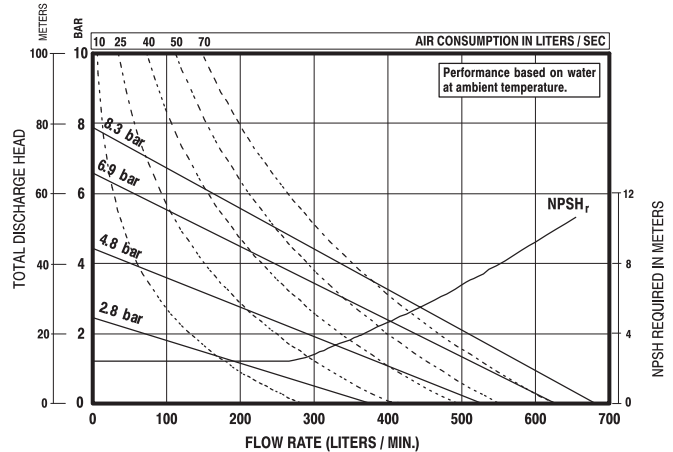
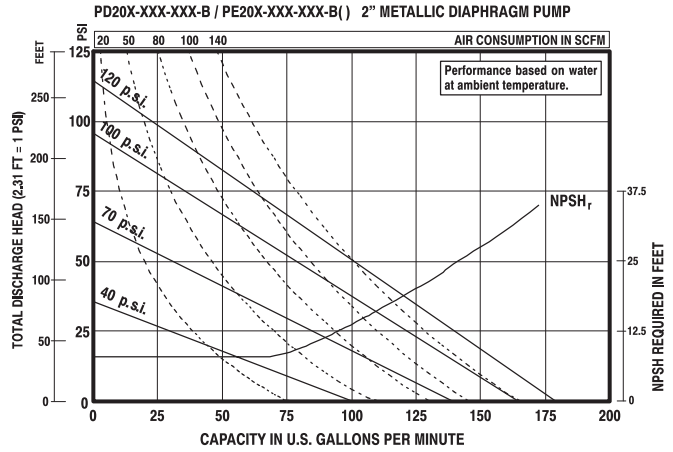
# 2" Metallic Dimensions and Flow Curves OEM / Transfer Pumps



### DIMENSIONS

A	see below	G	26-1/4" (666.8 mm)	M	5/8" (15.9 mm)
B	24-3/4" (628.7 mm)	H	9-1/16" (230.2 mm)	N	4.834" (122.8 mm)
C	10-1/16" (255.6 mm)	J	10-1/16" (255.6 mm)	P	21-5/8" (548 mm)
D	see below	K	9/16" (14.3 mm)	Q	27-7/8" (708.0 mm)
E	16-3/16" (411.2 mm)	L	see below	R	see below
F	12" (304.8 mm)				

	"A"	"D"	"L"	"R"
PX20X-XAX-XXX-B ( )	19-3/4" (501.4 mm)	1-7/8" (47.6 mm)	2" (50.8 mm)	12-15/16" (328.6 mm)
PX20X-XCX-XXX-B ( )	19-3/4" (501.4 mm)	1-7/8" (47.6 mm)	2" (50.8 mm)	12-15/16" (328.6 mm)
PX20X-AHX-XXX-B ( ), -BHX	19-1/4" (488.7 mm)	2-1/2" (63.5 mm)	2-3/32" (53.0 mm)	13-9/16" (344.5 mm)
PX20X-ASX-XXX-B ( ), -BSX	19-1/4" (488.7 mm)	2-1/2" (63.5 mm)	2-3/32" (53.0 mm)	13-9/16" (344.5 mm)
PX20X-FHX-XXX-B ( ), -FSX	19-1/4" (488.7 mm)	2-1/2" (63.5 mm)	3-1/4" (82.6 mm)	13-9/16" (344.5 mm)



Refer to fluids.ingersollrand.com for full size flow curves.

For additional information contact technical support at (800)495-0276

### Accessories\*

#### Continuous-Duty Muffler | No. 67263

Helps reduce possibility of pump freeze-over caused by moisture in air supply. Recommended for continuous-duty and high-flow applications. Muffler features large expansion chamber, permitting cold exhaust air to exit pump.

67263 Continuous-Duty Muffler would be used to replace 67213 Muffler that comes standard with pump.

\*Please note pumps are not included with these kits.



67263 Continuous Duty Muffler

METALLIC