

2" Non-Metallic Models OEM / Transfer Pumps

2" Non-Metallic Performance Specifications

Ratio:	1:1		
Maximum GPM (LPM):	184 (696)		
Displacement per cycle Gallons (Liters):	1.4 (5.3)		
Air Inlet (Female):	3/4" - 14 N.P.T.		
Fluid Inlet:	2" A.N.S.I./DIN flange (side)		
Fluid Outlet:	2" A.N.S.I./DIN flange (side)		
Max. operating pressure psi (bar):	120 (8.3)		
Suspended solids max. dia. in. (mm):	1/4" (6.4)		
Weight lbs (kg):	Polypropylene	85.3 (38.7)	
	PVDF	110.9 (50.3)	
Maximum dry suction lift ft (m):	14 (4.2)		
Sound Level:	PSI	Cycles / Min	db(A)
	70	60	85.0



Ordering Menu

PX20	X	-	F	X	S	-	X	X	X
Model Series	Center Section		Connection		Hardware		Seat Material		Diaphragm Material
PD20 Standard Pump PE20 Electronic Interface Accessible Pump	E Conductive Polypropylene P Polypropylene		F 2" ANSI/DIN Flange (Side)	S	S Stainless Steel		K PVDF P Polypropylene		A Santoprene G Nitrile M Medical Grade Santoprene T PTFE/Santoprene V Viton
			Wetted Parts						Ball Material
			E Conductive Polypropylene K PVDF P Polypropylene						A Santoprene G Nitrile T PTFE V Viton

Accessories*

Air Line Connection Kit | Kit No. 66109

Kit includes Piggyback Filter/Regulator with gauge, pipe nipple and a 5-foot section of air hose.

Diaphragm Failure Detection (DFD) | Kit No. 67237

Costly production downtime due to pump diaphragm failure and resulting (possibly hazardous) material leakage is a very real problem in many process operations. ARO Diaphragm Failure Detection is one simple, cost-effective way to get your pumps wired for preventive maintenance. (PE20X pump model is required)

Cycle Counter Kit | Kit No. 67350-1

Like the odometer on your car, ARO's cycle sensing / cycle counter lets you know how many pump cycles have elapsed so you can be prepared to perform preventive maintenance. The cycle sensor is a cost-efficient way to save maintenance costs while keeping your pump on-line. (PE20X pump model is required)

Service Repair Kits | Kit No. 637369 (air motor for PX20P)
Kit No. 637373-XX (fluid section)
Kit No. 637374-X (major air valve assembly)

Continuous-Duty Muffler | Kit No. 67323

Helps reduce possibility of pump freeze-over caused by moisture in air supply. Recommended for continuous-duty and high-flow applications. Muffler features large expansion chamber, permitting cold exhaust air to exit pump.

Flange Connection Kit | Kit No. 67341-E20N

Use with non-metallic EXP pumps with the flange manifold option. Flange kits meet A.N.S.I. / DIN specifications. Flange constructed of glass-filled polypropylene. Bolts, washers and nuts are stainless steel.

*Please note pumps are not included with these kits.



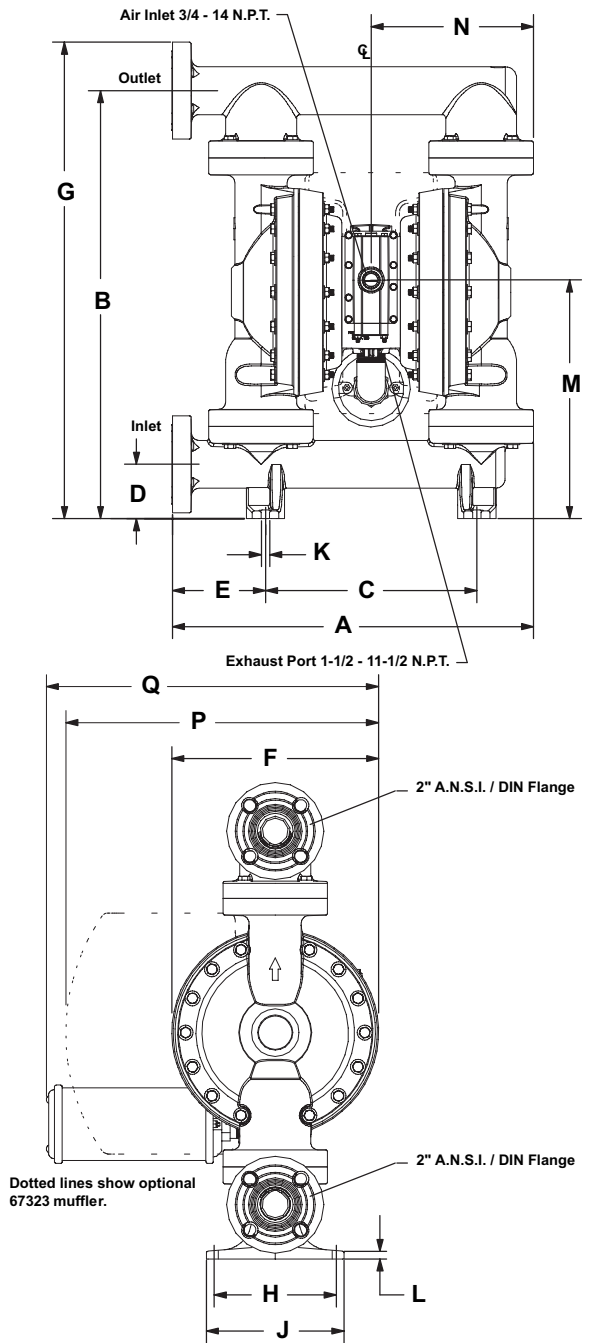
67323 Continuous Duty Muffler



67341-E20N Flange Connection Kit

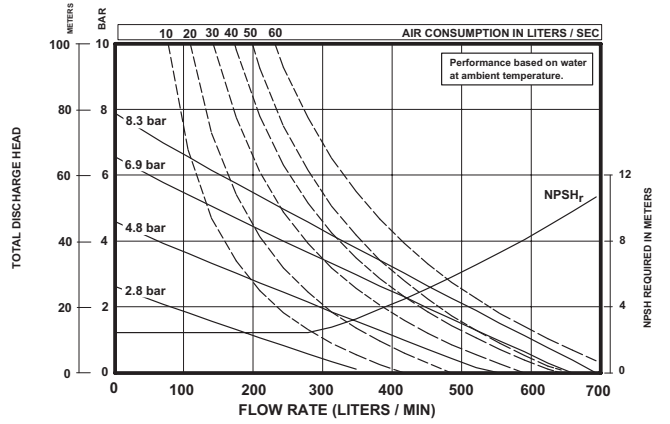
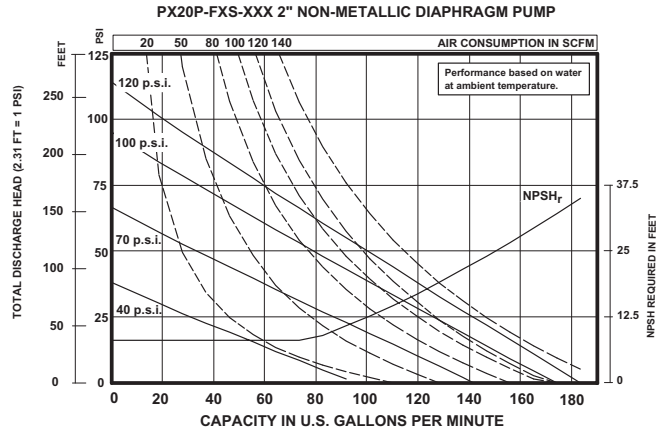
2" Non-Metallic Dimensions and Flow Curves OEM / Transfer Pumps

NON-METALLIC



DIMENSIONS

- | | | |
|-------------------------|-------------------------|-------------------------|
| A - 24-3/16" (614.3mm) | F - 13-7/8" (352.0mm) | L - 1/2" (12.7mm) |
| B - 28-21/32" (728.0mm) | G - 31-29/32" (810.5mm) | M - 16" (405.9mm) |
| C - 14-5/32" (360.0mm) | H - 8-3/16" (207.8mm) | N - 10-7/8" (276.2mm) |
| D - 3-5/8" (92.2mm) | J - 9-7/32" (234.2mm) | P - 20-31/32" (532.2mm) |
| E - 6-1/4" (158.3mm) | K - 9/16" (14.3mm) | Q - 22-9/32" (565.5mm) |



Refer to fluids.ingersollrand.com for full size flow curves.

For additional information contact technical support at (800)495-0276