

1-1/2" Non-Metallic Models OEM / Transfer Pumps

1-1/2" Non-Metallic Performance Specifications

Ratio:	1:1	
Maximum GPM (LPM):	123 (465)	
Displacement per cycle Gallons (Liters):	0.617 (2.34)	
Air Inlet (Female):	1/2 - 14 N.P.T.	
Fluid Inlet:	1-1/2" A.N.S.I./DIN flange (side or center)	
Fluid Outlet:	1-1/2" A.N.S.I./DIN flange (side or center)	
Max. operating pressure psi (bar):	120 (8.3)	
Suspended solids max. dia. in. (mm):	1/4" (6.4)	
Weight lbs (kg):	Polypropylene, Side Ported	42.6 (19.3)
	PVDF, Side Ported	63.9 (29)
	Polypropylene, Center Ported	42.3 (19.2)
	PVDF, Center Ported	55.9 (25.3)
Maximum dry suction lift ft (m) :	14 (4.2)	
Sound Level:	PSI	Cycles / Min
	70	60
		db(A)
		81.0



Ordering Menu

PX15	X	-	X	X	X	-	X	X	X
Model Series	Center Section		Connection		Hardware		Seat Material		Diaphragm Material
PD15 Standard Pump	E Conductive Polypropylene		F 1-1/2" A.N.S.I./DIN Flange (Side)	S	Stainless Steel		H 440 Stainless Steel (Hard)		A Santoprene
PE15 Electronic Interface Accessible Pump	P Polypropylene		Y 1-1/2" A.N.S.I./DIN Flange (Center)				K PVDF		C Hytrel
			Wetted Parts				P Polypropylene		G Nitrile
			E Conductive Polypropylene				S 316 Stainless Steel		M Medical Grade Santoprene
			K PVDF						T PTFE/Santoprene
			P Polypropylene						V Viton
									Ball Material
									A Santoprene®
									C Hytrel®
									G Nitrile
									S 316 Stainless Steel
									T PTFE
									V Viton®

Accessories*

Air Line Connection Kit | Kit No. 66084-1

Kit includes Piggyback Filter/Regulator with gauge, pipe nipple and a 5-foot section of air hose.

Diaphragm Failure Detection (DFD) | Kit No. 67237

Costly production downtime due to pump diaphragm failure and resulting (possibly hazardous) material leakage is a very real problem in many process operations. ARO Diaphragm Failure Detection is one simple, cost-effective way to get your pumps wired for preventive maintenance. (PE15X pump model is required)

Cycle Counter Kit | Kit No. 67350

Like the odometer on your car, ARO's cycle sensing / cycle counter lets you know how many pump cycles have elapsed so you can be prepared to perform preventive maintenance. The cycle sensor is a cost-efficient way to save maintenance costs while keeping your pump on-line. (PE15X pump model is required)

Service Repair Kits | *Kit No. 637389 (air motor for PX15P)*
Kit No. 637391-XX (fluid section)
Kit No. 637390-X (major air valve assembly)

Flange Connection Kit | *Kit No. 67341-E15N (side flange)*
Kit No. 67341-C15N (center flange)

Use with non-metallic EXP pumps with the flange manifold option. Flange kits meet A.N.S.I. / DIN specifications. Flange constructed of glass-filled polypropylene. Bolts, washers and nuts are stainless steel.

*Please note pumps are not included with these kits.

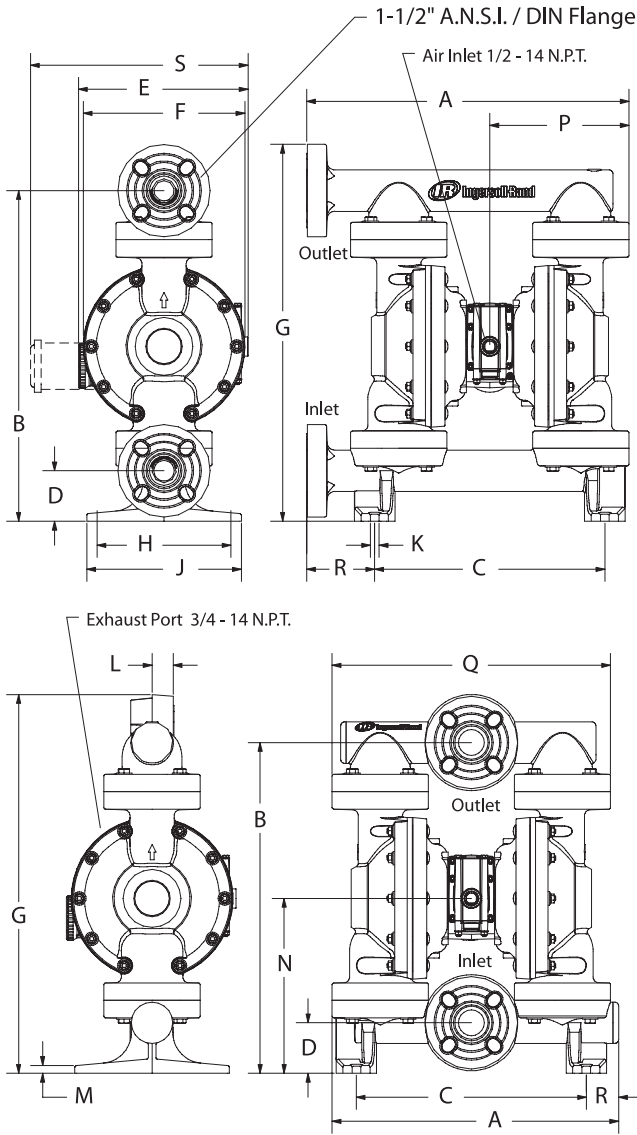


Air Line Connection Kit 66084-1



Flange Connection Kit

1-1/2" Non-Metallic Dimensions and Flow Curves OEM / Transfer Pumps

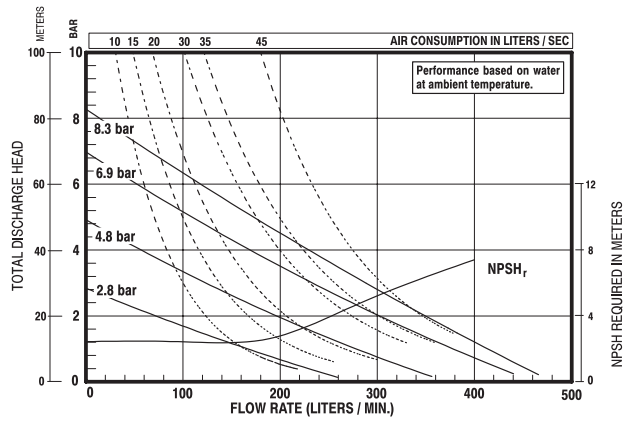
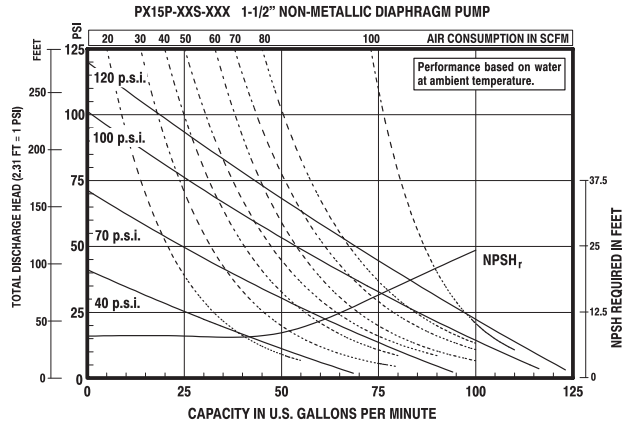


DIMENSIONS

- | | | |
|--------------------------|-------------------------|------------------------|
| A - see below | G - see below | N - 11-3/8" (288.4 mm) |
| B - 21-15/32" (545.3 mm) | H - 8-11/16" (220.7 mm) | P - 9-1/32" (229.5 mm) |
| C - 14-15/16" (379.4 mm) | J - 10-1/32" (254.8 mm) | Q - see below |
| D - 3-9/32" (83.3 mm) | K - 9/16" (14.3 mm) | R - see below |
| E - see below | L - see below | S - see below |
| F - 10-1/2" (266.3 mm) | M - 17/32" (13.0 mm) | |

- | | |
|-------------------------------|----------------------------------|
| PX15P-FXS-XXX
(End Flange) | PX15P-YXS-XXX
(Center Flange) |
| A - 20-15/16" (531.6 mm) | 18-19/32" (472.3 mm) |
| G - 24-15/32" (621.5 mm) | 24-19/32" (624.5 mm) |
| L - ----- | 1-3/8" (34.9 mm) |
| Q - ----- | 18-3/32" (459.0 mm) |
| R - 4-7/16" (112.4 mm) | 2-3/32" (53.1 mm) |

- | | | |
|---------------|----------------|------------------------|
| PX15E-XXX-XXX | "E" ----- | "S" 14-1/8" (358.5 mm) |
| PX15P-XXX-XXX | 11" (279.5 mm) | ----- |



Refer to fluids.ingersollrand.com for full size flow curves.

For additional information contact technical support at (800)495-0276