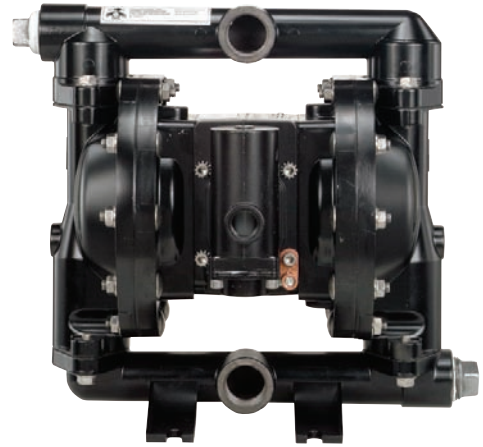


# 1" Metallic Models

## OEM / Transfer Pumps

### 1" Metallic Performance Specifications

<b>Ratio:</b>	1:1	
<b>Maximum GPM (LPM):</b>	52 (197)	
<b>Displacement per cycle</b> Gallons (Liters):	0.232 (.88)	
<b>Air Inlet (Female):</b>	1/4 - 18 N.P.T.	
<b>Fluid Inlet:</b>	1 - 11-1/2 N.P.T.F-1, Rp1(1-11 BSP)	
<b>Fluid Outlet:</b>	1 - 11-1/2 N.P.T.F., Rp1(1-11 BSP)	
<b>Max. operating pressure</b> psi (bar):	120 (8.3)	
<b>Suspended solids max. dia.</b> in. (mm):	1/8" (3.3)	
<b>Weight</b> lbs (kg):	PX10R-XAX-XXX	20.7 (9.4)
	PX10R-XCX-XXX	35.2 (16.0)
	PX10R-XHX-XXX	39.6 (18.0)
	PX10R-XSX-XXX	38.2 (17.3)
	<b>Note:</b> Add 4.65 lbs (2.11 kg) for aluminum air motor Add 11.09 lbs (5.03 kg) for stainless steel air motor	
<b>Maximum dry suction lift</b> ft(m):	19 (5.7)	
<b>Sound Level:</b>	PSI	Cycles / Min
	70	60
		db(A)
		79.7



### Ordering Menu

<b>PX10</b>	<b>X</b>	-	<b>X</b>	<b>X</b>	<b>X</b>	-	<b>X</b>	<b>X</b>	<b>X</b>
<b>Model Series</b>	<b>Center Section</b>		<b>Connection</b>		<b>Hardware</b>		<b>Seat Material</b>		<b>Diaphragm Material</b>
PD10 Standard Pump	A Aluminum		A NPTF Thread	P Plated Steel		A Santoprene		A Santoprene	
PE10 Electronic Interface Accessible Pump	R Polypropylene		B BSP Thread	S Stainless Steel		C Hytrel		C Hytrel	
	S Stainless Steel					E Carbon Steel		G Nitrile	
			<b>Wetted Parts</b>			F Aluminum		M Medical grade Santoprene	
			A Aluminum			G Nitrile		T PTFE/Santoprene	
			C Cast Iron			H 440 Stainless Steel (Hard)		V Viton	
			H Hastelloy-C			L Hastelloy-C			
			S Stainless Steel			S 316 Stainless Steel		<b>Ball Material</b>	
								A Santoprene	
								C Hytrel	
								G Nitrile	
								S 316 Stainless Steel	
								T PTFE	
								V Viton	

### Accessories\*

#### Air Line Connection Kit | Kit No. 66073-2

Kit includes Piggyback Filter/Regulator with gauge, pipe nipple and a 5-foot section of air hose.

#### Diaphragm Failure Detection (DFD) | Kit No. 67237

Costly production downtime due to pump diaphragm failure and resulting (possibly hazardous) material leakage is a very real problem in many process operations. ARO Diaphragm Failure Detection is one simple, cost-effective way to get your pumps wired for preventive maintenance. (PE10X pump model is required)

#### Cycle Counter Kit | Kit No. 67350

Like the odometer on your car, ARO's cycle sensing / cycle counter lets you know how many pump cycles have elapsed so you can be prepared to perform preventive maintenance. The cycle sensor is a cost-efficient way to save maintenance costs while keeping your pump on-line. (PE10X pump model is required)

#### Service Repair Kits | Kit No. 637397 (air motor for PX10A, PX10R and PX10S)

Kit No. 637401-XX (fluid section)

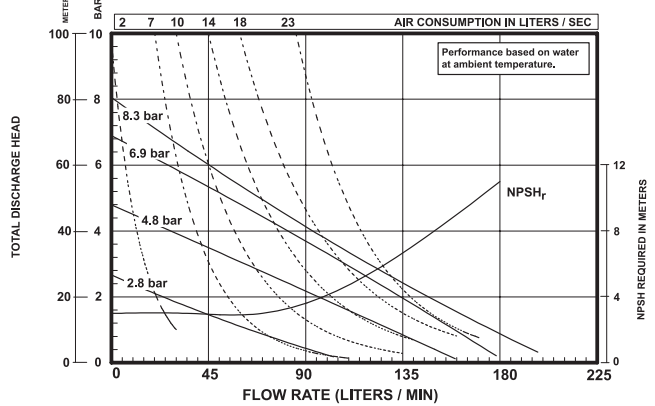
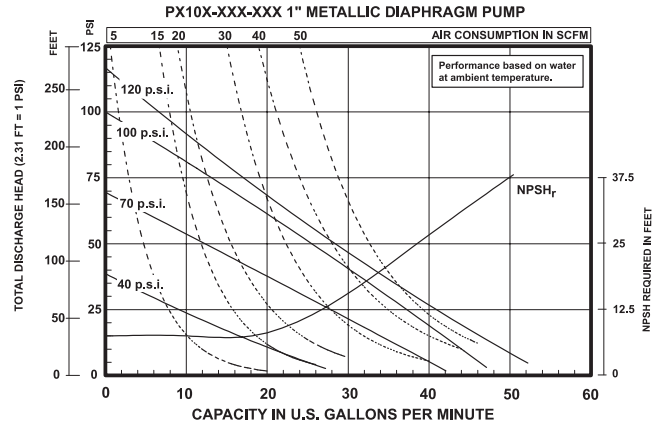
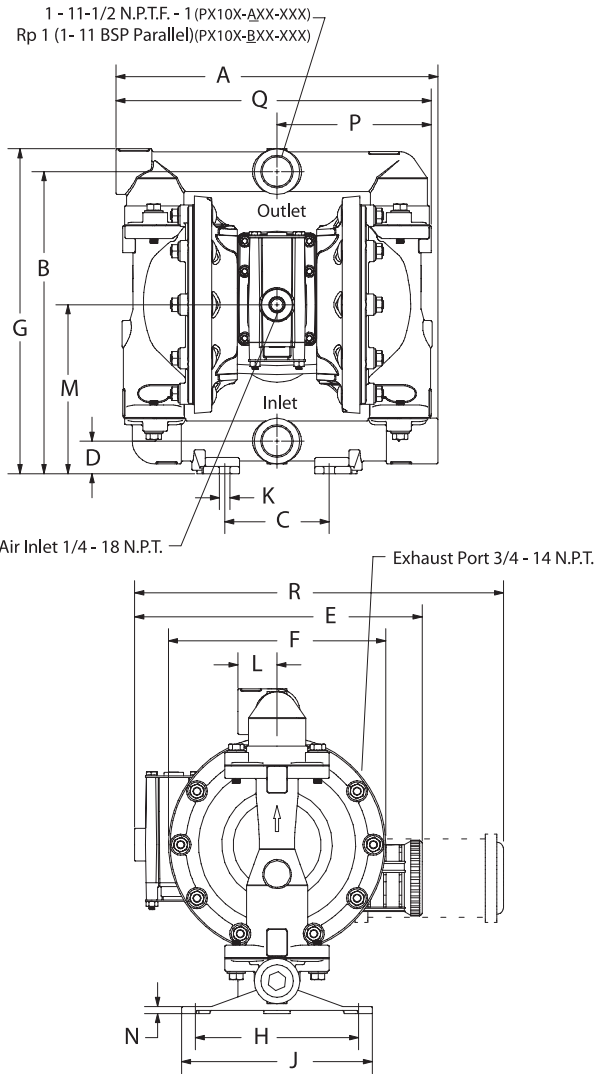
Kit No. 637395-X (major air valve assembly)

\*Please note pumps are not included with these kits.



Air Line Connection Kit 66073-2

# 1" Metallic Dimensions and Flow Curves OEM / Transfer Pumps



Refer to [fluids.ingersollrand.com](http://fluids.ingersollrand.com) for full size flow curves.

For additional information contact technical support at (800)495-0276

## DIMENSIONS

A - 12-11/32" (313.2 mm)	G - 12-7/16" (315.9 mm)	N - see below
B - 11-9/16" (293.7 mm)	H - 6-1/4" (158.8 mm)	P - 5-27/32" (148.2 mm)
C - 4" (101.6 mm)	J - 7-5/16" (185.7 mm)	Q - 12" (304.8 mm)
D - 1-1/4" (31.8 mm)	K - 13/32" (10.3 mm)	R - see below
E - see below	L - 1-1/2" (38.1 mm)	
F - see below	M - 6-15/32" (164.3 mm)	

PX10 <sub>A</sub> -XXX-XXX	"E" -----	"F" 8-1/8" (206.4 mm)	"R" 14-1/32" (356.2 mm)
PX10 <sub>B</sub> -XXX-XXX	11-1/32" (279.5 mm)	8-5/16" (211.1 mm)	-----
PX10 <sub>S</sub> -XXX-XXX	-----	8-3/16" (207.9 mm)	13-27/32" (351.4 mm)

	"N"
PX10X-XAX-XXX	1/4" (6.4 mm)
PX10X-XCX-XXX	9/32" (7.1 mm)
PX10X-XHX-XXX	9/32" (7.1 mm)
PX10X-XSX-XXX	9/32" (7.1 mm)