

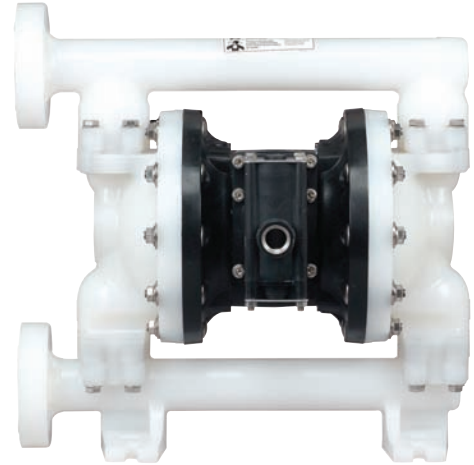
1" Non-Metallic Models OEM / Transfer Pumps

1" Non-Metallic Performance Specifications

Ratio:	1:1
Maximum GPM (LPM):	53 (200)
Displacement per cycle Gallons (Liters):	0.226 (.86)
Air Inlet (Female):	1/4 - 18 N.P.T.
Fluid Inlet:	1 - 11-1/2 N.P.T.F., Rp1(1-11 BSP) 1" A.N.S.I./DIN flange (side or center)
Fluid Outlet:	1 - 11-1/2 N.P.T.F., Rp1(1-11 BSP) 1" A.N.S.I./DIN flange (side or center)
Max. operating pressure psi (bar):	120 (8.3)
Suspended solids max. dia. in.(mm):	1/8" (3.2)
Weight lbs (kg):	Polypropylene, Threaded Port 19.35 (8.78) Polypropylene, Center Ported 19.59 (8.89) Polypropylene, Side Ported 19.87 (9.01) PVDF, Threaded Port 25.83 (11.72) PVDF, Center Ported 26.72 (12.12) PVDF, Side Ported 27.15 (12.32)
Maximum dry suction lift ft(m) :	19 (5.7)

Sound Level:

PSI	Cycles / Min	db(A)
70	60	79.7



Ordering Menu

PX10	X	-	X	X	S	-	X	X	X
Model Series	Center Section		Connection		Hardware		Seat Material		Diaphragm Material
PD10 Standard Pump	E Conductive	A NPTF Thread	S	Stainless Steel	H 440 Stainless Steel (Hard)	A Santoprene			
PE10 Electronic Interface Accessible Pump	P Polypropylene	B BSP Thread	F 1" A.N.S.I./DIN Flange (Side)	K PVDF	P Polypropylene	C Hytrel			
		Y 1" A.N.S.I./DIN Flange (Center)	P Polypropylene	S 316 Stainless Steel	S 316 Stainless Steel	G Nitrile			
		Wetted Parts				M Medical grade Santoprene			
		E Conductive				T PTFE/Santoprene			
		K PVDF				V Viton			
		P Polypropylene				Ball Material			
						A Santoprene			
						C Hytrel			
						G Nitrile			
						T PTFE			
						V Viton			

Accessories

Air Line Connection Kit* | Kit No. 66073-2

Kit includes Piggyback Filter/Regulator with gauge, pipe nipple and a 5-foot section of air hose.

Diaphragm Failure Detection (DFD)* | Kit No. 67237

Costly production downtime due to pump diaphragm failure and resulting (possibly hazardous) material leakage is a very real problem in many process operations. ARO Diaphragm Failure Detection is one simple, cost-effective way to get your pumps wired for preventive maintenance. (PE10X pump model is required)

Cycle Counter Kit* | Kit No. 67350

Like the odometer on your car, ARO's cycle sensing / cycle counter lets you know how many pump cycles have elapsed so you can be prepared to perform preventive maintenance. The cycle sensor is a cost-efficient way to save maintenance costs while keeping your pump on-line. (PE10X pump model is required)

Service Repair Kits | Kit No. 637397 (air motor for PX10P)

Kit No. 637396-XX (fluid section)

Kit No. 637395-X (major air valve assembly)

Flange Connection Kit | Kit No. 67341-E10N (side flange)

Kit No. 67341-C10N (center flange)

Use with non-metallic EXP pumps with the flange manifold option. Flange kits meet DIN / A.N.S.I. specifications. Flange constructed of glass-filled polypropylene. Bolts, washers and nuts are stainless steel.

*Please note pumps are not included with these kits.

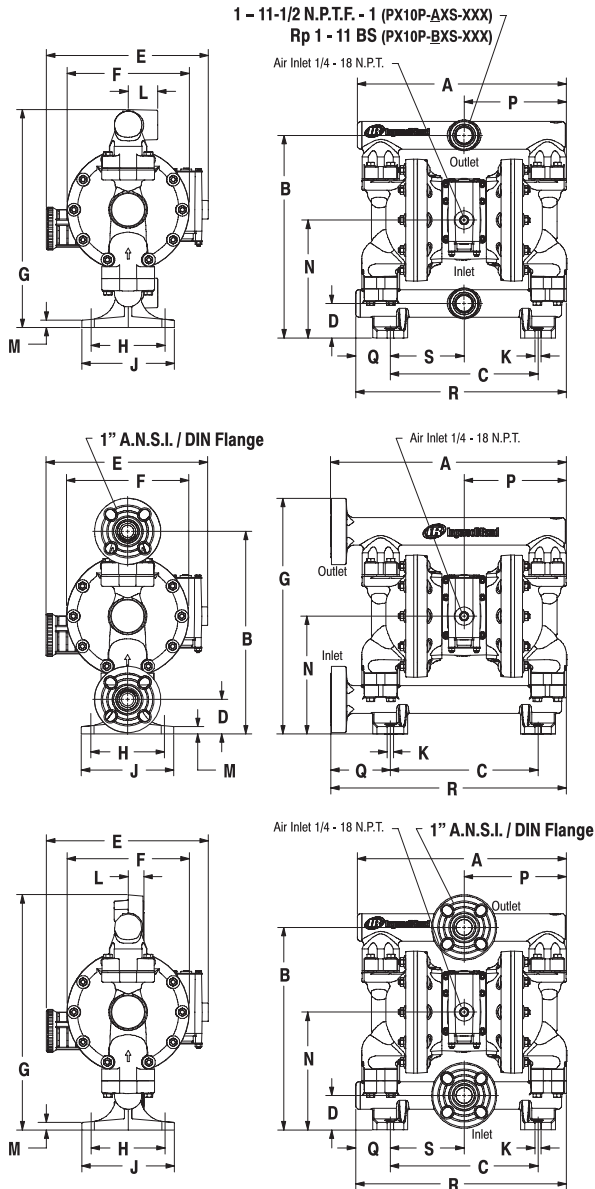


Air Line Connection Kit 66073-2



Flange Connection Kit

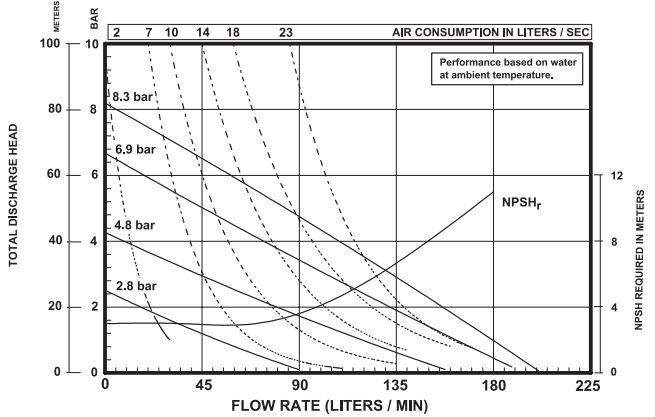
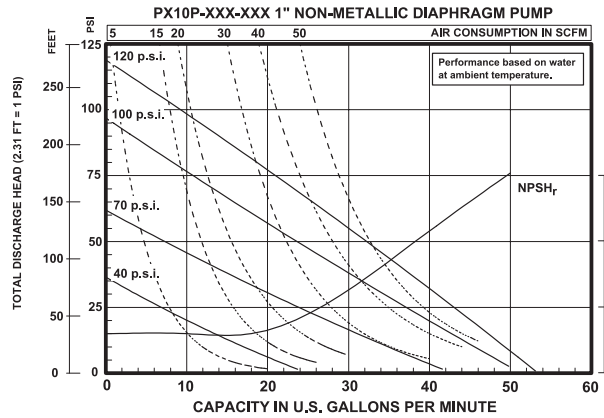
1" Non-Metallic Dimensions and Flow Curves OEM / Transfer Pumps



DIMENSIONS

A - see below	G - see below	N - 8-1/32" (203.4 mm)
B - 13-25/32" (349.8 mm)	H - 5-1/32" (127.6 mm)	P - 6-31/32" (176.6 mm)
C - 10-1/16" (255.3 mm)	J - 6-9/32" (159.6 mm)	Q - see below
D - 2-11/32" (59.4 mm)	K - 7/16" (11.1 mm)	R - see below
E - 11-1/32" (279.5 mm)	L - see below	S - 5-1/32" (127.6 mm)
F - 8-5/16" (211.1 mm)	M - 1/2" (12.7 mm)	

PX10P-AXS-, -BXS- (Threaded)	PX10P-FXS-XXX (End Flange)	PX10P-YXS-XXX (Center Flange)
A - 14-7/32" (361.2 mm)	16-1/32" (407.3 mm)	14-7/32" (361.2 mm)
G - 14-27/32" (376.5 mm)	16-1/32" (407.3 mm)	16" (406.3 mm)
L - 2" (50.8 mm)	-----	1-1/32" (25.6 mm)
Q - 2-3/8" (59.7 mm)	4-1/16" (103.0 mm)	2-3/8" (59.7 mm)
R - 14-11/32" (364.0 mm)	16-1/32" (407.3 mm)	14-11/32" (364.0 mm)



Refer to fluids.ingersollrand.com for full size flow curves.

For additional information contact technical support at (800)495-0276

NON-METALLIC