

3/4" Metallic Models OEM / Transfer Pumps

3/4" Metallic Performance Specifications

Ratio:	1:1
Maximum GPM (LPM):	13.6 (51.5)
Displacement per cycle Gallons (Liters):	0.030 (.11)
Air Inlet (Female):	1/4 -18 P.T.F. SAE SHORT
Fluid Inlet/Outlet:	3/4 - 14 N.P.T.F. -2 Rp 3/4(3/4 - 14 BSP)
Max. operating pressure psi (bar):	100 (6.9)
Suspended solids max. dia. in. (mm):	3/32" (2.4)
Weight lbs (kg):	8.74 (3.96)
Maximum dry suction lift ft (m):	15.0 (4.5)

Sound Level:	PSI	Cycles / Min	db(A)
	70	60	75.0



Ordering Menu

PD07	R	-	X	X	S	-	X	X	X
Model Series	Center Section Material		Fluid Connection	Fluid Caps/ Manifold Material	Hardware Material		Seat Material	Ball Material	Diaphragm Material
PD07 Standard	R Polypropylene		A 3/4" N.P.T. B 3/4" BSP	A Aluminum	S Stainless Steel		F Aluminum P Polypropylene S Stainless Steel	A Santoprene C Hytrel T Teflon/PTFE	A Santoprene C Hytrel T Teflon/PTFE

Accessories

Air Line Connection Kit* | Kit No. 66073-1

Kit includes Piggyback Filter/Regulator with gauge, pipe nipple and a 5-foot section of air hose.

Service Repair Kits | Kit No. 637428 (air section)
Kit No. 637427-XX (fluid section)

Muffler Kit | Kit No. 637428 (ported exhaust)

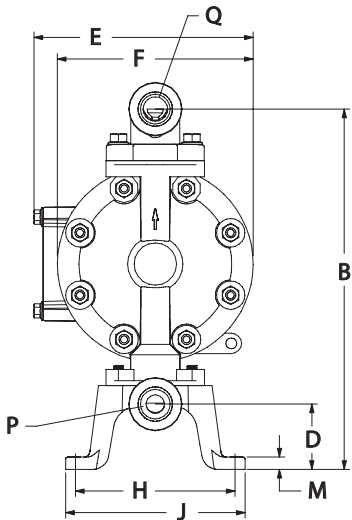
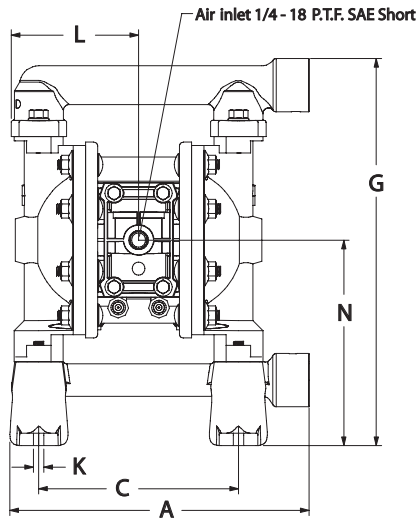
Wall Mount Kit | 76763

*Please note pumps are not included with these kits.



Air Line Connection
Kit 66073-1

3/4" Metallic Dimensions and Flow Curves OEM / Transfer Pumps

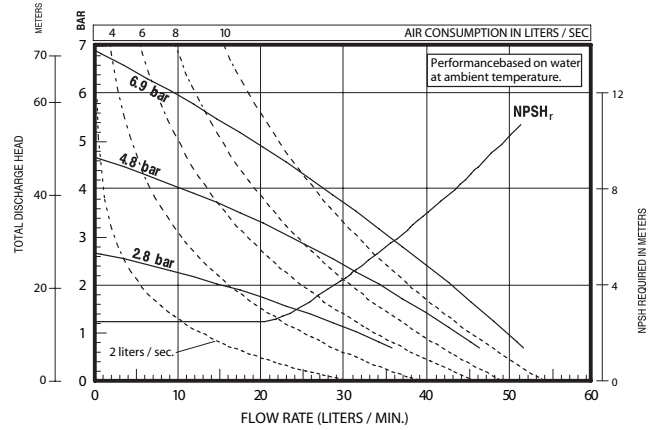
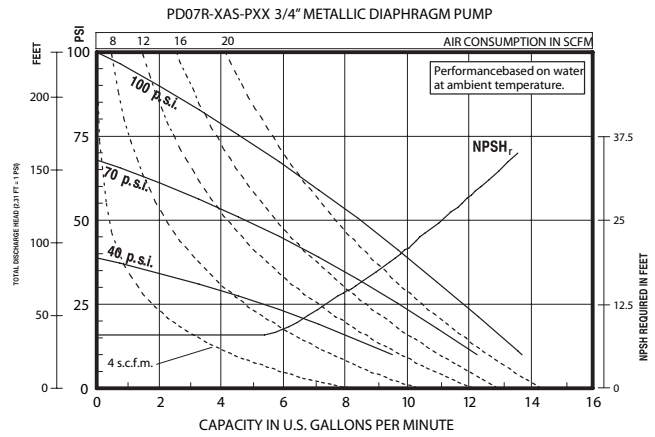


DIMENSIONS

A - 9-9/32"(235.3mm)	F - 6"(152.4 mm)	L - 3-29/32"(99.2mm)
B - 11-1/16"(280.4mm)	G - 11-7/8"(301.2 mm)	M - 3/8"(9.5mm)
C - 6-1/8"(155.6mm)	H - 4-29/32"(124.2 mm)	N - 6-5/16"(159.8mm)
D - 2"(50.8mm)	J - 5-1/2"(139.7mm)	
E - 6-23/32"(170.6mm)	K - 5/16"(8.0 mm)	

Model	"P" Material Inlet	"Q" Material Outlet
PD07R-AAS-PXX	3/4- 14N.P.T.F. - 2	3/4- 14N.P.T.F. - 2
PD07R-BAS-PXX	Rp 3/4(3/4- 14BSP)	Rp 3/4(3/4- 14BSP)

NOTE: Dimensions are shown in inches and (mm) and are supplied for reference only



Refer to fluids.ingersollrand.com for full size flow curves.

For additional information contact technical support at (800)495-0276

METALLIC