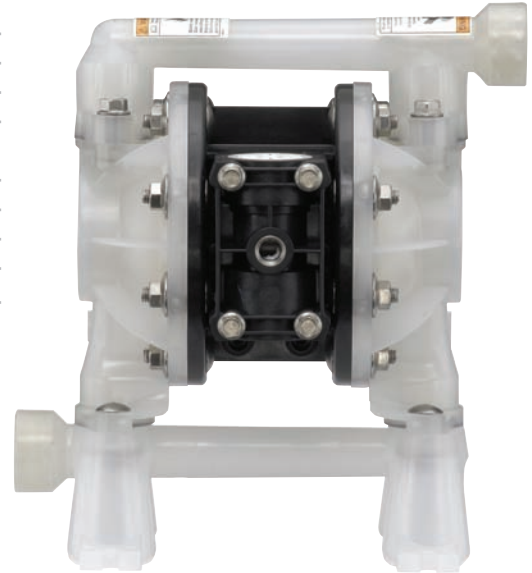


# 3/4" Non-Metallic Models OEM / Transfer Pumps

## 3/4" Non-Metallic Performance Specifications

<b>Ratio:</b>	1:1
<b>Maximum GPM (LPM):</b>	14.8 (56.0)
<b>Displacement per cycle</b> Gallons (Liters):	0.032 (.12)
<b>Air Inlet (Female):</b>	1/4 -18 P.T.F. SAE SHORT
<b>Fluid Inlet/Outlet:</b>	3/4 - N.P.T.F. - 1 Rp 3/4 (3/4 - 14 BSP)
<b>Max. operating pressure</b> psi (bar):	100 (6.9)
<b>Suspended solids max. dia.</b> in. (mm):	3/32" (2.4)
<b>Weight</b> lbs (kg):	5.61 (2.54)
<b>Maximum dry suction lift</b> ft (m):	15.0 (4.5)

<b>Sound Level:</b>	PSI	Cycles / Min	db(A)
	70	60	75.0



## Ordering Menu

PD07	P	-	X	P	S	-	X	X	X
<b>Model Series</b>	<b>Center Section Material</b>		<b>Fluid Connection</b>	<b>Fluid Caps/ Manifold Material</b>	<b>Hardware Material</b>		<b>Seat Material</b>	<b>Ball Material</b>	<b>Diaphragm Material</b>
PD07 Standard	P Polypropylene		A 3/4" NPT B 3/4" BSP	P Polypropylene	S Stainless Steel		P Polypropylene	A Santoprene T Teflon/PTFE	A Santoprene C Hytrel <sup>®</sup> T Teflon/PTFE

## Accessories

### Air Line Connection Kit | Kit No. 66073-1

Kit includes Piggyback Filter/Regulator with gauge, pipe nipple and a 5-foot section of air hose.

### Service Repair Kits | Kit No. 637428 (air motor for PX057)

Kit No. 637427-XX (fluid section)

### Muffler Kit | Kit No. 637438 (ported exhaust)

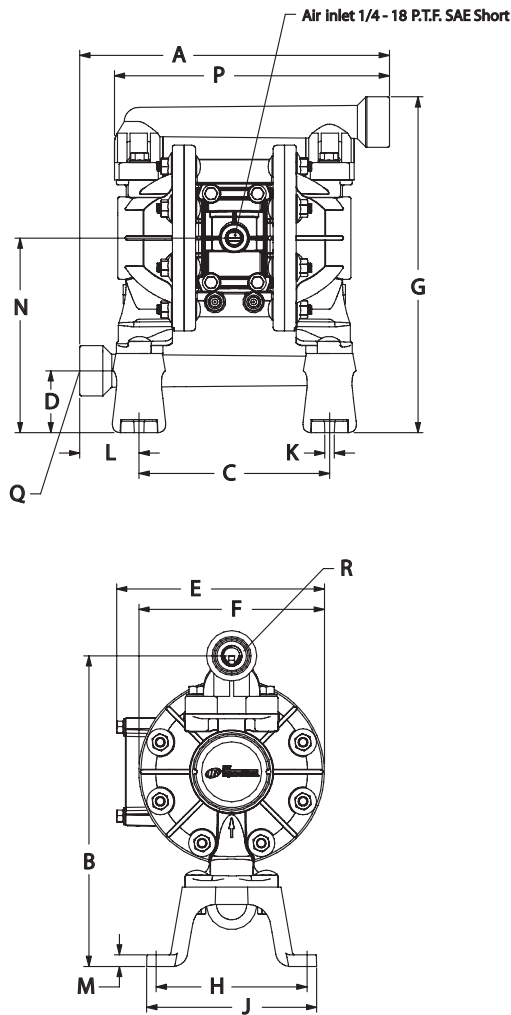
### Wall Mount Kit | 76763

\*Please note pumps are not included with these kits.



Air Line Connection  
Kit 66073-1

# 3/4" Non-Metallic Dimensions and Flow Curves OEM / Transfer Pumps

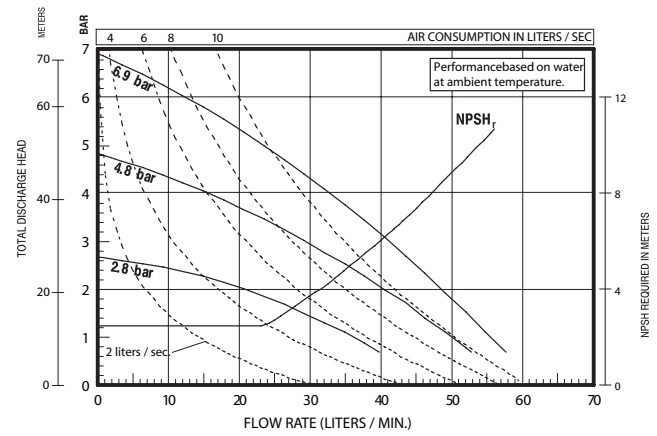
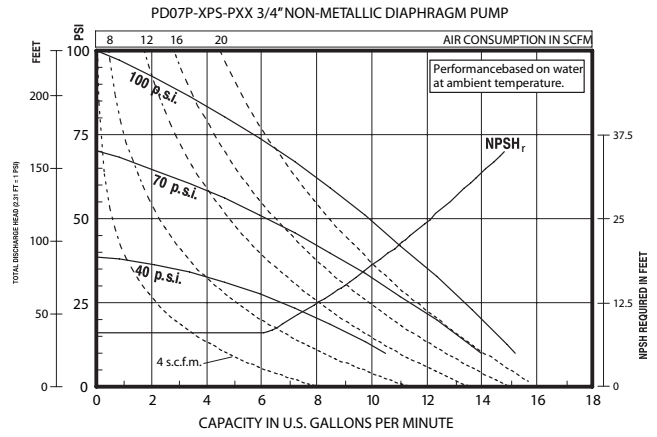


### DIMENSIONS

A - 10" (254.2 mm)	F - 6-1/32" (153.1mm)	L - 1-15/16" (48.9mm)
B - 10-3/32" (256.1mm)	G - 10-29/32" (276.8mm)	M - 3/8" (9.6mm)
C - 6-3/16" (157.1mm)	H - 4-29/32" (124.2 mm)	N - 6-5/16" (160.5mm)
D - 2" (51.0mm)	J - 5-17/32" (140.2mm)	P - 8-7/8" (225.3mm)
E - 6-3/4" (171.0mm)	K - 5/16" (8.0mm)	

Model	"Q" Material Inlet	"R" Material Outlet
PD07P-APS-PXX	3/4- 14 N.P.T.F. - 1	3/4- 14 N.P.T.F. - 1
PD07P-BPS-PXX	Rp 3/4(3/4- 14 BSP)	Rp 3/4(3/4- 14 BSP)

NOTE: Dimensions are shown in inches and (mm) and are supplied for reference only



Refer to [fluids.ingersollrand.com](http://fluids.ingersollrand.com) for full size flow curves.

For additional information contact  
technical support at (800)495-0276

NON-METALLIC