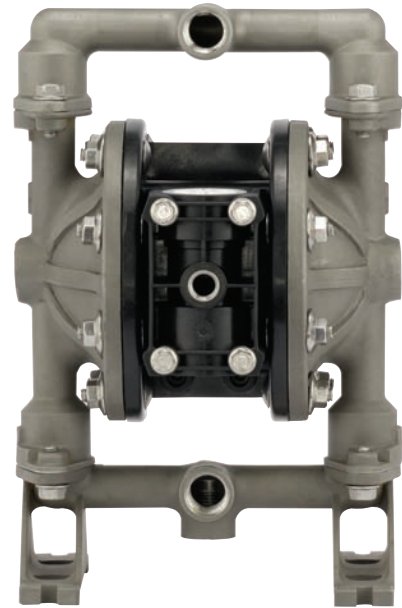


1/2" Metallic Models

OEM / Transfer Pumps

1/2" Metallic Performance Specifications

Ratio:	1:1		
Maximum GPM (LPM):	12 (45.4)		
Displacement per cycle Gallons (Liters):	0.039 (.15)		
Air Inlet (Female):	1/4 -18 P.T.F. SAE SHORT		
Fluid Inlet/Outlet:	1/2 - 14 N.P.T.F. -1 Rp 1/2(1/2 - 14 BSP, parallel)		
Max. operating pressure psi (bar):	100 (6.9)		
Suspended solids max. dia. in. (mm):	3/32" (2.4)		
Weight lbs (kg):	PD05A-XAS-XXX-B	10.36 (4.7)	
	PD05R-XAS-XXX-B	8.04 (3.65)	
	PD05R-XSS-XXX-B	14.25 (6.46)	
Maximum dry suction lift ft (m):	15.0 (4.5)		
Sound Level:	PSI	Cycles / Min	db(A)
	70	60	71.1



Ordering Menu

	PX05		X	-	X		X		S		-	X		X		X		-	BXX
	Model Series		Center Section Material		Fluid Connection		Fluid Caps/ Manifold Material		Hardware Material			Seat Material		Ball Material		Diaphragm Material			Specialty Code
PD05	Standard	A	Aluminum	A	1/2" N.P.T.	A	Aluminum ¹ (Side port outlet manifold)	S	Stainless Steel	F	Aluminum	A	Santoprene	A	Santoprene	B	Standard		
PE05	Remote Actuation Capable	R	Polypropylene	B	1/2" BSP	S	Stainless Steel (Center port outlet manifold)			P	Polypropylene	C	Hytrel ²	C	Hytrel ²	BOS	Remote Actuation Capable**		
										S	Stainless Steel	G	Nitrile	G	Nitrile				
										T	PTFE	S	Stainless Steel	T	PTFE/Santoprene				
										U	Polyurethane	T	PTFE	U	Polyurethane				
										V	Viton	U	Polyurethane	V	Viton				
												V	Viton						

¹ Components Anodized to Provide Superior Corrosion and Abrasion Resistance

² Hytrel replaces Buna, Geolast, Polyurethane and Nitrile producing superior chemical compatibility and diaphragm life

Accessories* (for specialty pump application options and additional accessories see pages 40-45)

Air Line Connection Kit* | Kit No. 66073-1

Kit includes Piggyback Filter/Regulator with gauge, pipe nipple and a 5-foot section of air hose.

Service Repair Kits | Kit No. 637428 (air motor for PX05) Kit No. 637427-XX (fluid section)

*Please note pumps are not included with these kits.

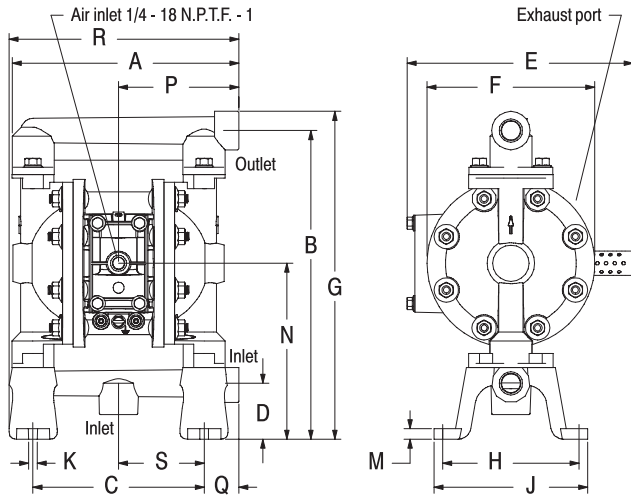
**See options on page 45.



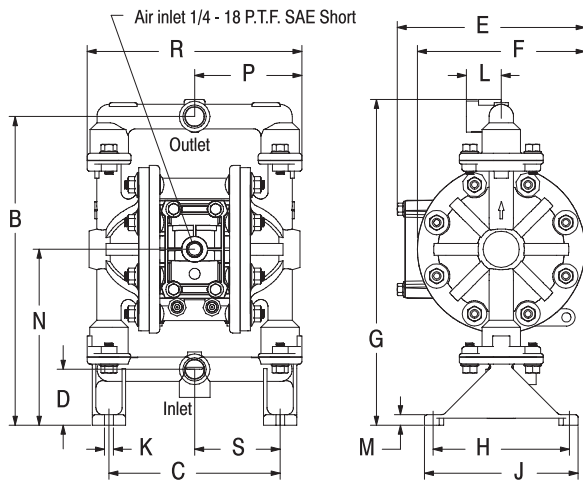
Air Line Connection Kit 66073-1

1/2" Metallic Dimensions and Flow Curves OEM / Transfer Pumps

PD05A-XAS-XXX-B



PD05R-XSS-XXX-B

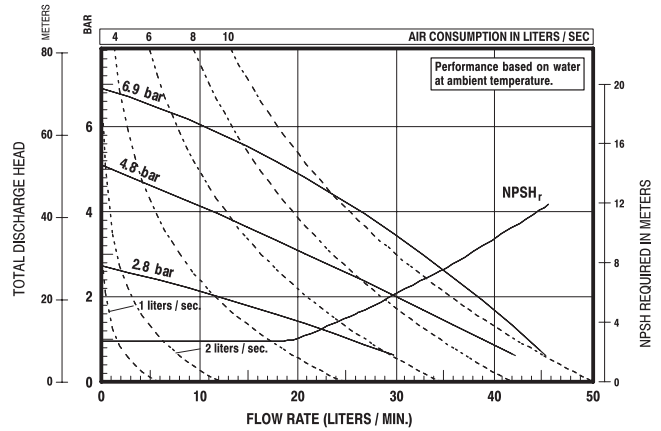
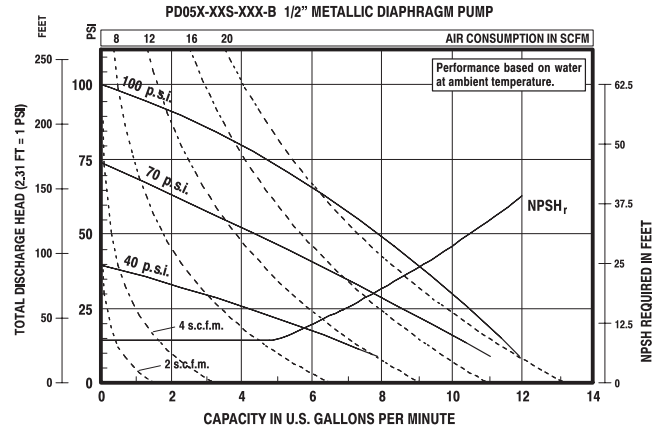


DIMENSIONS

A 8-1/8" (206.0 mm)	G see below	N 6-5/16" (159.9 mm)
B 11-1/16" (280.4 mm)	H 4-7/8" (123.8 mm)	P see below
C 6-1/8" (155.6 mm)	J 5-1/2" (139.7 mm)	Q 1-1/4" (31.6 mm)
D 2" (50.8 mm)	K 5/16" (8.0 mm)	R see below
E see below	L 1-1/4" (31.8 mm)	S 3-1/16" (77.8 mm)
F 6" (152.4 mm)	M 3/8" (9.5 mm)	

Dimension	PD05A-XXS-XXX-B	PD05R-XXS-XXX-B
"E"	8-3/32" (205.5 mm)	6-23/32" (170.6 mm)
"G"	11-3/4" (297.9 mm)	11-21/32" (296.0 mm)
"P"	4-5/16" (109.3 mm)	3-27/32" (97.4 mm)
"R"	8-7/32" (208.5 mm)	7-11/16" (194.9 mm)

NOTE: Dimensions are shown in inches and (mm), supplied for reference only and are typically rounded up to the nearest 1/16 inch.



Refer to fluids.ingersollrand.com for full size flow curves.

For additional information contact technical support at (800)495-0276

METALLIC