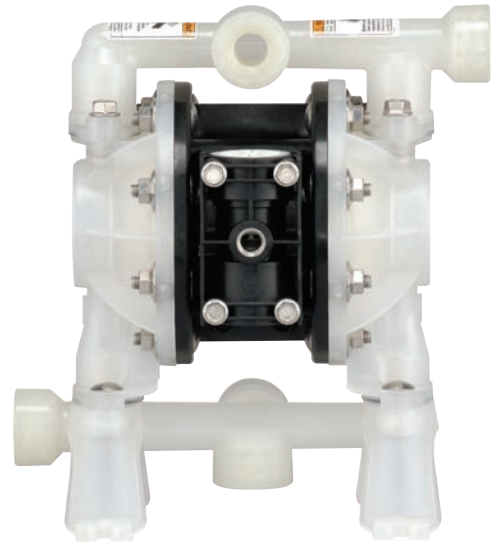


# 1/2" Non-Metallic Models OEM / Transfer Pumps

## 1/2" Non-Metallic Performance Specifications

<b>Ratio:</b>	1:1
<b>Maximum GPM (LPM):</b>	14.4 (54.5)
<b>Displacement per cycle Gallons (Liters):</b>	0.039 (.15)
<b>Air Inlet (Female):</b>	1/4 -18 P.T.F. SAE SHORT
<b>Fluid Inlet/Outlet:</b>	1/2 - 14 N.P.T.F. - 1 1/2 -14 BSP, parallel
<b>Max. operating pressure psi (bar):</b>	100 (6.9)
<b>Suspended solids max. dia. in. (mm):</b>	3/32" (2.4)
<b>Weight lbs (kg):</b>	PD05P-XDS-XXX-B 6.28 (2.85) PD05P-XES-XXX-B 6.67 (3.03) PD05P-XKS-XXX-B 6.78 (3.08) PD05P-XLS-XXX-B 7.24 (3.28) PD05P-XPS-XXX-B 5.21 (2.36) PD05P-XRS-XXX-B 5.44 (2.47) <b>Note:</b> PE05P-XXS-XXX-B0S, subtract 0.42 (0.19)
<b>Maximum dry suction lift ft (m):</b>	15.0 (4.5)

<b>Sound Level:</b>	PSI	Cycles / Min	db(A)
	70	60	71.0



## Ordering Menu

PX05	P	-	X	X	S	-	X	X	X	-	BXX
<b>Model Series</b>	<b>Center Section Material</b>		<b>Fluid Connection</b>	<b>Fluid Caps/ Manifold Material</b>	<b>Hardware Material</b>		<b>Seat Material</b>	<b>Ball Material</b>	<b>Diaphragm Material</b>		<b>Specialty Code</b>
PD05 Standard PE05 Remote Actuation Capable	P Polypropylene		A 1/2" NPT B 1/2" BSP	D Groundable Acetal (single port) E Groundable Acetal (multiple port) K PVDF (single port) L PVDF (multiple port) P Polypropylene (single port) R Polypropylene (multiple port)	S Stainless Steel		D Acetal K PVDF P Polypropylene S Stainless Steel	A Santoprene C Hytrel <sup>†</sup> G Nitrile S Stainless Steel T PTFE/Santoprene U Polyurethane V Viton	A Santoprene C Hytrel <sup>†</sup> G Nitrile T PTFE/Santoprene U Polyurethane V Viton		B Standard B0S Remote Actuation Capable**

<sup>†</sup> Hytrel replaces Buna, Geolast, Polyurethane and Nitrile producing superior chemical compatibility and diaphragm life

## Accessories\* (for specialty pump application options and additional accessories see pages 40-45)

### Air Line Connection Kit | Kit No. 66073-1

Kit includes Piggyback Filter/Regulator with gauge, pipe nipple and a 5-foot section of air hose.

**Service Repair Kits |** Kit No. 637428 (air motor for PX05P)  
Kit No. 637427-XX (fluid section)

**Muffler Kit |** Kit No. 637438 (ported exhaust)

**Wall Mount Kit |** 76763



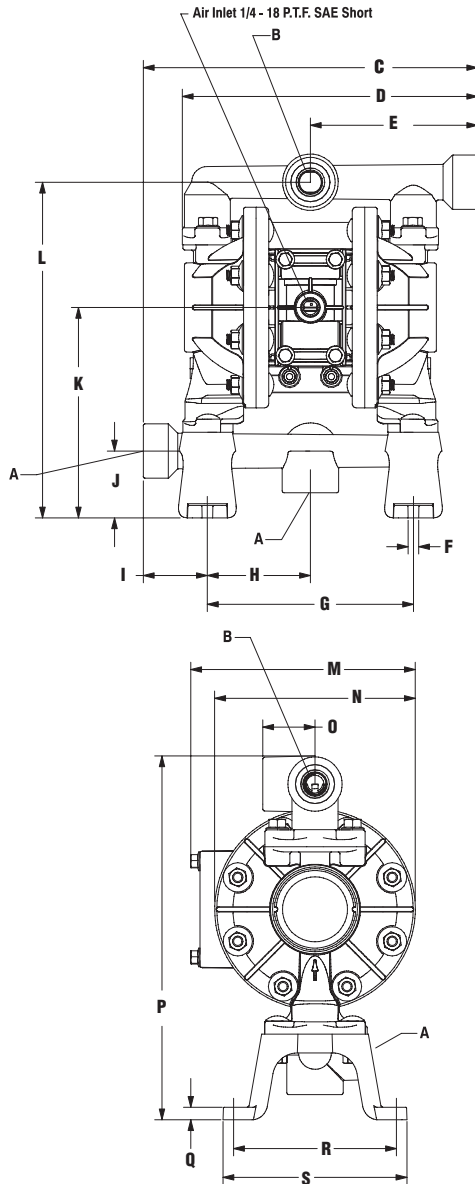
Air Line Connection  
Kit 66073-1

\*Please note pumps are not included with these kits.

\*\*See options on page 45.

# 1/2" Non-Metallic Dimensions and Flow Curves OEM / Transfer Pumps

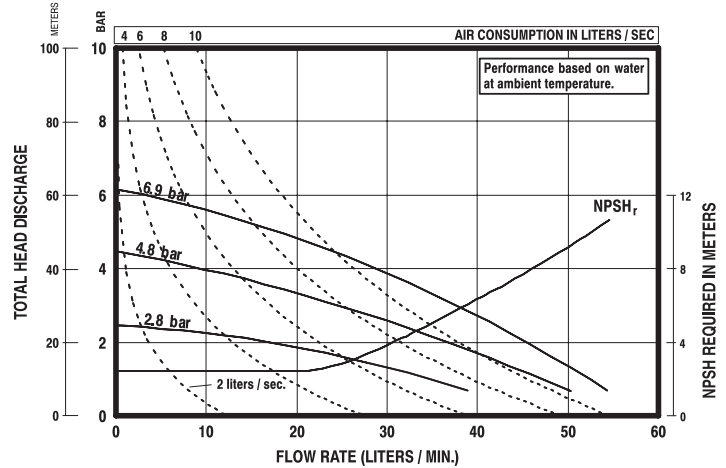
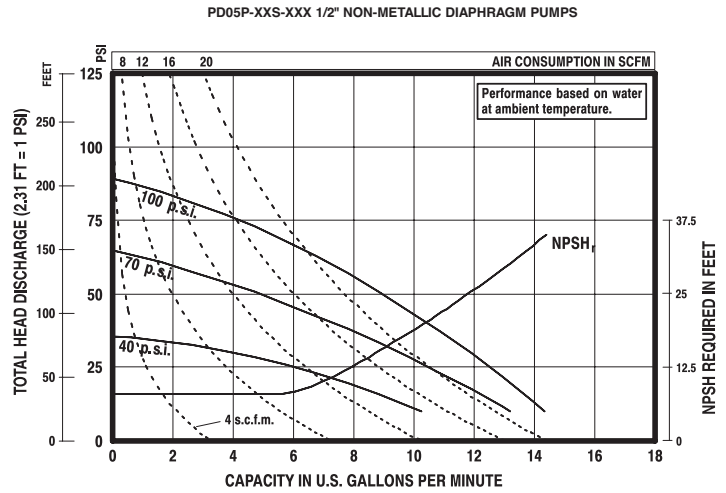
NON-METALLIC



<b>Pump Model</b>	<b>"A" Material Inlet</b>
PD05P-AXS-XXX-B	1/2 - 14 NPTF-1
<b>Pump Model</b>	<b>"B" Material Outlet</b>
PD05P-AXS-XXX-B	1/2 - 14 NPTF-1
<b>Pump Model</b>	<b>"A" Material Inlet</b>
PD05P-BXS-XXX-B	Rp 1/2 (1/2 - 14 BSP, parallel)
<b>Pump Model</b>	<b>"B" Material Outlet</b>
PD05P-BXS-XXX-B	Rp 1/2 (1/2 - 14 BSP, parallel)

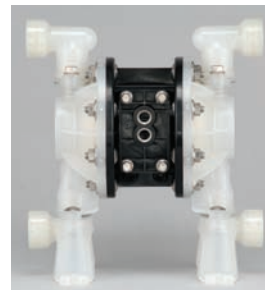
### DIMENSIONS

C - 10" (254.0 mm)	I - 1-59/64" (48.8 mm)	O - 1-9/16" (39.7 mm)
D - 8-27/32" (224.3 mm)	J - 2" (50.8 mm)	P - 10-7/8" (275.7 mm)
E - 5" (127.0 mm)	K - 6-5/16" (159.9 mm)	Q - 3/8" (9.5 mm)
F - 5/16" (8.0 mm)	L - 10-1/16" (255.0 mm)	R - 4-7/8" (123.8 mm)
G - 6.164" (156.6 mm)	M - 6-23/32" (170.6 mm)	S - 5-1/2" (139.7 mm)
H - 3-3/32" (78.3 mm)	N - 6" (152.4 mm)	



Refer to fluids.ingersollrand.com for full size flow curves.

For additional information contact  
technical support at (800)495-0276



PE05P-APS-PAA-B0S  
with 637440-1 kit

### Dual Inlet/Outlet Kits

- 637440-1 (NPT Poly)
- 637440-4 (BSP Poly)
- 637440-2 (NPT Acetal)
- 637440-5 (BSP Acetal)
- 637440-3 (NPT PVDF)
- 637440-6 (BSP PVDF)

**Note:** For dual inlet / outlet configuration, first order a standard pump, then select the appropriate dual inlet/ outlet kit. Upon receipt of pump, replace the original inlet and outlet manifolds with the dual inlet/outlet kit.

For example: PD05P-ARS-PSS-B (standard pump)  
637440-1 (dual inlet/outlet kit)