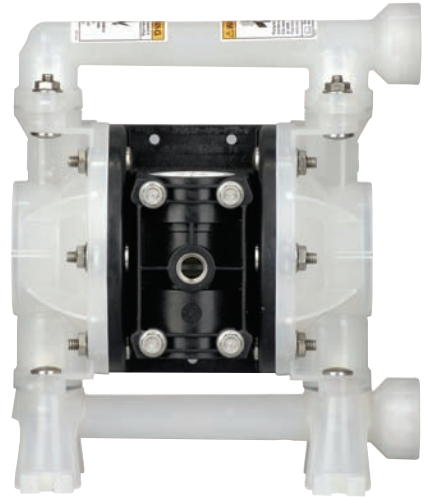


3/8" Non-Metallic Models OEM / Transfer Pumps

3/8" Non-Metallic Performance Specifications

Ratio:	1:1		
Maximum GPM (LPM):	10.6 (40.1)	8.7 (32.9)	Flex check
Displacement per cycle Gallons (Liters):	0.022 (.083)	.013 (0.068)	Flex check
Air Inlet (Female):	1/4 - 18 P.T.F. SAE Short		
Fluid Inlet:	3/8 - 18 N.P.T.F. - 1 (side or center) Rp 3/8 (3/8 - 19 BSP side or center)		
Fluid Outlet:	3/8 - 18 N.P.T.F. - 1 (side) Rp 3/8 (3/8 - 19 BSP side)		
Max. operating pressure psi (bar):	100 (6.9)		
Suspended solids max. dia. in. (mm):	1/16" (1.6) Flex check (Fibers)		
Weight lbs (kg):	PD03P-XDS-XXX	4.16 (1.89)	
	PD03P-XES-XXX	4.26 (1.93)	
	PD03P-XKS-XXX	4.50 (2.04)	
	PD03P-XLS-XXX	4.62 (2.10)	
	PD03P-XPS-XXX	3.44 (1.56)	
	PD03P-XRS-XXX	3.55 (1.59)	
Maximum dry suction lift ft (m):	9.25 (2.8)		
Sound Level:	PSI	Cycles / Min	db(A)
	70	60	72.7



Ordering Menu

PX03	P	-	X	X	X	-	XXX	XXX
Model Series	Center Section		Connection		Hardware		Seat Material	Ball Material
PD03 Standard Pump PE03 Remote Actuation Capable	P Polypropylene		A 3/8 -18 N.P.T.F.-1 B Rp 3/8 (3/8 - 19 BSP) Wetted Parts D Groundable Acetal (Single Port) E Groundable Acetal (Multiple Port) K PVDF (Single Port) L PVDF (Multiple Port) P Polypropylene (Single Port) R Polypropylene (Multiple Port)	S	X Stainless Steel		D Acetal K PVDF P Polypropylene S Stainless Steel O Flex check	A Santoprene® C Hytrel® J Nitrile* N Neoprene* S Stainless Steel T PTFE V Viton®
								Diaphragm Material
								A Santoprene C Hytrel T PTFE / Santoprene V Viton
								Specialty Code
								- No Extension Standard A0S Remote Actuation Capable**

Accessories*

Air Line Connection Kit | Kit No. 66073-1

Kit includes Piggyback Filter/Regulator with gauge, pipe nipple and a 5-foot section of air hose.

Cycle Counter Kit | Kit No. 67386

Provides a closed contact output for monitoring pump operation. Can be used to monitor cycle rates, preventative maintenance and rough flow rate indication.

Service Repair Kits | Kit No. 637428 (air motor)
Kit No. 637429-XX (fluid section)

Wall Mount Bracket | 67388

*Please note pumps are not included with these kits.

**See options on page 45.



Air Line Connection Kit 66073-1

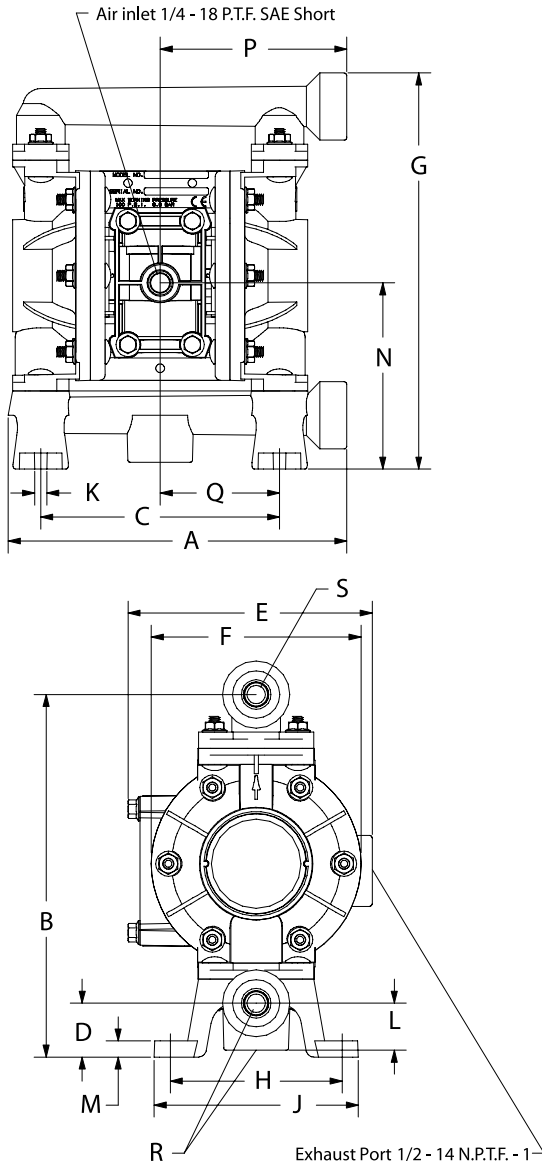


Wall Mount Bracket Kit 67388

Viton® and Hytrel® are trademarks of the DuPont Company.
Santoprene® is a registered trademark of Monsanto Company, licensed to Advanced Elastomer Systems, L.P.

3/8" Non-Metallic Dimensions and Flow Curves OEM / Transfer Pumps

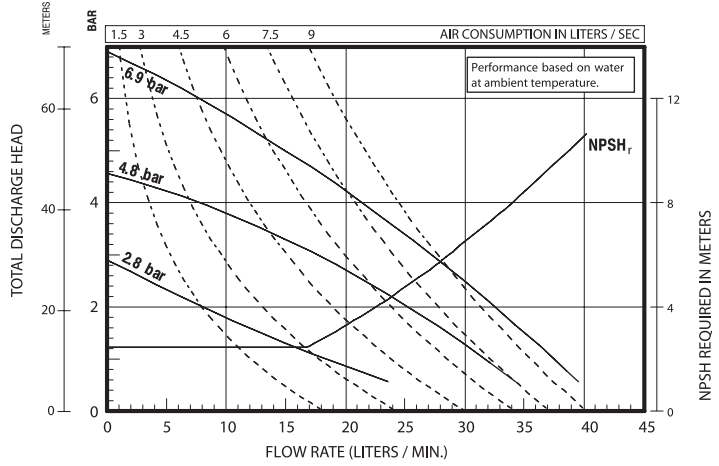
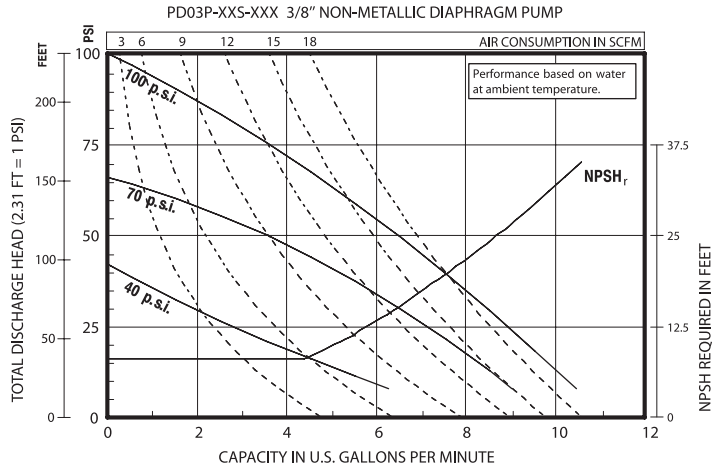
NON-METALLIC



DIMENSIONS

A 7-29/32" (200.2 mm)	F 4-7/8" (123.9 mm)	L 1-3/32" (27.8 mm)
B 8-7/16" (214.3 mm)	G 9-7/32" (234.2 mm)	M 3/8" (9.5 mm)
C 5-9/16" (141.3 mm)	H 4" (101.6 mm)	N 4-11/32" (110.1 mm)
D 1-1/4" (31.8 mm)	J 4-3/4" (120.7 mm)	P 4-11/32" (110.3 mm)
E 5-23/32" (145.2 mm)	K 9/32" (7.1 mm)	Q 2-25/32" (70.6 mm)

Model	"R" Material Inlet	"S" Material Outlet
PD03P-AXS-XXX	3/8 - 18 N.P.T.F. - 1	3/8 - 18 N.P.T.F. - 1
PD03P-BXS-XXX	Rp 3/8 (3/8 - 19 BSP)	Rp 3/8 (3/8 - 19 BSP)



PE03P-APS-PAA -A0S
with 637442-1 kit

Dual Inlet/Outlet Kits

- 637442-1 (NPT Poly)
- 637442-4 (BSP Poly)
- 637442-3 (NPT PVDF)
- 637442-6 (BSP PVDF)
- 637442-2 (NPT ACETAL)
- 637442-5 (BSP ACETAL)

Note: For dual inlet / outlet configuration, first order a standard pump, then select the appropriate dual inlet/ outlet kit. Upon receipt of pump, replace the original inlet and outlet manifolds with the dual inlet/outlet kit.

For example: PD03P-ARS-PSS (standard pump)
637442-1 (dual inlet/outlet kit)