

**Sectional View**

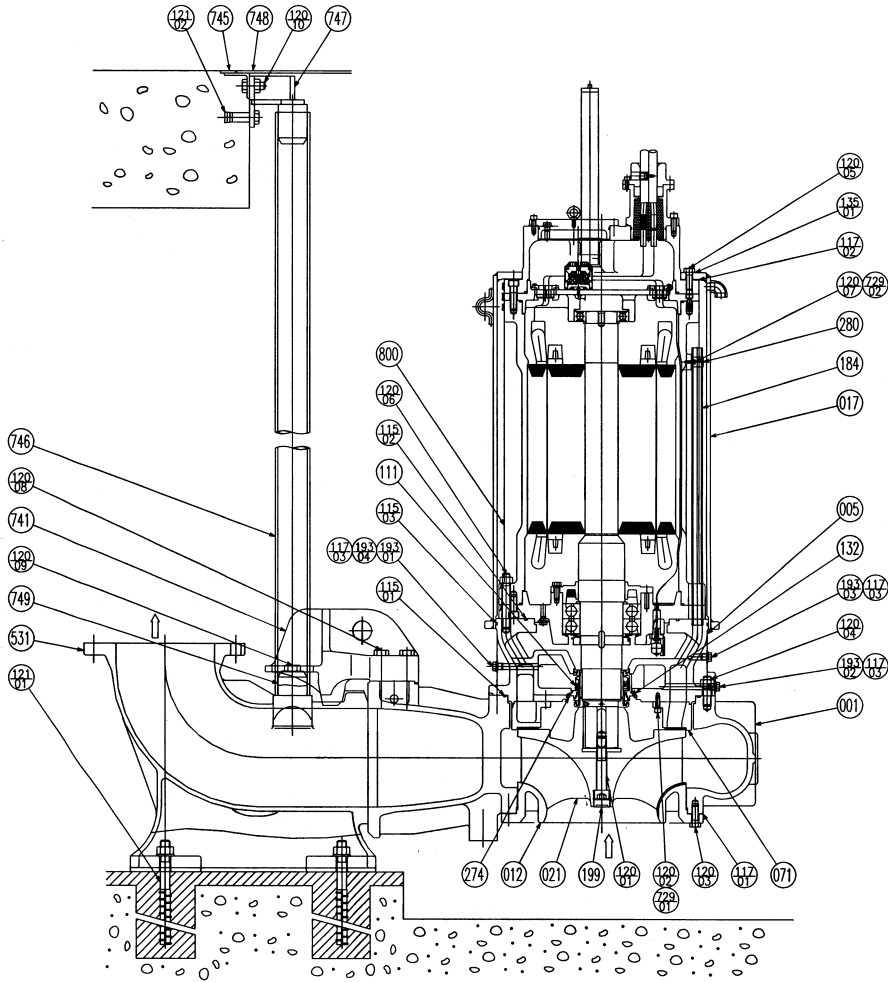
Project:

Model:

Chk'd:

Date:

**Model DSC4 with Quick Discharge Connector  
Semi-Open Impeller**



Part No.	Part Name	Material	No. for 1 Unit
800	Motor	-	1 Set
749	Guide Pipe Bush	AISI 304	2
748	Floor Plate	ASTM A283	1
747	Guide Pipe Holder	ASTM A283	1
746	Guide Pipe	AISI 304	2
745	Floor Frame	ASTM A283	1
741	Sliding Guide	ASTM 536	1
729-02	Spring Washer	AISI 304	4
729-01	Spring Washer	AISI 304	6
531	Quick Discharge Connector	ASTM A48 CL35	1
280	Pipe Clamp	AISI 304	2
274	Snap Ring	AISI 304	1
199	Impeller Bolt Cap	ASTM A48 CL30	1
193-04	Plug (Air Vent)	AISI 304	1
193-03	Plug (Leak Check)	AISI 304	1
193-02	Plug (Oil Drain)	AISI 304	1
193-01	Plug (Oil Port)	AISI 304	1
184	Cooling Water Pipe	SGP	2
135-01	Seal Washer	AISI304/NBR	12
132	Parallel Pin	AISI 304	2
121-02	Hole-in Anchor	AISI 304	2
121-01	Anchor Bolt	AISI 304	4
120-10	Holder Bolt	AISI 304	2
120-09	Hex. Head Bolt	AISI 304	2
120-08	Hex. Head Bolt	AISI 304	4
120-07	Hex. Head Bolt	AISI 304	4
120-06	Stud Bolt/Nut	AISI 304	8
120-05	Hex. Head Bolt	AISI 304	12
120-04	Stud Bolt/Nut	AISI 304	12
120-03	Hex. Head Bolt	AISI 304	16
120-02	Hex. Socket Cap Screw	AISI 304	6
120-01	Impeller Bolt	AISI 403	1
117-03	Sheet Gasket	-	4
117-02	Sheet Gasket	NBR	1
117-01	Sheet Gasket	Non-Asbestos	1 Set
115-03	O-Ring	NBR	1
115-02	O-Ring	NBR	1
115-01	O-Ring	NBR	1
111	Mechanical Seal	-	1 Set
071	Side Plate	ASTM A48 CL35	1
021	Impeller	ASTM A48 CL35	1
017	Cooling Jacket	ASTM A283 Gr. D	1
012	Suction Cover	ASTM A48 CL35	1
005	Intermediate Casing	ASTM A48 CL35	1
001	Pump Casing	ASTM A48 CL35	1

**For reference only;  
consult spare parts pricing for available spare parts**

**Sectional View**

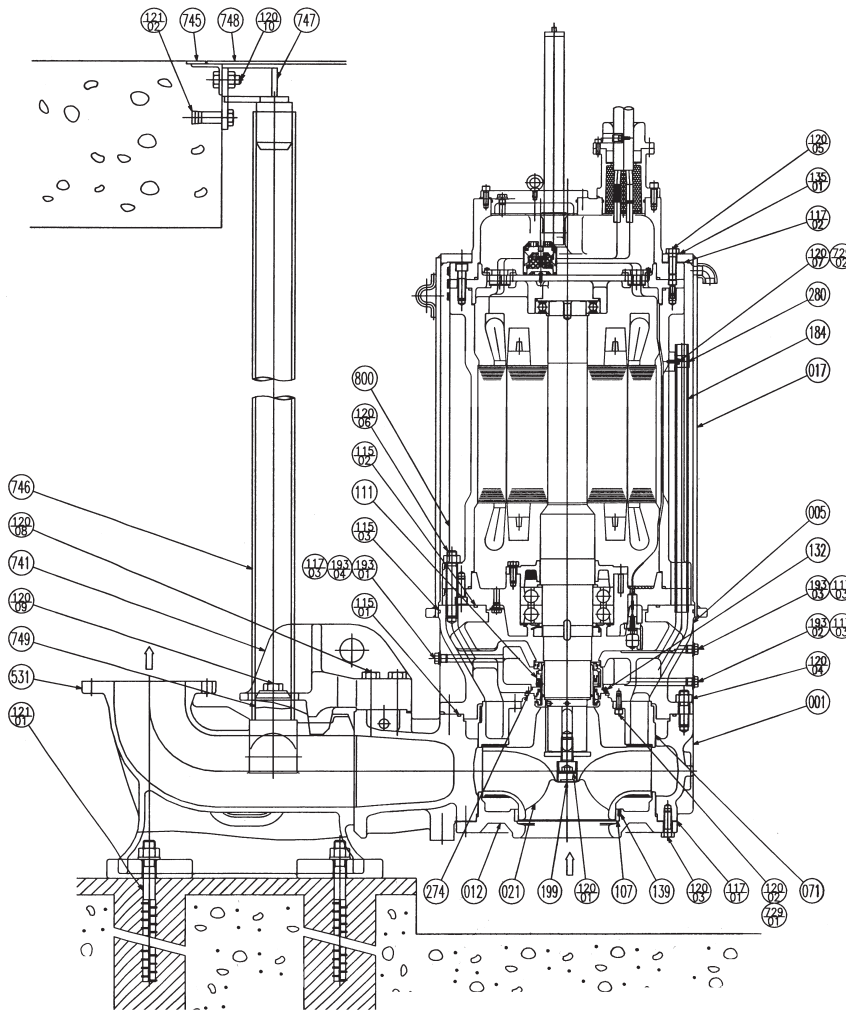
Project:

Model:

Chk'd:

Date:

**Model DSC4 with Quick Discharge Connector  
Enclosed Impeller**



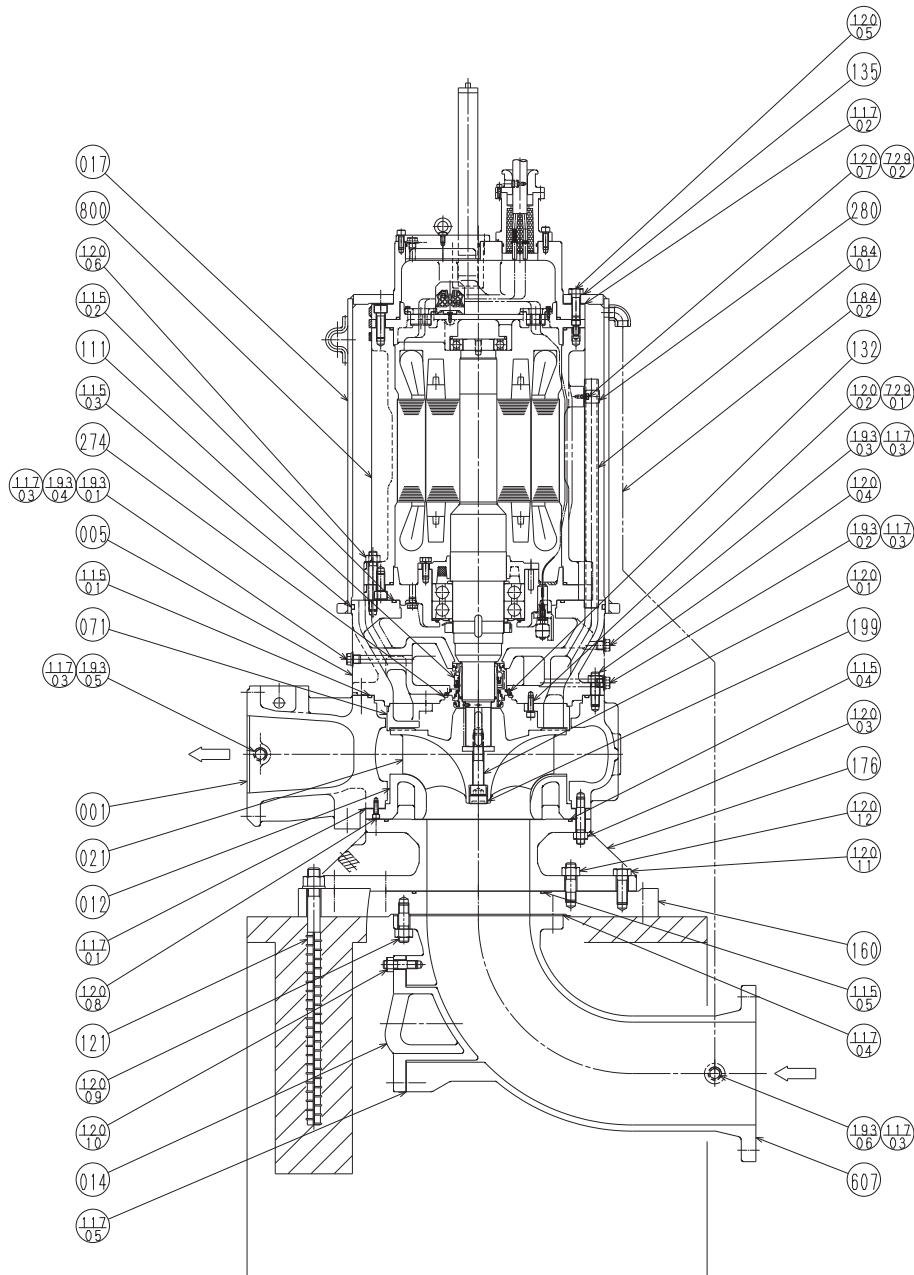
Part No.	Part Name	Material	No. for 1 Unit
800	Motor	-	1 Set
749	Guide Pipe Bush	AISI 304	2
748	Floor Plate	ASTM A283	1
747	Guide Pipe Holder	ASTM A283	1
746	Guide Pipe	AISI 304	2
745	Floor Frame	ASTM A283	1
741	Sliding Guide	ASTM 536	1
729-02	Spring Washer	AISI 304	4
729-01	Spring Washer	AISI 304	6
531	Quick Discharge Connector	ASTM A48 CL35	1
280	Pipe Clamp	AISI 304	2
274	Snap Ring	AISI 304	1
199	Impeller Bolt Cap	ASTM A48 CL30	1
193-04	Plug (Air Vent)	AISI 304	1
193-03	Plug (Leak Check)	AISI 304	1
193-02	Plug (Oil Drain)	AISI 304	1
193-01	Plug (Oil Port)	AISI 304	1
184	Cooling Water Pipe	SGP	2
139	Spring Pin	AISI 304	2
135-01	Seal Washer	AISI304/NBR	12
132	Parallel Pin	AISI 304	2
121-02	Hole-in Anchor	AISI 304	2
121-01	Anchor Bolt	AISI 304	4
120-10	Holder Bolt	AISI 304	2
120-09	Hex. Head Bolt	AISI 304	2
120-08	Hex. Head Bolt	AISI 304	4
120-07	Hex. Head Bolt	AISI 304	4
120-06	Stud Bolt/Nut	AISI 304	8
120-05	Hex. Head Bolt	AISI 304	12
120-04	Stud Bolt/Nut	AISI 304	12
120-03	Hex. Head Bolt	AISI 304	16
120-02	Hex. Socket Cap Screw	AISI 304	6
120-01	Impeller Bolt	AISI 403	1
117-03	Sheet Gasket	-	4
117-02	Sheet Gasket	NBR	1
117-01	Sheet Gasket	Non-Asbestos	1
115-03	O-Ring	NBR	1
115-02	O-Ring	NBR	1
115-01	O-Ring	NBR	1
111	Mechanical Seal	-	1 Set
107	Casing Ring	SUS420	
071	Side Plate	ASTM A48 CL35	1
021	Impeller	ASTM A48 CL35	1
017	Cooling Jacket	ASTM A283 Gr. D	1
012	Suction Cover	ASTM A48 CL35	1
005	Intermediate Casing	ASTM A48 CL35	1
001	Pump Casing	ASTM A48 CL35	1

**For reference only;  
consult spare parts pricing for available spare parts**

**Sectional View**

Project: \_\_\_\_\_ Model: \_\_\_\_\_ Chk'd: \_\_\_\_\_ Date: \_\_\_\_\_

**Model DSCA4 Drypit Application  
Semi-Open Impeller**



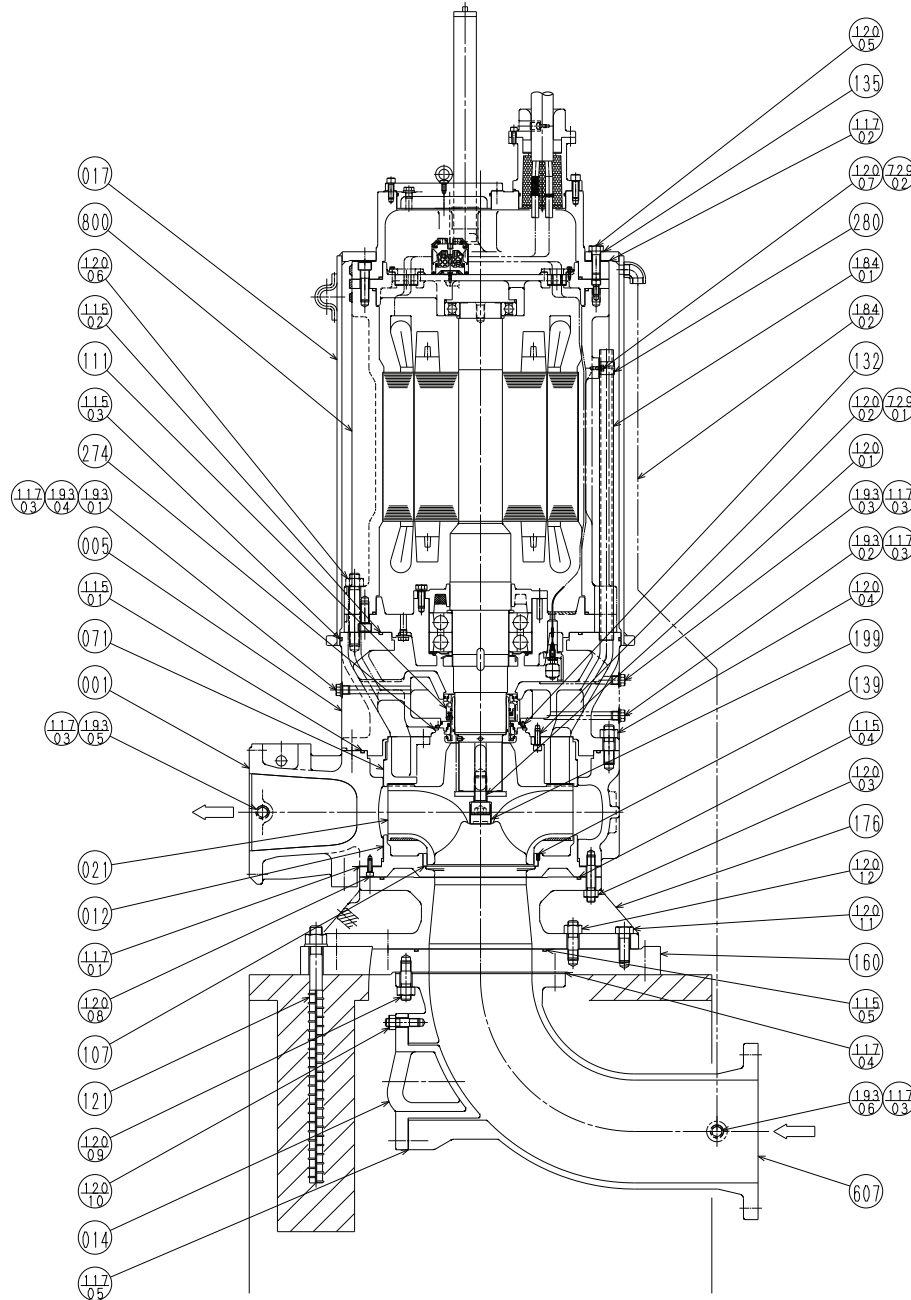
Part No.	Part Name	Material	No. for 1 Unit
800	Motor	-	1 Set
729-02	Spring Washer	AISI 304	4
729-01	Spring Washer	AISI 304	6
607	Suction Elbow	ASTM A48 CL35	1
280	Pipe Clamp	AISI 304	2
274	Snap Ring	AISI 304	1
199	Impeller Bolt Cap	ASTM A48 CL35	1
193-06	Plug (Gauge Connection)	AISI 304	1
193-05	Plug (Gauge Connection)	AISI 304	1
193-04	Plug (Air Vent)	AISI 304	1
193-03	Plug (Leak Check)	AISI 304	1
193-02	Plug (Oil Drain)	AISI 304	1
193-01	Plug (Oil Port)	AISI 304	1
184-02	Return Pipe	SGP/FCMB	1 Set
184-01	Cooling Water Pipe	SGP	2
176	Suction Stand	ASTM A48 CL35	1
160	Base	ASTM A283	1
135	Seal Washer	AISI304/NBR	8
132	Parallel Pin	SUS420	2
121	Anchor Bolt	SD295A	4
120-12	Stud Bolt/Nut	ASTM A283	8
120-11	Hex. Head Bolt	ASTM A283	8
120-10	Stud Bolt/Nut	ASTM A283	8
120-09	Stud Bolt/Nut	ASTM A283	12
120-08	Hex. Socket Cap Screw	AISI 304	4
120-07	Hex. Head Bolt	AISI 304	4
120-06	Stud Bolt/Nut	AISI 304	8
120-05	Hex. Head Bolt	AISI 304	8
120-04	Stud Bolt/Nut	AISI 304	12
120-03	Stud Bolt/Nut	ASTM A283	12
120-02	Hex. Socket Cap Screw	AISI 304	6
120-01	Impeller Bolt	AISI 403	1
117-05	Sheet Gasket	Non-Asbestos	1
117-04	Sheet Gasket	Non-Asbestos	1
117-03	Sheet Gasket	-	6
117-02	Sheet Gasket	NBR	1
117-01	Sheet Gasket	Non-Asbestos	1 Set
115-05	O-Ring	NBR	1
115-04	O-Ring	NBR	1
115-03	O-Ring	NBR	1
115-02	O-Ring	NBR	1
115-01	O-Ring	NBR	1
111	Mechanical Seal	-	1 Set
071	Side Plate	ASTM A48 CL35	1
021	Impeller	ASTM A48 CL35	1
017	Cooling Jacket	ASTM A283 Gr. D	1
014	Handhole Cover	ASTM A48 CL35	1
012	Suction Cover	ASTM A48 CL35	1
005	Intermediate Casing	ASTM A48 CL35	1
001	Pump Casing	ASTM A48 CL35	1

*For reference only;  
consult spare parts pricing for available spare parts*

**Sectional View**

Project: \_\_\_\_\_ Model: \_\_\_\_\_ Chk'd: \_\_\_\_\_ Date: \_\_\_\_\_

**Model DSCA4 Drypit Application  
Enclosed Impeller**



Part No.	Part Name	Material	No. for 1 Unit
800	Motor	-	1 Set
729-02	Spring Washer	AISI 304	4
729-01	Spring Washer	AISI 304	6
607	Suction Elbow	ASTM A48 CL35	1
280	Pipe Clamp	AISI 304	2
274	Snap Ring	AISI 304	1
199	Impeller Bolt Cap	FC200	1
193-06	Plug (Gauge Connection)	AISI 304	1
193-05	Plug (Gauge Connection)	AISI 304	1
193-04	Plug (Air Vent)	AISI 304	1
193-03	Plug (Leak Check)	AISI 304	1
193-02	Plug (Oil Drain)	AISI 304	1
193-01	Plug (Oil Port)	AISI 304	1
184-02	Return Pipe	SGP/FCMB	1 Set
184-01	Cooling Water Pipe	SGP	2
176	Suction Stand	ASTM A48 CL35	1
160	Base	ASTM A283	1
139	Spring Pin	AISI 304	2
135	Seal Washer	AISI304/NBR	8
132	Parallel Pin	SUS420	2
121	Anchor Bolt	SD295A	4
120-12	Stud Bolt/Nut	ASTM A283	8
120-11	Hex. Head Bolt	ASTM A283	8
120-10	Stud Bolt/Nut	ASTM A283	8
120-09	Stud Bolt/Nut	ASTM A283	12
120-08	Hex. Socket Cap Screw	AISI 304	4
120-07	Hex. Head Bolt	AISI 304	4
120-06	Stud Bolt/Nut	AISI 304	8
120-05	Hex. Head Bolt	AISI 304	12
120-04	Stud Bolt/Nut	AISI 304	12
120-03	Stud Bolt/Nut	ASTM A283	16
120-02	Hex. Socket Cap Screw	AISI 304	6
120-01	Impeller Bolt	AISI 403	1
117-05	Sheet Gasket	Non-Asbestos	1
117-04	Sheet Gasket	Non-Asbestos	1
117-03	Sheet Gasket	-	6
117-02	Sheet Gasket	NBR	1
117-01	Sheet Gasket	Non-Asbestos	1 Set
115-05	O-Ring	NBR	1
115-04	O-Ring	NBR	1
115-03	O-Ring	NBR	1
115-02	O-Ring	NBR	1
115-01	O-Ring	NBR	1
111	Mechanical Seal	-	1 Set
107	Casing Ring	SUS420	1
071	Side Plate	ASTM A48 CL35	1
021	Impeller	ASTM A48 CL35	1
017	Cooling Jacket	ASTM A283 Gr. D	1
014	Handhole Cover	ASTM A48 CL35	1
012	Suction Cover	ASTM A48 CL35	1
005	Intermediate Casing	ASTM A48 CL35	1
001	Pump Casing	ASTM A48 CL35	1

**For reference only;  
consult spare parts pricing for available spare parts**