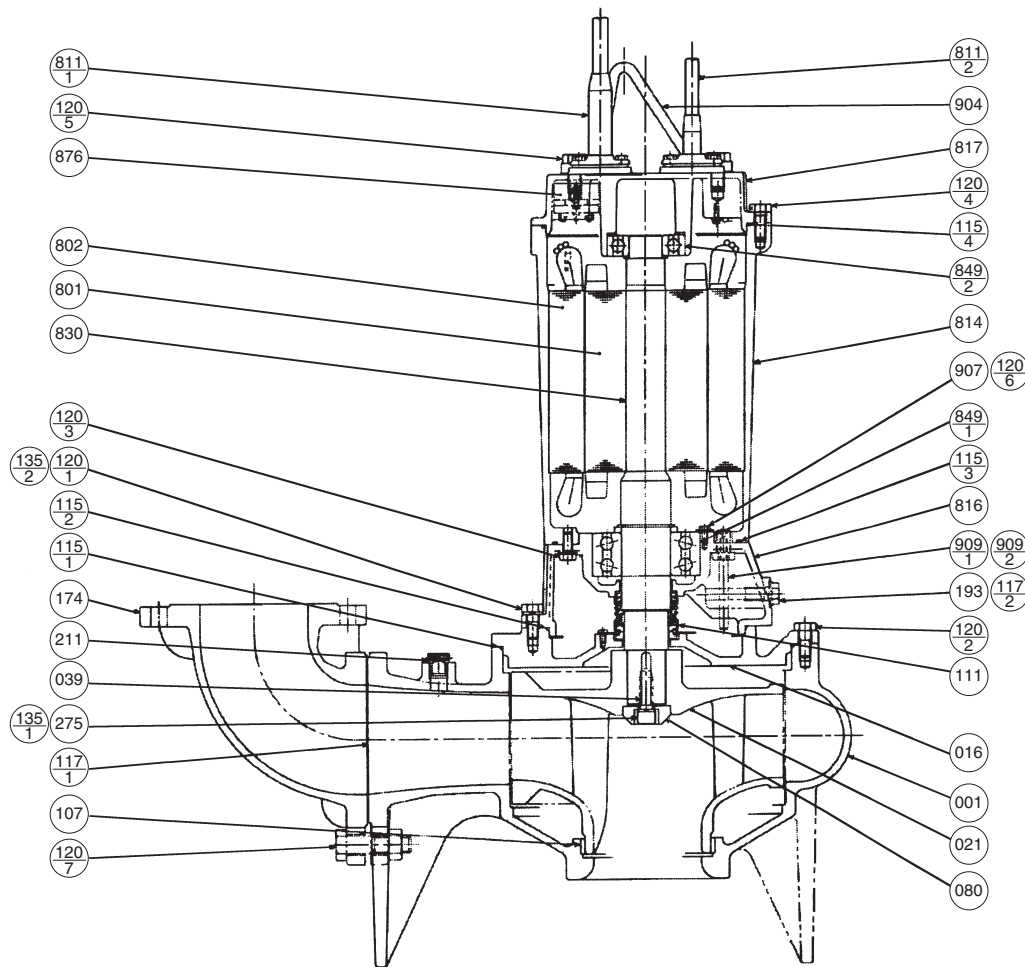


Sectional View

Project: _____ Model: _____ Chk'd: _____ Date: _____

80DMLE62.2



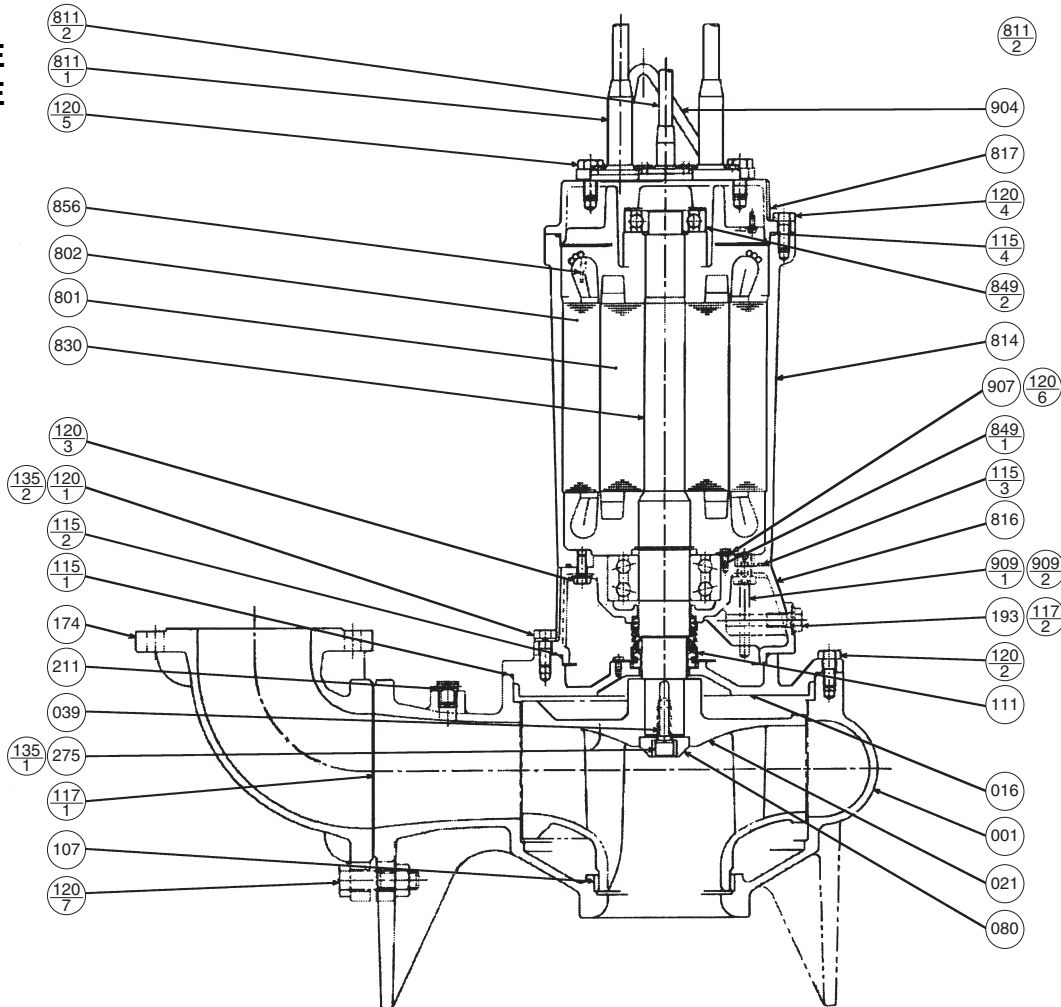
PART NO.	PART NAME	MATERIAL	NO. FOR 1 UNIT
909-2	ELECTRODE HOLDER	PVC	1
909-1	ELECTRODE	SUS304	1
907	BEARING COVER	SPCC	1
904	LIFTING HANGER	SS400	1
876	AUTO CUT	—	1
849-2	BALL BEARING	—	1
849-1	BALL BEARING	—	1
830	SHAFT	SUS403	1
817	OPPOSITE SIDE BRACKET	FC200	1
816	POWER SIDE BRACK-	FC200	1
814	ET	FC200	1
811-2	MOTOR FRAME	—	1
811-1	SUBMERSIBLE CABLE	—	1
802	SUBMERSIBLE CABLE	—	1
801	STATOR	—	1
275	ROTOR	SUS304	1
211	IMPELLER BOLT	C3604	1
193	AIR VENT VALVE	SUS304	1
174	OIL PLUG	FC200	1
135-2	DISCHARGE PIPE	SUS304	4
135-1	WASHER	SUS304	1
	WASHER		

PART NO.	PART NAME	MATERIAL	NO. FOR 1 UNIT
120-7	BOLT	SUS304	4
120-6	BOLT	SUS304	3
120-5	BOLT	SUS304	2
120-4	BOLT	SUS304	4
120-3	BOLT	SUS304	4
120-2	BOLT	SUS304	8
120-1	BOLT	SUS304	4
117-2	SEAL WASHER	NBR/304	1
117-1	FLANGE GASKET	—	1
115-4	O-RING	NBR	1
115-3	O-RING	NBR	1
115-2	O-RING	NBR	1
115-1	O-RING	NBR	1
111	MECHANICAL SEAL	—	1
107	WEARING RING	CAC406	1
080	BUSHING	SS400	1
039	KEY	SUS420J2	1
021	IMPELLER	FC200	1
016	MECHANICAL SEAL COVER	FC200	1
001	CASING	FC200	1

Sectional View

Project: _____ Model: _____ Chk'd: _____ Date: _____

5 to 10 HP
80DMLE
100DMLE
150DMLE



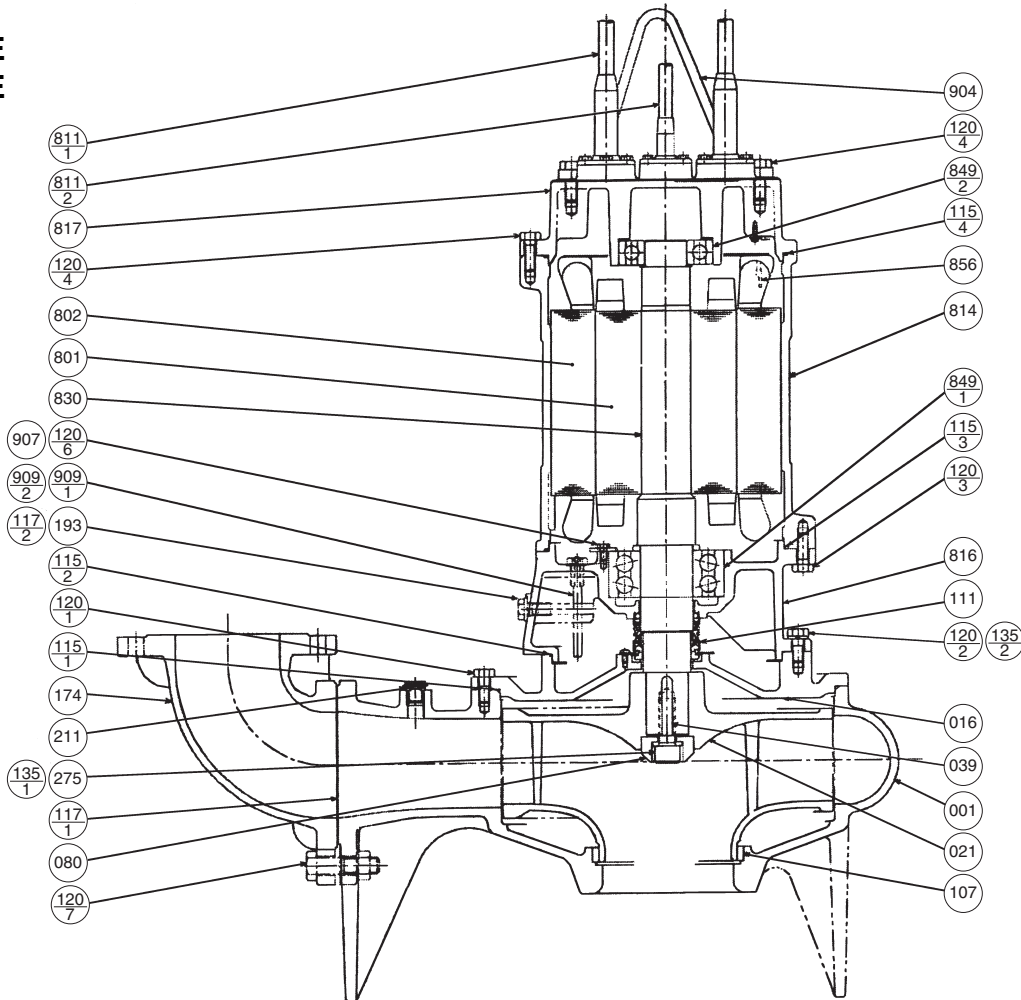
PART NO.	PART NAME	MATERIAL	NO. FOR 1 UNIT
909-2	ELECTRODE HOLDER	PVC	1
909-1	ELECTRODE	SUS304	1
907	BEARING COVER	SPCC	3
904	LIFTING HANGER	SS400	1
856	THERMAL PROTECTOR	—	2
849-2	BALL BEARING	—	1
849-1	BALL BEARING	—	1
830	SHAFT	SUS403	1
817	OPPOSITE SIDE BRACKET	FC200	1
816	POWER SIDE BRACK-	FC200	1
814	ET	FC200	1
811-2	MOTOR FRAME	—	1
811-1	SUBMERSIBLE CABLE	—	2
802	SUBMERSIBLE CABLE	—	1
801	STATOR	—	1
275	ROTOR	SUS304	1
211	IMPELLER BOLT	C3604	1
193	AIR VENT VALVE	SUS304	1
174	OIL PLUG	FC200	1
135-2	DISCHARGE PIPE	SUS304	4
135-1	WASHER	SUS304	1
	WASHER		

PART NO.	PART NAME	MATERIAL	NO. FOR 1 UNIT
120-7	BOLT	SUS304	4
120-6	BOLT	SUS304	3
120-5	BOLT	SUS304	2
120-4	BOLT	SUS304	4
120-3	BOLT	SUS304	4
120-2	BOLT	SUS304	8
120-1	BOLT	SUS304	4
117-2	SEAL WASHER	NBR/304	1
117-1	FLANGE GASKET	—	1
115-4	O-RING	NBR	1
115-3	O-RING	NBR	1
115-2	O-RING	NBR	1
115-1	O-RING	NBR	1
111	MECHANICAL SEAL	—	1
107	WEARING RING	CAC406	1
080	BUSHING	SS400	1
039	KEY	SUS420J2	1
021	IMPELLER	FC200	1
016	MECHANICAL SEAL COVER	FC200	1
001	CASING	FC200	1

Sectional View

Project: _____ Model: _____ Chk'd: _____ Date: _____

**15 to 30HP
80DMLE
100DMLE
150DMLE**



PART NO.	PART NAME	MATERIAL	NO. FOR 1 UNIT
909-2	ELECTRODE HOLDER	PVC	1
909-1	ELECTRODE	SUS304	1
907	BEARING COVER	SPCC	3
904	LIFTING HANGER	SS400	1
856	THERMAL PROTECTOR	—	2
849-2	BALL BEARING	—	1
849-1	BALL BEARING	—	1
830	SHAFT	SUS403	1
817	OPPOSITE SIDE BRACKET	FC200	1
816	POWER SIDE BRACK-	FC200	1
814	ET	FC200	1
811-2	MOTOR FRAME	—	1
811-1	SUBMERSIBLE CABLE	—	2
802	SUBMERSIBLE CABLE	—	1
801	STATOR	—	1
275	ROTOR	SUS304	1
211	IMPELLER BOLT	C3604	1
193	AIR VENT VALVE	SUS304	1
174	OIL PLUG	FC200	1
135-2	DISCHARGE PIPE	SUS304	4
135-1	WASHER	SUS304	1

PART NO.	PART NAME	MATERIAL	NO. FOR 1 UNIT
120-7	BOLT	SUS304	4
120-6	BOLT	SUS304	3
120-5	BOLT	SUS304	2
120-4	BOLT	SUS304	6
120-3	BOLT	SUS304	4
120-2	BOLT	SUS304	4
120-1	BOLT	SUS304	8
117-2	SEAL WASHER	NBR/304	1
117-1	FLANGE GASKET	—	1
115-4	O-RING	NBR	1
115-3	O-RING	NBR	1
115-2	O-RING	NBR	1
115-1	O-RING	NBR	1
111	MECHANICAL SEAL	—	1
107	WEARING RING	CAC406	1
080	BUSHING	SS400	1
039	KEY	SUS420J2	1
021	IMPELLER	FC200	1
016	MECHANICAL SEAL COVER	FC200	1
001	CASING	FC200	1