

EBARA



# Submersible Wastewater, Sewage Pump

Model DLFU  
Model DVFU  
Model DDLFU



water | wastewater | flood control



**EBARA**

**EBARA** Fluid Handling

*an EBARA International Corporation company*

# Model DLFU, DLKFU, DDLFU



## Standard Specifications

<b>Design</b>	Discharge	2, 3, 4, 6, 8, 10, 12 inch
	Horsepower	2 to 60
	Capacity	13 to 4000 GPM
	Total head	7 to 243 feet
	Max.Liquid temp.	104°F/40°C
<b>Speed</b>	1800 RPM	
<b>Materials</b>	Casing	Cast Iron
	Impeller	Cast Iron (2 to 60HP) Ductile Iron (150-300DLFU, 40 to 60HP)
	Shaft	403 Stainless Steel, 2 to 5HP 420 Stainless Steel, 7½ to 60HP
	Motor Frame	Cast Iron
	Fastener	304 Stainless Steel
<b>Construction</b>	<b>Mechanical Seal</b>	Double Mechanical Seal
	Material – Upper	Carbon/Ceramic <i>Optional:</i> Tungsten Carbide/Tungsten/Carbide
	Material – Lower	Silicon Carbide/Silicon Carbide, 2 to 60HP <i>Optional:</i> Tungsten Carbide/Tungsten/Carbide
	Impeller Type	Tungsten Carbide/Tungsten Carbide, 150-300DLFU, 50 & 60 HP Semi-open, 2 to 30HP Enclosed, 40 to 60HP
	Bearing	Prelubricated Ball Bearing
	Motor	Insulation Class H <i>Optional:</i> FM Explosion Proof Class 1, Division 1, Group C, D
	Three Phase	208/230V, 460V
	Service Factor	1.15
	Motor Protection	Built-in Thermal Detector - Klixon Mechanical Seal Leakage - Float Switch
	<b>Submersible Cable</b>	2 to 5HP - 33 ft. standard cable length 7½ to 60HP - 40 ft. standard cable length Optional _____ ft. (customer specified)
<b>Accessories</b>	Optional QDC System	

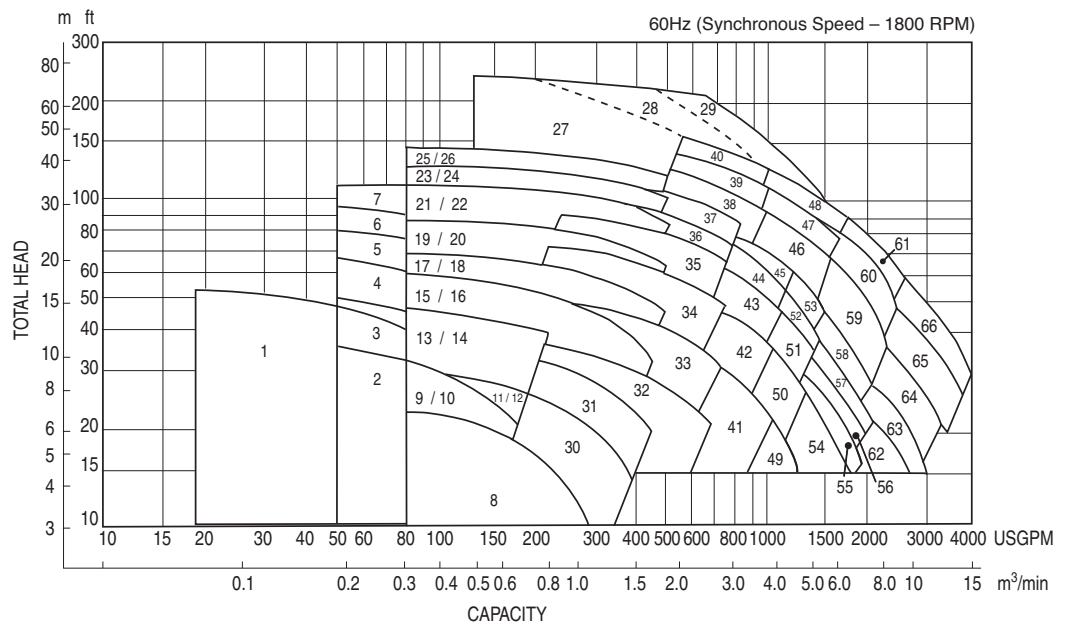
## K-Series, Model DLKFU – Features

Model DLKFU series pumps are designed to tackle clogging challenges with enhanced passage capabilities for handling of fibrous waste. The design features address the most common reasons for clogging caused by fibrous materials:

- Reduces material caught on the vane tips
- Increases inlet pressure which keeps debris moving instead of recirculating
- E-eliminators groove disrupts the accumulation of fibrous debris.

## DLFU selection chart

1 50DLFU61.5 2HP	34 100DLFU611 15HP
2 80DLMFU61.5 2HP	35 100DLFU615 20HP
3 80DLMFU62.2 3HP	36 100DLFU618 25HP
4 80DLMFU63.7 5HP	37 100DLFU622 30HP
5 80DLMFU65.5 7½HP	38 150DLFU630 40HP
6 80DLMFU67.5 10HP	39 150DLFU637 50HP
7 80DLCMFU611 15HP	40 150DLFU645 60HP
8 100DLFU61.5 2HP	41 150DLFU67.5 10HP
9 80DLFU61.5 2HP	42 150DLFU611 15HP
10 100DLMFU61.5 2HP	43 150DLFU615 20HP
11 80DLFU62.2 3HP	44 150DLFU618 25HP
12 100DLMFU62.2 3HP	45 150DLFU622 30HP
13 80DLFU63.7 5HP	46 200DLFU630 40HP
14 100DLMFU63.7 5HP	47 200DLFU637 50HP
15 80DLFU65.5 7½HP	48 200DLFU645 60HP
16 100DLMFU65.5 7½HP	49 200DLFU67.5 10HP
17 80DLFU67.5 10HP	50 200DLFU611 15HP
18 100DLMFU67.5 10HP	51 200DLFU615 20HP
19 80DLFU611 15HP	52 200DLFU618 25HP
20 100DLMFU611 15HP	53 200DLFU622 30HP
21 80DLFU615 20HP	54 250DLFU611 15HP
22 100DLMFU615 20HP	55 250DLBFU615 20HP
23 80DLFU618 25HP	56 250DLCFU615 20HP
24 100DLMFU618 25HP	57 250DLFU618 25HP
25 80DLFU622 30HP	58 250DLFU622 30HP
26 100DLMFU622 30HP	59 250DLFU630 40HP
27 100DLFU630 40HP	60 250DLFU637 50HP
28 100DLFU637 50HP	61 250DLFU645 60HP
29 100DLFU645 60HP	62 300DLFU618 25HP
30 100DLFU62.2 3HP	63 300DLFU622 30HP
31 100DLFU63.7 5HP	64 300DLFU630 40HP
32 100DLFU65.5 7½HP	65 300DLFU637 50HP
33 100DLFU67.5 10HP	66 300DLFU645 60HP



**Please note:** Overlap in coverage is designated by the two numbers; for example "9 / 10". Refer to the legend left for the specific model numbers.

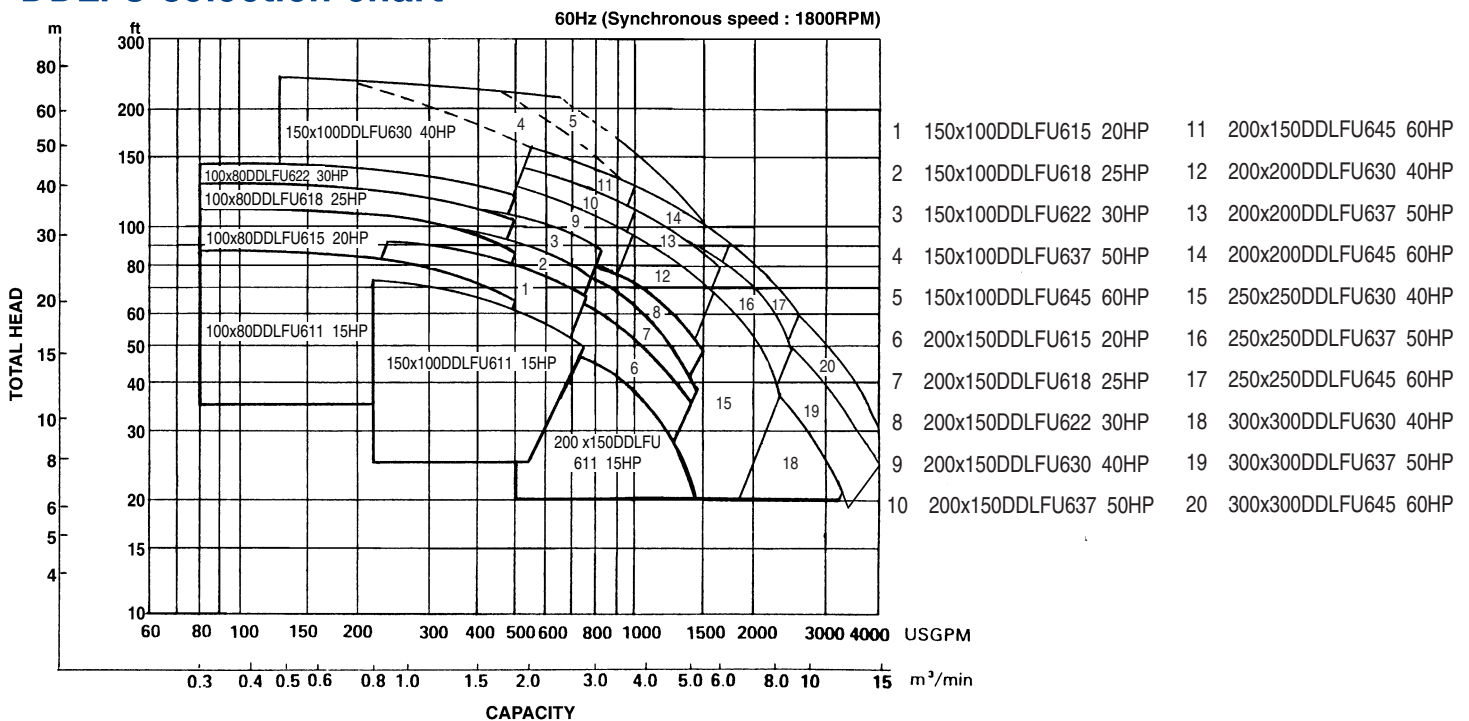
# Model DDLFU



## Standard Specifications

<b>Design</b>	Discharge	4"×3", 6"×4", 8"×6", 8"×8", 10"×10", 12"×12"
	Horsepower	15 to 60HP
	Capacity	80 to 4000 GPM
	Total head	20 to 243 feet
	Max.Liquid temp.	104°F/40°C
<b>Speed</b>	1800 RPM	
<b>Materials</b>	Casing	Cast Iron
	Impeller	Cast Iron
	Shaft	420 Stainless Steel
	Motor Frame	Cast Iron
	Fastener	304 Stainless Steel
<b>Construction</b>	<b>Mechanical Seal</b>	
	Double Mechanical Seal – Tandem Arrangement	
	Material – Upper	Carbon/Ceramic
		<i>Optional:</i> Tungsten Carbide/Tungsten/Carbide
	Material – Lower	Silicon Carbide/Silicon Carbide
		<i>Optional:</i> Tungsten Carbide/Tungsten/Carbide
		Tungsten Carbide/Tungsten Carbide
		(200×150DDLFU and greater, 50 & 60 HP only)
	Impeller Type	Semi-open for 15 to 30HP
		Enclosed for 40 to 60HP
	Bearing	Prelubricated Ball Bearing
	Motor	Insulation Class H
		<i>Optional:</i> FM Explosion Proof Class 1, Division 1, Group C, D
	Three Phase	208/230V, 460V
	Service Factor	1.15
Motor Protection	Built-in Thermal Detector - Klixon	
	Mechanical Seal Leakage - Float Switch	
<b>Submersible Cable</b>	40 ft. standard cable length, Optional 66 ft. Optional ____ ft. (customer specified)	

## DDLFU selection chart





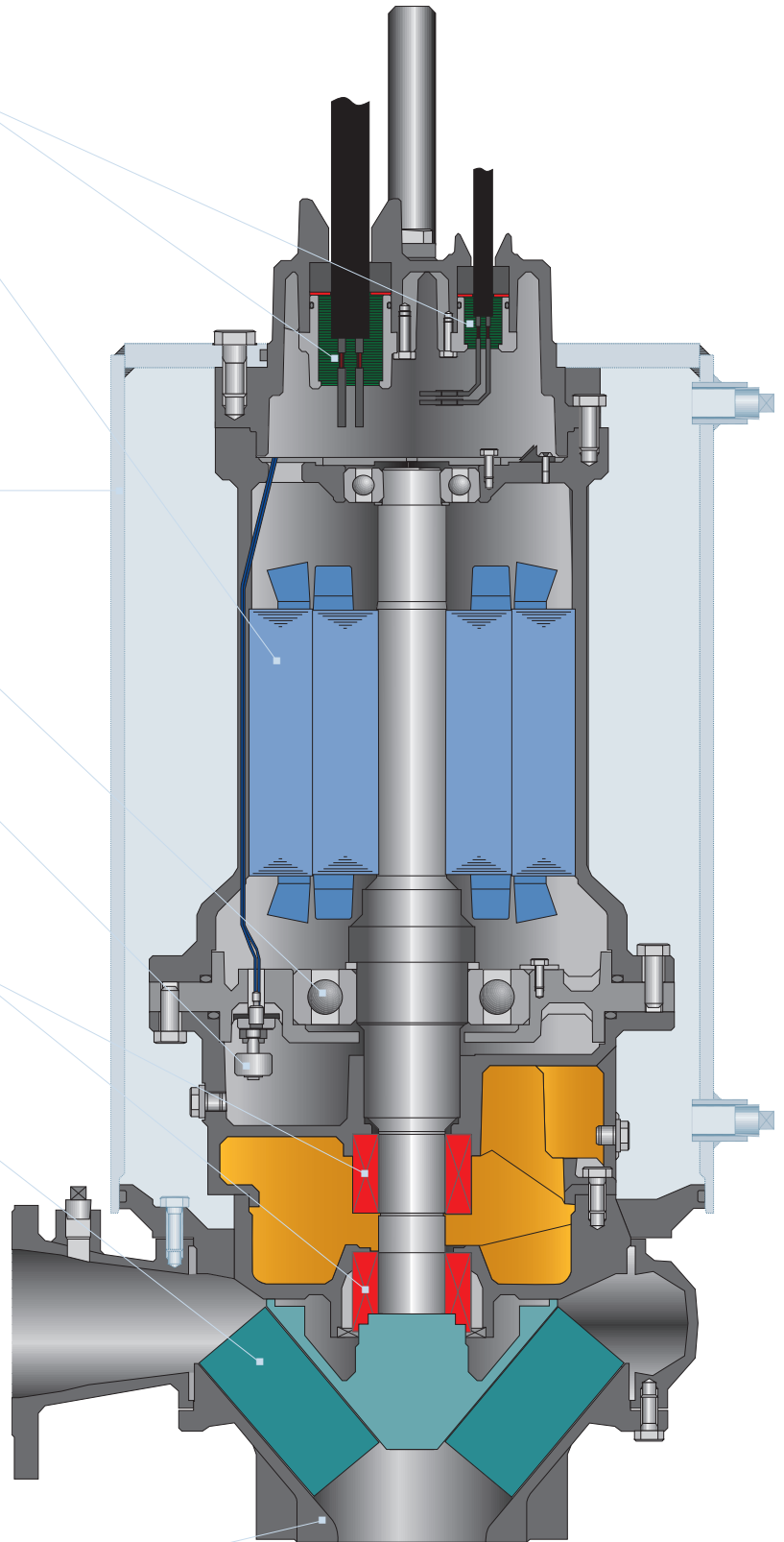
# Model DLFU, DLKFU, DDLFU

## Features

- **Watertight cable entry system** prevents capillary action and protects against moisture; reduces maintenance costs
- **Heavy duty, high efficiency, air filled, Class H insulated, rated for 356°F with a 1.15 service factor** dissipates heat easily; thermal protection in each phase of windings protects; operates cooler with higher efficiencies; longer service life with lower operating costs
- **Self cooling jacket** (Model DDLFU) eliminates the need for external pumping devices or special heat transfer fluids; offers simplicity and high reliability by effectively dissipating heat in dry pit applications only
- **Single and double row thrust bearings** carries thrust loads with L-10 life of 60,000 hours; ensures long, dependable operation and lowers maintenance costs
- **Mechanically actuated float switch** provides early warning of mechanical seal failure; avoids costly motor repairs
- **Double mechanical seals – silicon carbide lower seals, carbon/ceramic upper – hard faced upper and lower seals operate in an oil bath;** providing longer service life and lower maintenance costs
- **High efficiency impellers** pass large solids with high outputs and reduces power consumption; impellers are optimized for hydraulic coverage; lowers operating costs

**Model DLKFU series pumps** are designed to tackle clogging challenges with enhanced passage capabilities for handling of fibrous waste. The design features address the most common reasons for clogging caused by fibrous materials: Reduces material caught on the vane tips, increases inlet pressure which keeps debris moving instead of recirculating and E-eliminators groove disrupts the accumulation of fibrous debris

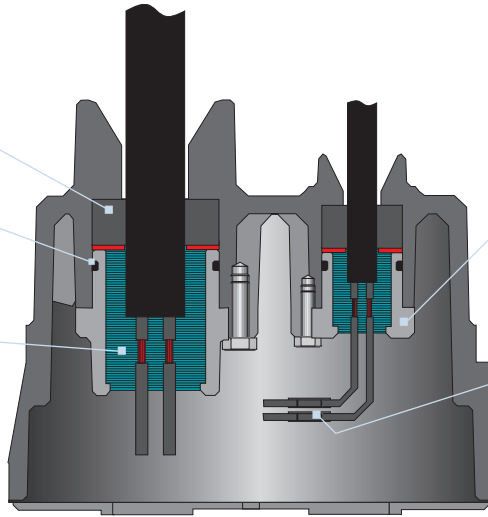
- **Replaceable wear components** maintains working clearances while reducing casing and volute costs



# Model DLFU, DLKFU, DDLFU

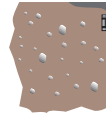
## Cable Entry System

- Primary seal – grommet (NBR)
- Secondary sealing – O-rings (NBR)
- Epoxy resin – prevents capillary action
- Solid joint butt connector (copper)
- Cable gland (grey cast iron)
- Solid joint butt connector (copper)



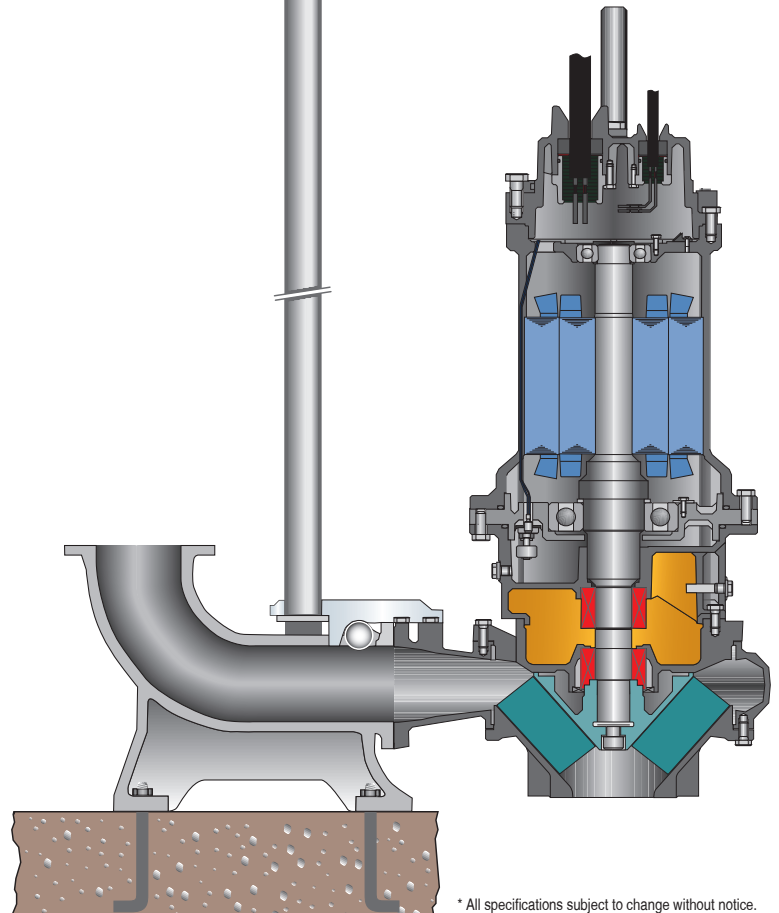
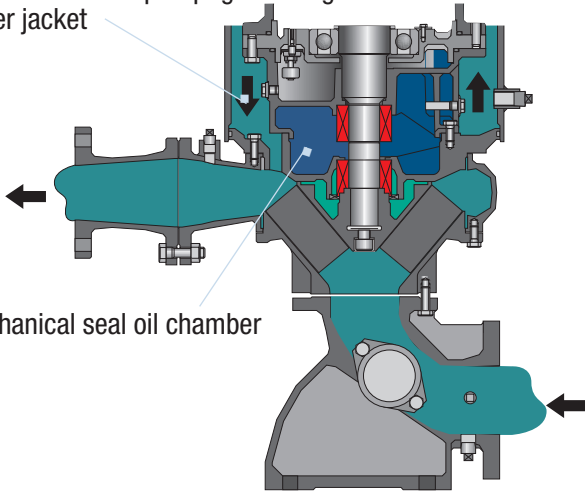
*Note:* Entry system is the same for both power and control cables.

## QDC & Slide Rail System



## DDLFU Dry Pit Design

- Motor cooling is provided by internal recirculation of pumpage through water jacket
- Mechanical seal oil chamber



\* All specifications subject to change without notice.



**EBARA Fluid Handling**

1651 Cedar Line Drive • Rock Hill, SC 29730 • t (803) 327 - 5005 • f (803) 327 - 5097

[www.pumpsebara.com](http://www.pumpsebara.com)

© 2010 EBARA International Corporation, All rights reserved.

EFHDLFU1011