

1-1/2" Metallic Models Pro-Series Pumps

1-1/2" Metallic Performance Specifications

Ratio: 1:1
 Maximum Flow: 90-g.p.m. (340.7-l.p.m.)
 Displacement per cycle: 0.64-Gallons (2.42-Liters)
 Air Inlet: (Female) 1/2 - 14 N.P.T.F. - 1
 Fluid Inlet: 1-1/2 11-1/2 N.P.T.F. - 1
 Rp 1-1/2 (1-1/2 - 11 BSP parallel)
 Fluid Outlet: 1-1/2 11-1/2 N.P.T.F. - 1
 Rp 1-1/2 (1-1/2 - 11 BSP parallel)
 Max. operating pressure: 120-psi (8.3-bar)
 Suspended solids max. dia.: 1/4-inch (6.4-mm)

Weight: lbs (kg)
 666150-X-C (aluminum) 51.5 (23.4)
 666151-X-C (stainless steel) 84.5 (38.3)
 666152-X-C (cast iron) 79.5 (36.1)

Note: Add 23-lbs (10.4-kg) for cast iron air motor section

Maximum dry suction lift: ft (m) 19 (5.8)



Ordering Menu

6661X	X	-	X	X	X	-	C
Center Body/ Threads	Fluid Caps/ Manifold Material		Seat Material	Ball Check Material	Diaphragm Material		
5 Aluminum, N.P.T.F.	0 Aluminum (steel hardware)		1 Aluminum	3 Viton	3 Viton		
6 Cast Iron, N.P.T.F.	1 Stainless Steel (steel hardware)		2 316 Stainless Steel	4 PTFE (Teflon)	4 PTFE (Teflon) / Santoprene		
7 Aluminum, BSP	2 Cast Iron (steel hardware)		3 Polypropylene	8 Polyurethane	9 Hytel		
8 Cast Iron, BSP	A Aluminum, (stainless hardware)		4 PVDF	A Stainless Steel	B Santoprene		
	B Stainless Steel (stainless hardware)		5 Carbon Steel	C Hytel	G Nitrile		
	C Cast Iron (stainless hardware)		8 400 Stainless Steel	E Santoprene			
				G Nitrile			

Accessories

Air Line Connection Kit* I Kit No. 66084-1

Kit includes Piggyback Filter/Regulator with gauge, pipe nipple and a 5-foot section of air hose.

Service Repair Kits | Kit No. 637118-C (air section)
 Kit No. 637124-XX (fluid section)

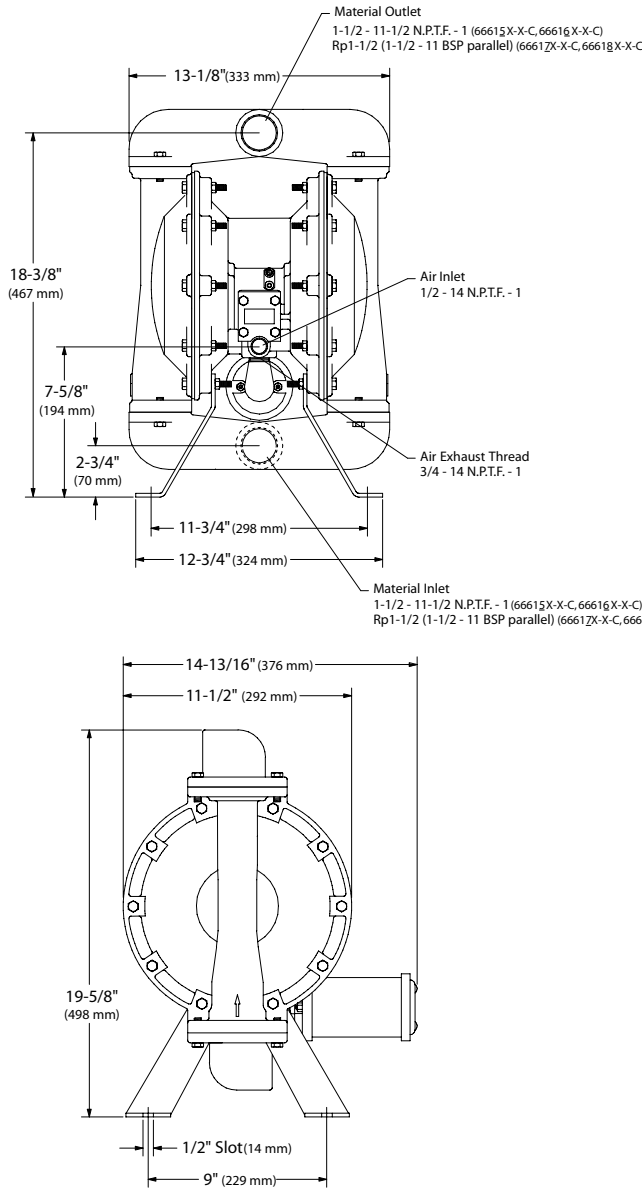
Wall Mount I 62133

*Please note pumps are not included with these kits.

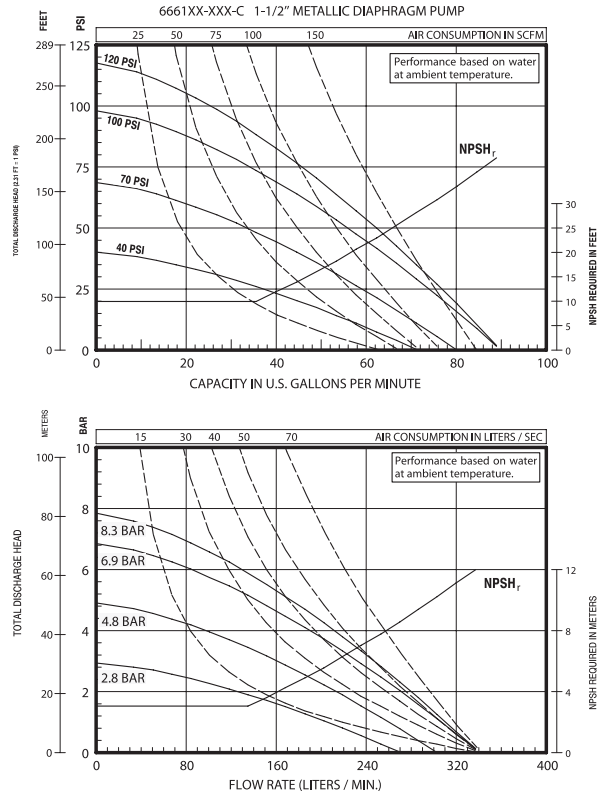
1-1/2" Metallic Dimensions and Flow Curves Pro-Series Pumps

1-1/2" Metallic Dimensions and Flow Charts

(Dimensions shown are for reference only, they are displayed in inches and millimeters (mm)).



PERFORMANCE CURVES



Refer to www.fluids.ingersollrand.com for full size flow curves.

For additional information contact technical support at (801) 316-0747

METALLIC