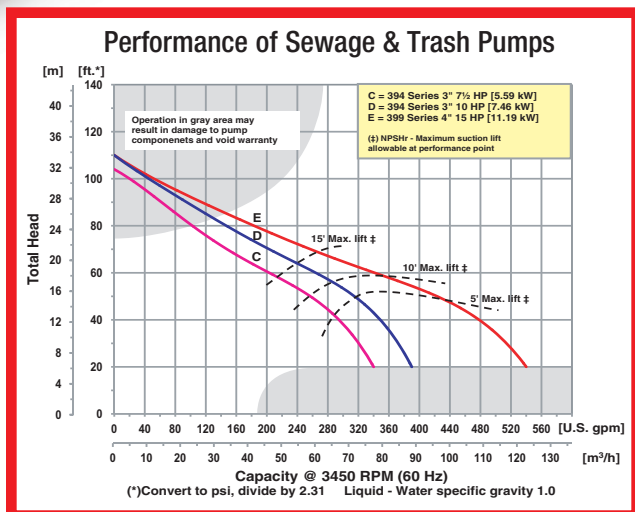
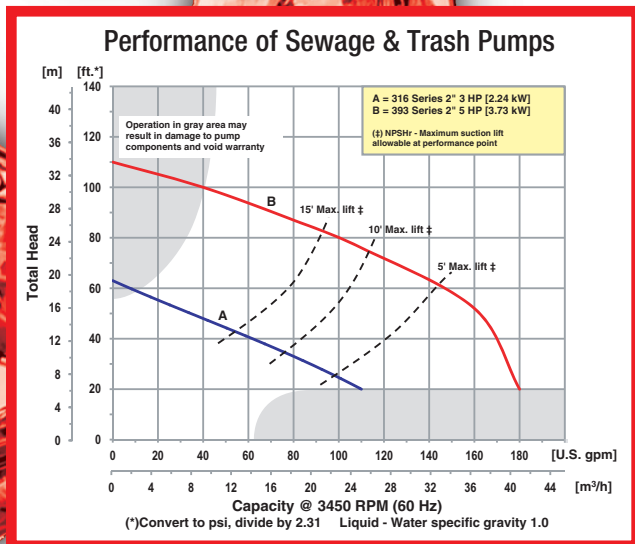


Model  
316A-95

Model  
394G-95

# Self-Priming Cast Iron Sewage & Trash Pumps

- **Cast Iron Construction**
- **Silicon Carbide/Viton® Mechanical Seal**
- **2", 3" & 4" NPT Ports Sizes**
- **Maximum Temperature 180° F**
- **Self-Priming to 20 Ft.**
- **Stainless Steel Semi-Open, Clog Resistant Impeller**
- **Solids Handling and Dirty Water Design**
- **Buna-N Check Valve and O-Ring**
- **Removable Cast Iron Volute/Wearplate**
- **Easy Cleanout Design**
- **3" & 4" Models Feature Front Cleanout**
- **Pull-from-Rear Design**
- **Available with 3 to 15 HP Totally Enclosed Fan Cooled (TEFC) Electric Motors**



AMT Cast Iron Sewage/Trash pumps are designed for trouble free and economical handling of solids laden liquids and slurries. Pumps are available in three NPT port sizes: 2", 3" or 4". Cast iron construction with two vane stainless steel self-cleaning impellers, silicon carbide mechanical seals for abrasion resistance and Buna-N O-rings and check valves. Built-in check valve allows pump to reprime automatically in an open system without the foot valve. The solids handling capabilities of the pumps make them ideally suited for a variety of industrial applications including: sewage treatment, canneries, chemical processing, wineries, tanneries, meat packing, breweries, pulp, wood chips, process water, sludge and slime, waste water, white water and other applications. These sewage/trash pumps will easily handle liquids containing sewage, stones, sticks, mud and other solids. Minimum liquid requirement must be above 85% – maximum 15% solids. **Failure to do so may damage pump and void warranty.**

SELF-PRIMING SEWAGE & TRASH PUMPS



# Self-Priming Sewage/Trash Pumps

## Pump Dimensional & Specification Data

Model	HP	SUC*	DIS*	A**	B	C**	D	E	F	G	J**	K	L**	W**	H	Ship Wt. (Lbs.)
316B-95	3	2	2	2.5 [6.3]	2.1 [5.3]	3.8 [9.6]	4.0 [10.1]	4.8 [12.2]	3.1 [7.8]	6.1 [15.5]	11.1 [28.2]	2.4 [6.1]	20.3 [51.5]	9.3 [23.6]	8.8 [22.3]	94
316A-95				2.5 [6.3]	2.1 [5.3]	3.8 [9.6]	4.0 [10.1]	4.8 [12.2]	3.1 [7.8]	6.1 [15.5]	11.1 [28.2]	2.4 [6.1]	19.9 [50.5]	9.3 [23.6]	8.8 [22.3]	87
393B-95	5	2	2	3.8 [9.6]	2.1 [5.3]	5.5 [14.0]	5.2 [13.2]	4.8 [12.2]	3.1 [7.8]	6.9 [17.5]	14.8 [27.6]	4.4 [11.1]	27.4 [69.6]	13.4 [34.0]	10.0 [25.4]	189
393A-95				3.8 [9.6]	2.1 [5.3]	5.5 [14.0]	5.2 [13.2]	4.8 [12.2]	3.1 [7.8]	6.9 [17.5]	14.8 [27.6]	4.4 [11.1]	24.9 [63.2]	12.3 [31.2]	10.0 [25.4]	173
394H-95	7½	3	3	4.3 [10.9]	3.5 [8.9]	5.5 [14.0]	6.1 [15.5]	9.0 [22.9]	8.1 [20.6]	11.8 [30.0]	19.0 [48.3]	3.7 [9.4]	30.5 [77.5]	15.5 [39.4]	15.1 [38.4]	295
394G-95				3.8 [9.6]	3.5 [8.9]	5.5 [14.0]	6.1 [15.5]	9.0 [22.9]	8.1 [20.6]	11.8 [30.0]	18.3 [46.5]	3.7 [9.4]	29.0 [73.7]	13.5 [34.3]	15.1 [38.4]	245
394K-95	10	3	3	4.3 [10.9]	3.5 [8.9]	7.0 [17.7]	6.1 [15.5]	9.0 [22.9]	8.1 [20.6]	11.8 [30.0]	20.0 [50.8]	3.7 [9.4]	33.6 [85.3]	15.5 [39.4]	15.1 [38.4]	360
394J-95				4.3 [10.9]	3.5 [8.9]	7.0 [17.7]	6.1 [15.5]	9.0 [22.9]	8.1 [20.6]	11.8 [30.0]	20.0 [50.8]	3.7 [9.4]	32.7 [83.1]	14.3 [36.3]	15.1 [38.4]	270
399D-95	15	4	4	4.3 [10.9]	3.5 [8.9]	7.0 [17.7]	6.1 [15.5]	9.0 [22.9]	8.1 [20.6]	11.8 [30.0]	20.0 [50.8]	3.7 [9.4]	33.7 [85.6]	14.3 [36.3]	15.1 [38.4]	275

Model	Curve	HP	PH	ENC	Frame	Voltage @ 60 Hz +	Full Load Amps	Max Solids
316B-95	A	3	1	TEFC	56J	230	16	1"
316A-95								
393B-95	B	5	1	TEFC	184JM	230	20	1"
393A-95								
394H-95	C	7½	1	TEFC	215JM	230	31	1½"
394G-95								
394K-95	D	10	1	TEFC	215JM	230	40	1½"
394J-95								
399D-95	E	15	3	TEFC	215JM	230/460	47/24	2"

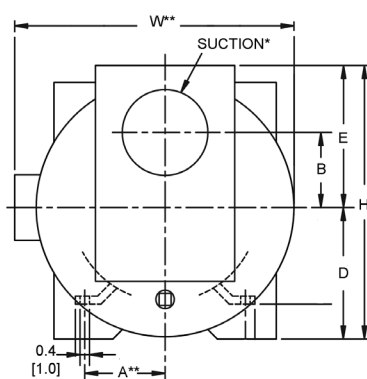
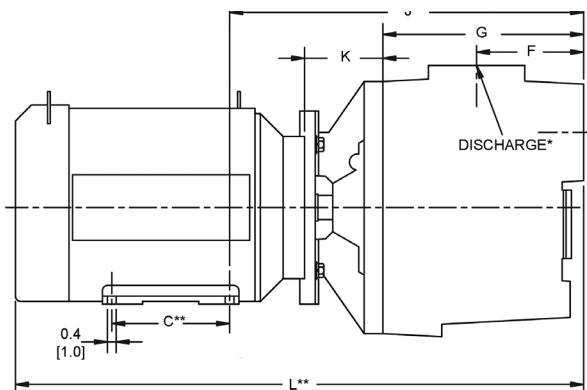
(\*) Standard NPT (Female) pipe thread.

(\*\*) This dimension may vary due to motor manufacturer's specifications.

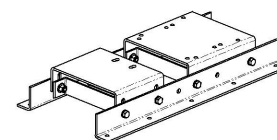
(+) 3-Phase motors can also operate on 50 Hz. (this will change full load amps, service factor and RPM)

NOTE: Dimensions are in inches (centimeters) and have a tolerance of ± 1/4".

NOTE: Electric supply for ALL motors must be within ± 10% of nameplate voltage rating (e.g. 230V ± 10%=207 to 253)



Optional Mounting Base Model A200-90



### Standard Features

- Cast Iron Construction for Abrasive Resistance and Durability
- Silicon Carbide/Viton® Mechanical Seal
- Built-in Buna-N Check Valve
- Buna-N O-ring Casing Seal Reusable After Clean Out Maintenance
- Self-Cleaning Stainless Steel Impeller Resists Clogging and Wear
- Pull-from-Rear Design Permits Clean Out and Repair Without Removing Piping
- 3" & 4" Models Feature Front Cleanout
- Replaceable Cast Iron Volute/Wearplate Designed for Solids Handling
- Motor Includes Stainless Steel Shaft or Stainless Steel Shaft Sleeve
- Available with 3 to 15 HP Totally Enclosed Fan Cooled (TEFC) Electric Motors
- Single or Three Phase, 3450 RPM Motors
- Optional Mounting Base Available for 184/215 JM Frames
- Maximum Working Pressure 150 PSI
- Seal Flush Port Provided on 5 HP and Larger
- Optional Mounting Base Available
- QSP - Quick Ship Pump for Many Models

**Hazardous Duty/Xplosion Proof motors available from stock ranging from 1 to 10 HP; CALL FOR QUOTATION & LEAD TIME!**

