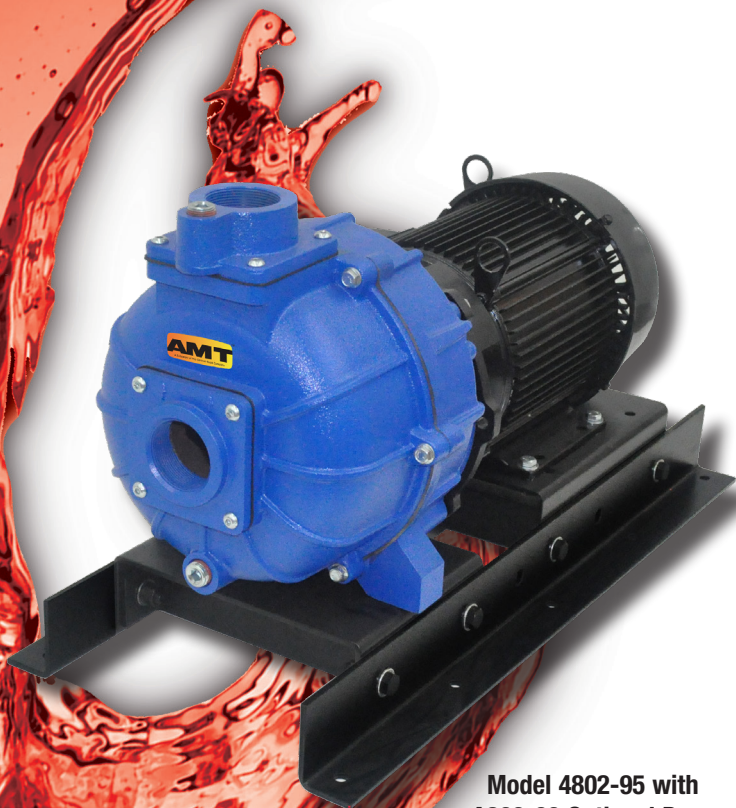


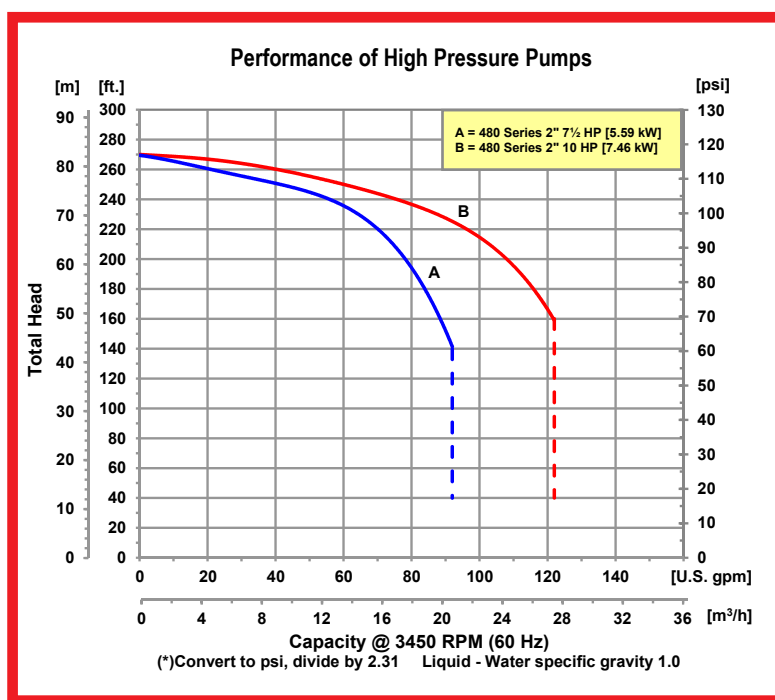
2" Self-Priming High Pressure Pumps

- **Cast Iron Construction with Aluminum Impellers**
- **Viton Mechanical Seal with EPR/EPDM Check Valve and O-Rings**
- **2" NPT Suction and Discharge Ports**
- **Maximum Temperature 180°F**
- **Max Flow 122 GPM**
- **Max Head 270 Ft. (116 psi)**
- **Self-Priming to 20 ft.**
- **Closed Vane Aluminum Impeller Designed for High Pressure Performance**
- **7-1/2 to 10 HP TEFC, Single and Three Phase Motors**
- **Optional Mounting Base Available (A200-90)**



Model 4802-95 with A200-90 Optional Base

AMT 2" Self Priming High Pressure Pumps are self-priming high pressure booster pumps with a two stage impeller design to provide additional pressure. All models feature cast iron construction with aluminum impellers and Viton Mechanical Seals. Built-in EPR/EPDM check valve for fast priming are standard on all units. Fill and drain plugs for easy installation and servicing. These units are self-priming up to 20 feet and are suitable for high pressure applications such as dewatering, sprinkler/booster, irrigation, and fire protection. Units are close coupled and are available in 7-1/2 to 10 horsepower TEFC electric motors.





2" Self-Priming High Pressure Pumps

Pump Dimensional & Specification Data

Model	Curve	HP	PH	SUC*	DIS*	A	B	C	D	L**	W**	H	Ship Wt. (lbs.)
4803-95	A	7½	1	2	2	8.5 [21.6]	7.0 [17.8]	17.0 [43.2]	NA	30.5 [77.5]	15.8 [40.0]	13.6 [34.43]	222
4802-95	A		3			7.5 [19.1]	5.5 [14.0]	16.1 [40.9]	0.75 [1.9]	26.5 [67.3]	14.3 [36.2]	13.6 [34.43]	160
4805-95	B	10	1			8.5 [21.6]	7.0 [17.8]	17.0 [43.2]	NA	30.5 [77.5]	15.8 [40.0]	13.6 [34.43]	305
4804-95	B		3			8.5 [21.6]	7.0 [17.8]	17.0 [43.2]	NA	29.5 [74.9]	14.3 [36.2]	13.6 [34.43]	215

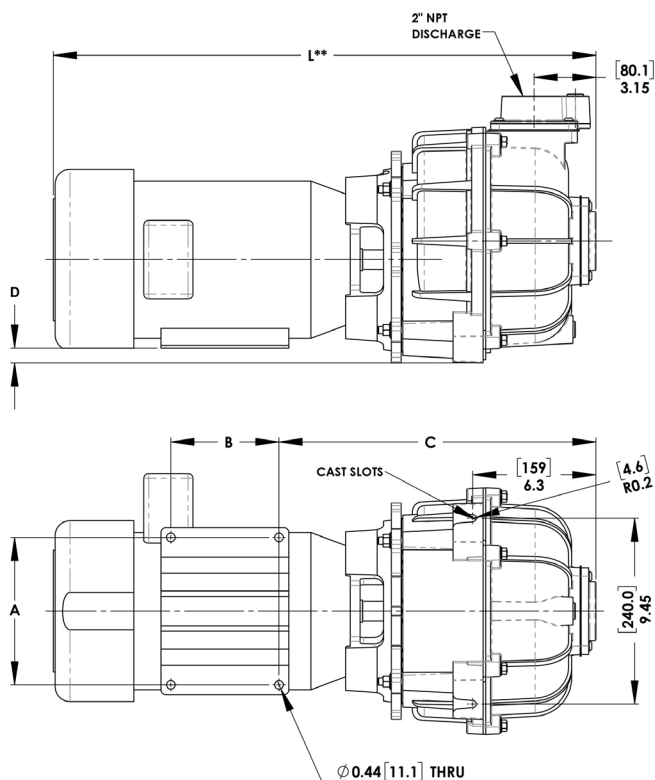
(*) Standard NPT (Female) pipe thread.

(**) This dimension may vary due to motor manufacturer's specifications.

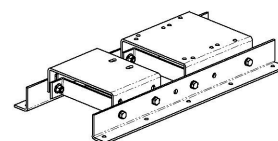
(+) 3-Phase motors can also operate on 50 Hz. (this will change full load amps, service factor and RPM)

NOTE: Dimensions are in inches (centimeters) and have a tolerance of ± 1/4".

NOTE: Electric supply for ALL motors must be within ± 10% of nameplate voltage rating (e.g 230V ± 10%=207 to 253)



Optional Mounting Base Model A200-90



Model	HP	Curve	PH	ENC	Frame	Voltage @ 60 Hz+	Full Load Amps
4803-95	7½	A	1	TEFC	215JM	230	31
4802-95			3	TEFC	184JM	208-230/460	22/11
4805-95	10	B	1	TEFC	215JM	230	40
4804-95			3	TEFC	215JM	208-230/460	26/13

Standard Features

- Cast Iron Construction with Dual Closed Vane Aluminum Impellers
- Viton Mechanical Seal w/ Silicon Carbide and Carbon Faces
- Built in EPR/EDPM Check Valve permits Self-Priming up to 20 Ft.
- Closed Vane Aluminum Impeller design for High Pressure Performance
- Fill and Drain Plugs for Easy Installation and Servicing
- 2" NPT Suction and Discharge Ports
- Maximum Temperature 180°F
- Maximum Working Pressure 150 PSI
- Max Flow 122 GPM
- Max Head 270 Ft. (116 PSI)
- 7-1/2 to 10 HP TEFC, Single and Three Phase Motors
- Optional Mounting Base Available (A200-90) available on all models
- QSP- Quick Ship Product for Many Models

Hazardous Duty/Xplosion Proof Motors Available; CALL FOR QUOTATION & LEAD TIME!

